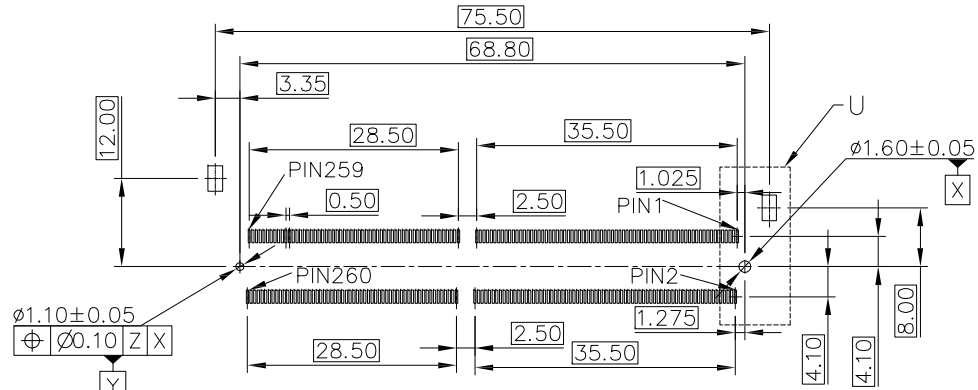
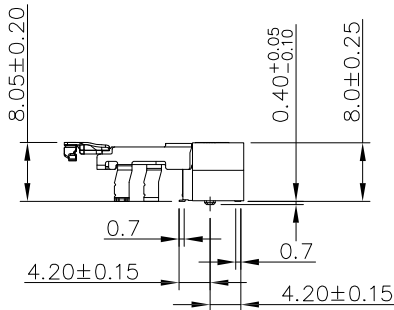
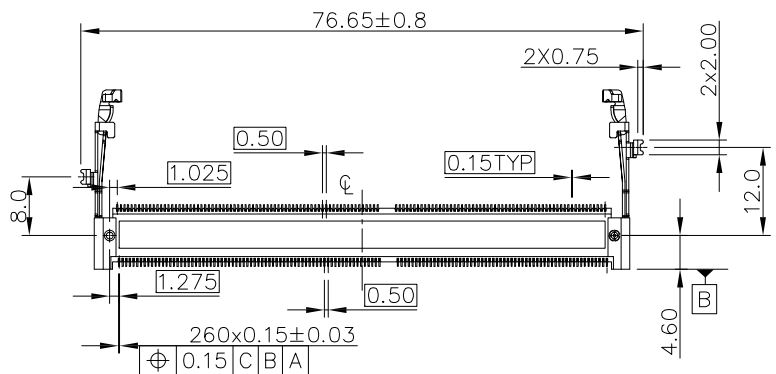
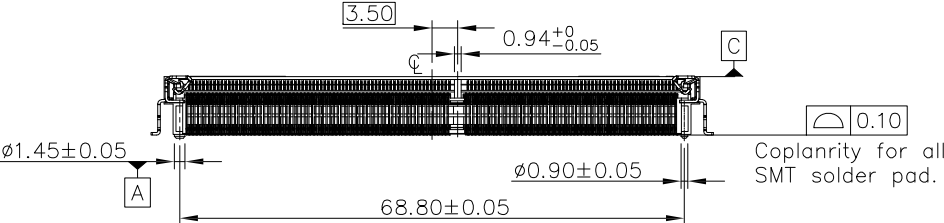
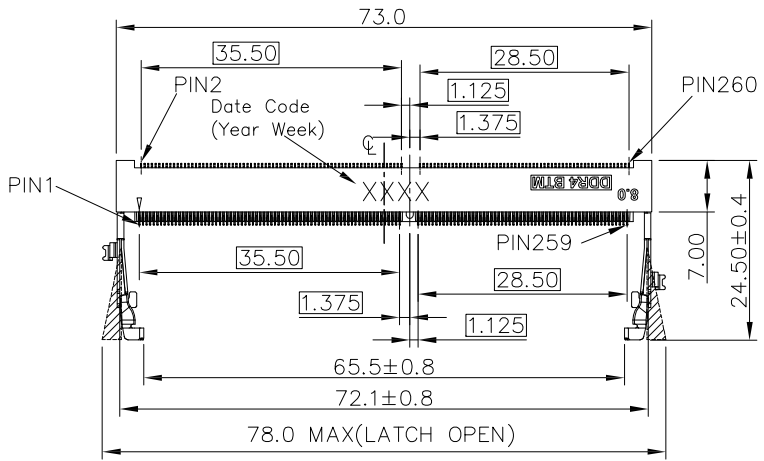



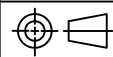
NOTES:

- MATERIAL:
HOUSING :LCP;COLOR:BLACK,UL94 V-0
TERMINAL: PHOSPHOR BRONZE
LATCH:STAINLESS STEEL
- FINISH:
TERMINAL:
NICKEL UNDERPLATING ALL OVER BASE MATERIAL
CONTACT AREA : GOLD PLATING OVER UNDERPLATE
THICKNESS REFER TO PART NO. DESCRIPTION
SOLDER AREA : GOLD FLASH PLATING OVER UNDERPLATE
LATCH:MATTF TIN PLATING OVFR NICKEL.
- PART NO. DESCRIPTION: **8511782-A1B□80A**

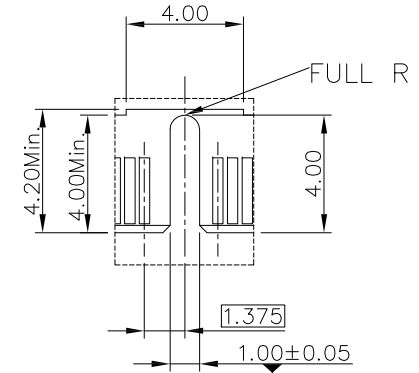
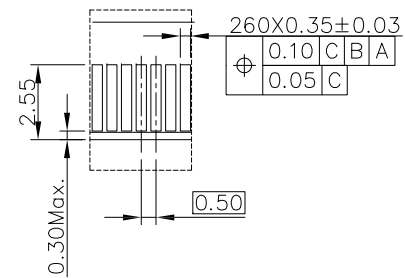
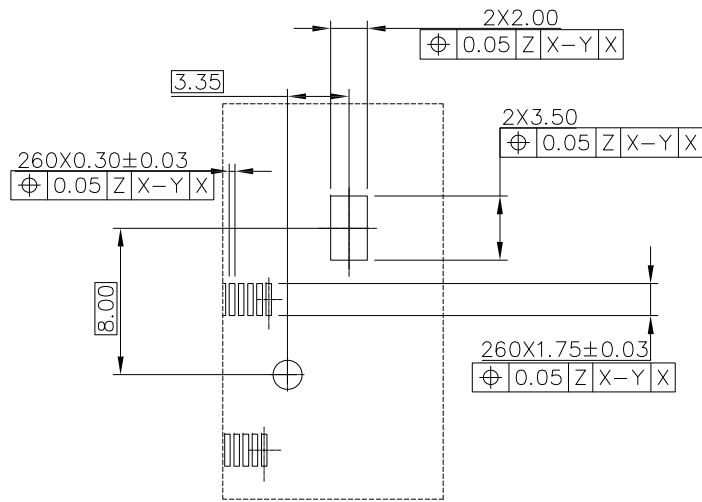
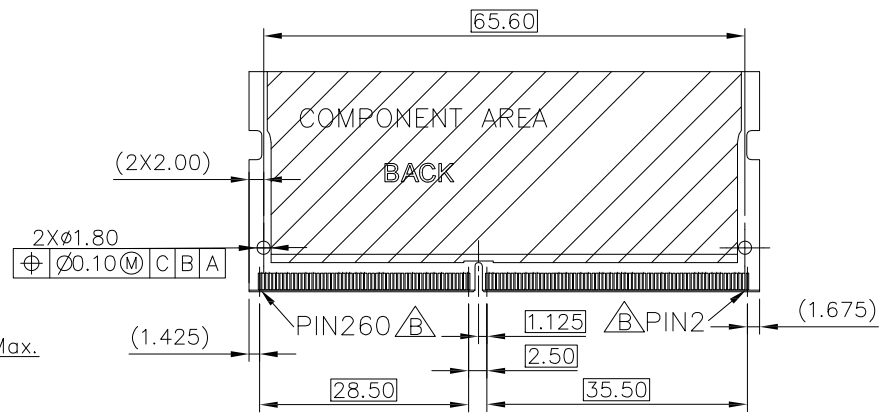
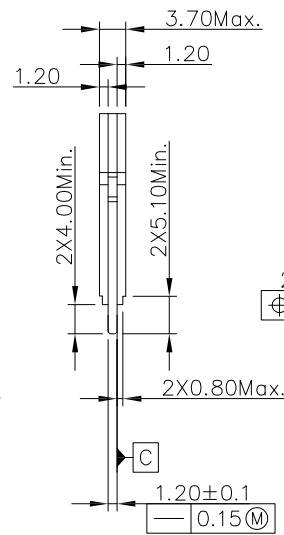
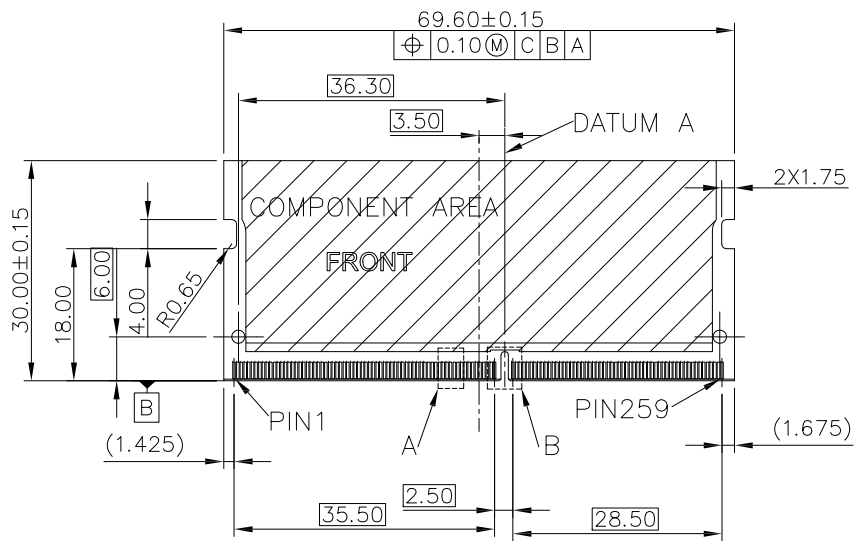
CONTACT AREA PLATING
F=GOLD FLASH
B=5u"GOLD
C=10u"GOLD
D=15u"GOLD
E=30u"GOLD
G=90u"NICKEL ,15u"GOLD



PCB LAYOUT

<p>PROPRIETARY NOTE: This document contains confidential information and proprietary to Rego Electronics and shall not be reproduced or disclosed to other documents or used for any purpose other than that for which was obtained without the expressed written consent of Rego Electronics.</p>			
.X ± 0.30	APPROVED: Chris	 http://www.rego.com.tw	
.XX ± 0.20	CHECKED: Denny		
.XXX± 0.15	DRAWN: Vicky		
X* ± 3'		TITLE: DDR4 REVERSE H8.0	
	UNITS: mm	SCALE: NONE	PART NO: 8511782-A1BF80A
		SHEET: 1 OF 1	

B	03.09.2016
REV	DATE


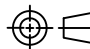


DETAIL U(2.5:1)

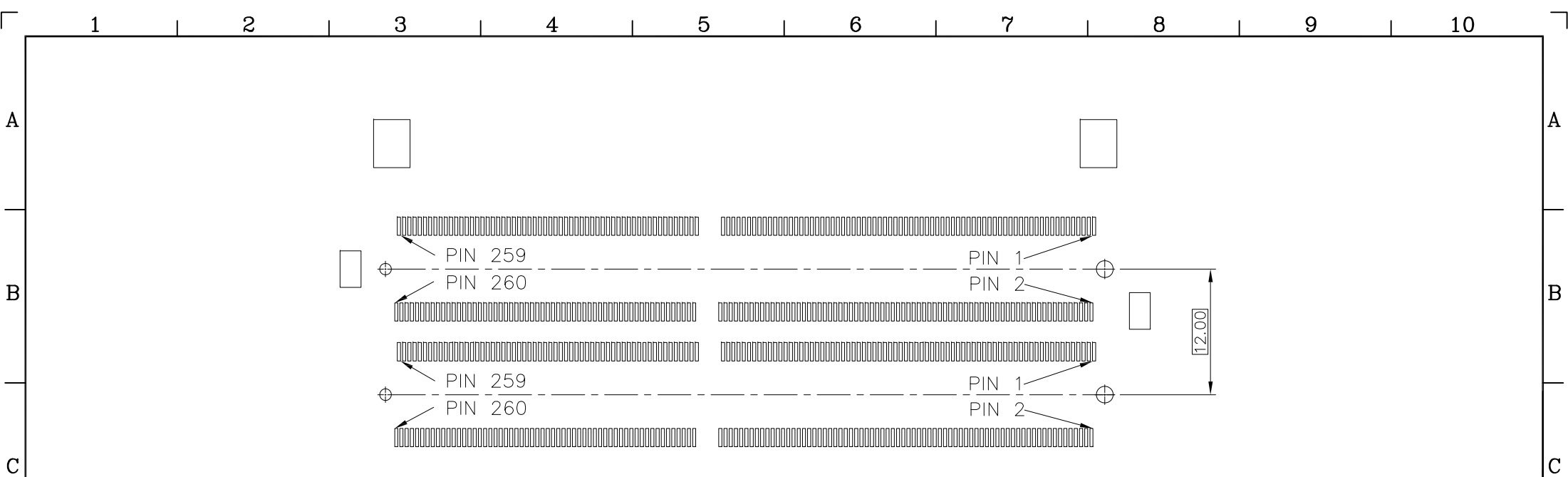
DETAIL A(4:1)

DETAIL B(4:1)

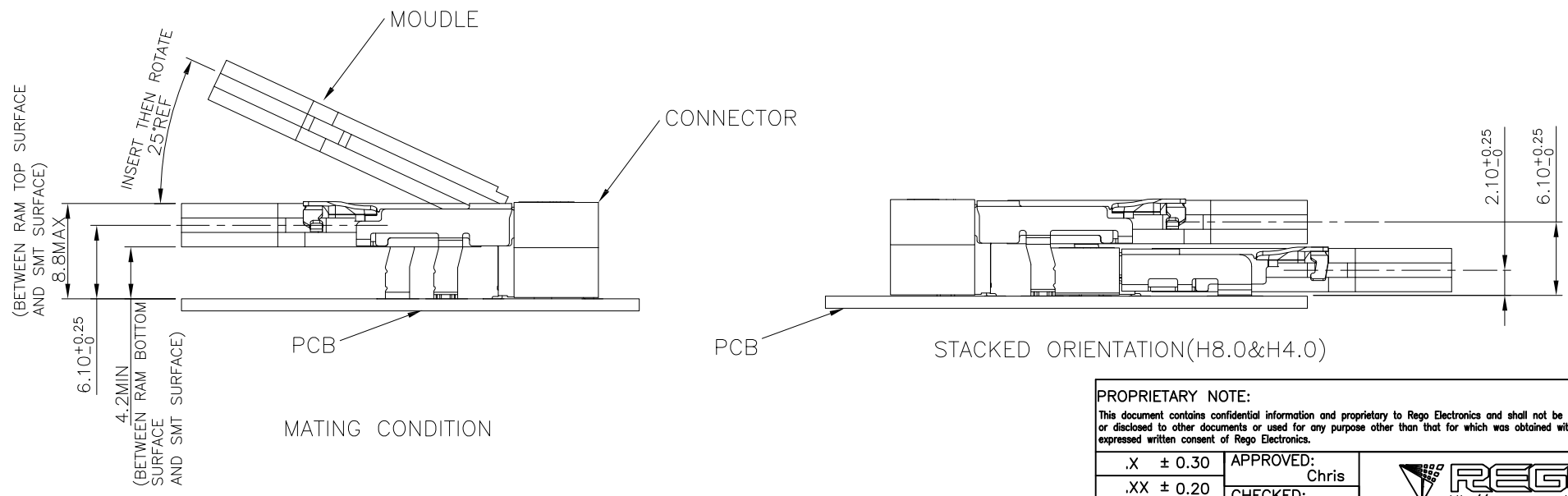
PROPRIETARY NOTE:
This document contains confidential information and proprietary to Rego Electronics and shall not be reproduced or disclosed to other documents or used for any purpose other than that for which was obtained without the expressed written consent of Rego Electronics.

.X ± 0.30	APPROVED: Chris	 http://www.rego.com.tw
.XX ± 0.20	CHECKED: Denny	
.XXX ± 0.15	DRAWN: Vicky	
X* ± 3'	TITLE: DDR4 REVERSE H8.0	
	UNITS: mm	SCALE: NONE
	PART NO: 8511782-A1BF80A	SHEET: 1 OF 1

B	03.09.2016
REV	DATE


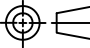


PCB LAYOUT—STACKED REVERSE ORIENTATION



MATING CONDITION

STACKED ORIENTATION(H8.0&H4.0)

PROPRIETARY NOTE: This document contains confidential information and proprietary to Rego Electronics and shall not be reproduced or disclosed to other documents or used for any purpose other than that for which was obtained without the expressed written consent of Rego Electronics.			
.X ± 0.30	APPROVED: Chris	 http://www.rego.com.tw	
.XX ± 0.20	CHECKED: Denny		
.XXX ± 0.15	DRAWN: Vicky		
X* ± 3'		TITLE: DDR4 REVERSE H8.0	
	UNITS: mm	SCALE: NONE	PART NO: 8511782-A1BF80A
			SHEET: 1 OF 1

B	03.09.2016
REV	DATE