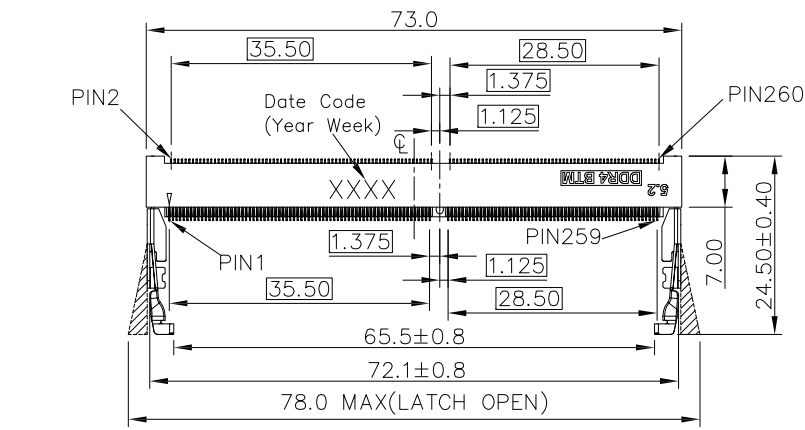


A

A



NOTES:

- MATERIAL:  
HOUSING :LCP;COLOR:BLACK,UL94 V-0  
TERMINAL: PHOSPHOR BRONZE  
LATCH:STAINLESS STEEL
- FINISH:  
TERMINAL:  
NICKEL UNDERPLATING ALL OVER BASE MATERIAL  
CONTACT AREA : GOLD PLATING OVER UNDERPLATE  
THICKNESS REFER TO PART NO. DESCRIPTION  
SOLDER AREA : GOLD FLASH PLATING OVER UNDERPLATE  
LATCH:MATTF TIN PLATING OVFR NICKEL.
- PART NO. DESCRIPTION: 8511782-A1B□52A

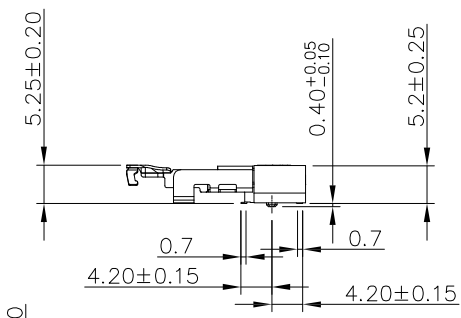
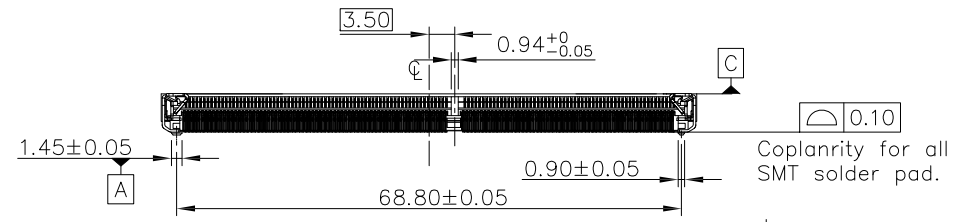
- CONTACT AREA PLATING
- F=GOLD FLASH
- B=5u"GOLD
- C=10u"GOLD
- D=15u"GOLD
- E=30u"GOLD
- G=90u"NICKEL ,15u"GOLD

B

B

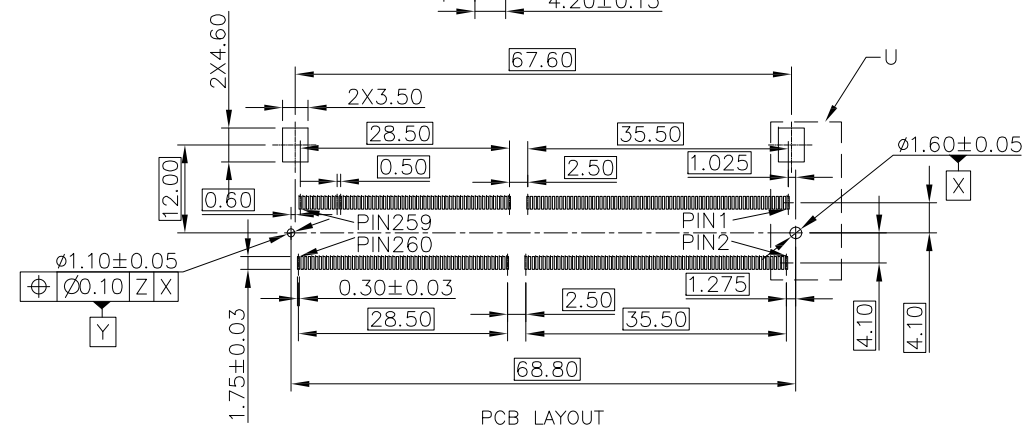
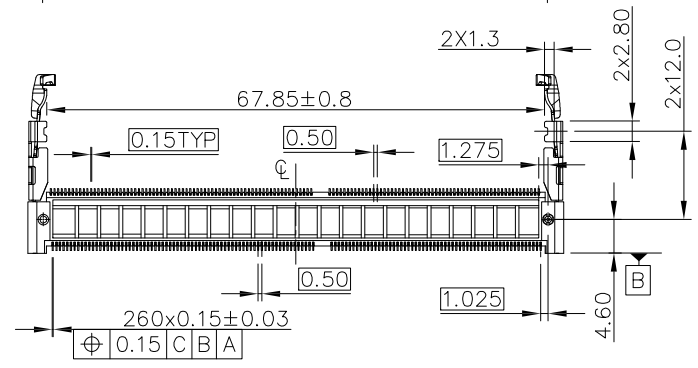
C

C



D

D


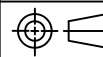


E

E

PCB LAYOUT

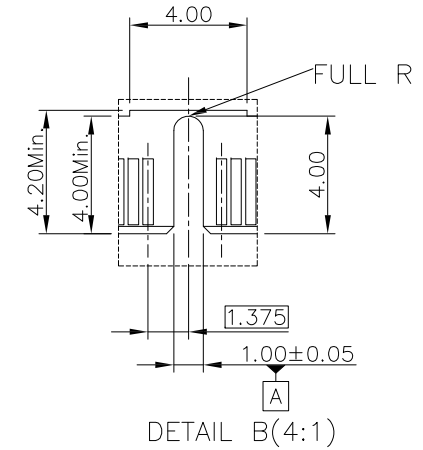
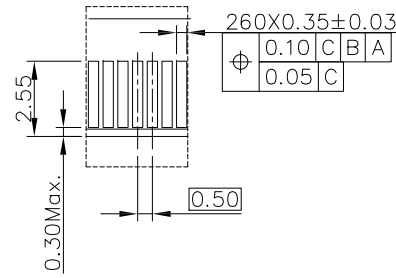
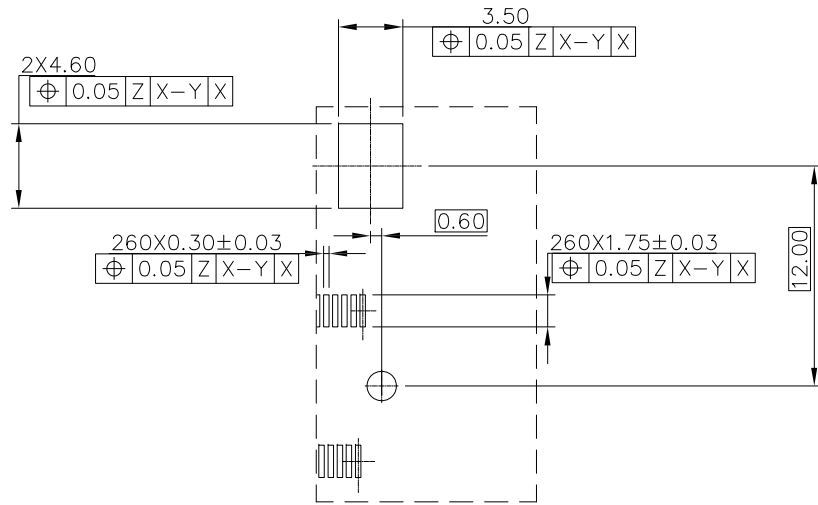
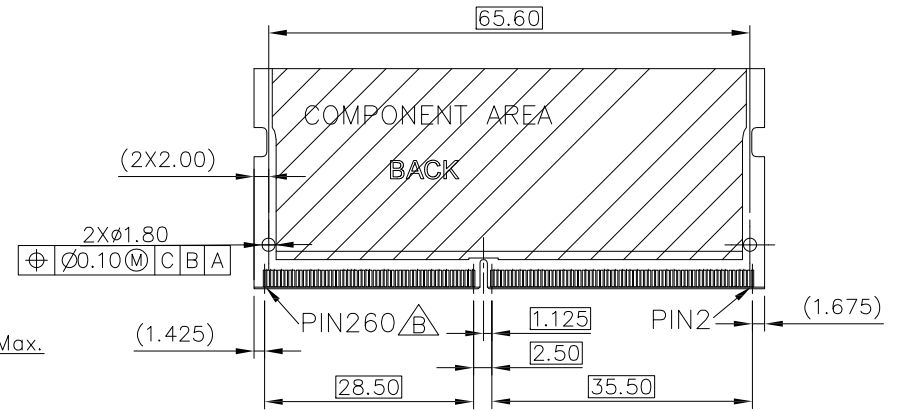
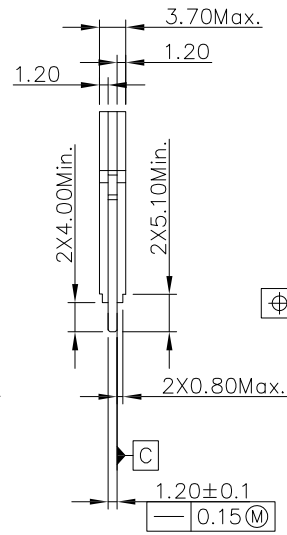
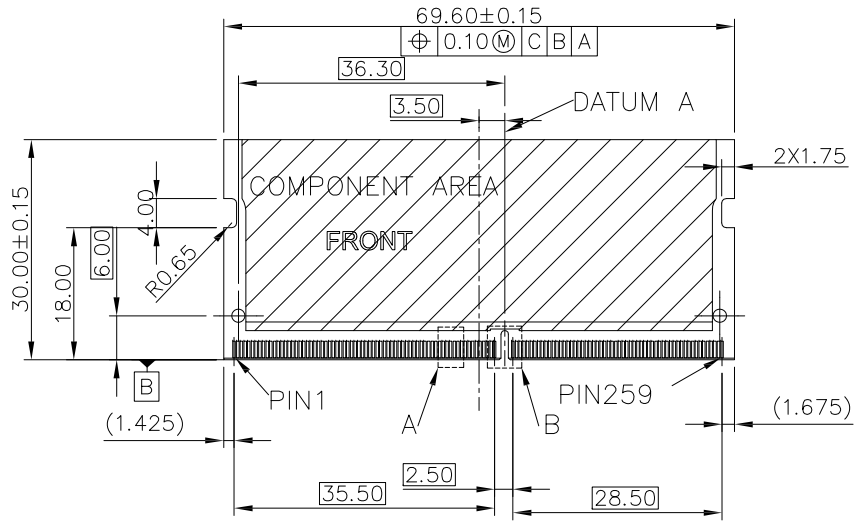
PROPRIETARY NOTE:  
This document contains confidential information and proprietary to Rego Electronics and shall not be reproduced or disclosed to other documents or used for any purpose other than that for which was obtained without the expressed written consent of Rego Electronics.

.X ± 0.30	APPROVED: Chris	 <a href="http://www.rego.com.tw">http://www.rego.com.tw</a>
.XX ± 0.20	CHECKED: Denny	
.XXX ± 0.15	DRAWN: Vicky	
X* ± 3'		
	UNITS: mm	SCALE: NONE
TITLE: DDR4 REVERSE H5.2		PART NO: 8511782-A1BF52A
SHEET: 1		OF 1


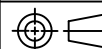
F

F

B	03.09.2016
REV	DATE



B	03.09.2016
REV	DATE

<b>PROPRIETARY NOTE:</b> This document contains confidential information and proprietary to Rego Electronics and shall not be reproduced or disclosed to other documents or used for any purpose other than that for which was obtained without the expressed written consent of Rego Electronics.		
.X ± 0.30	APPROVED: Chris	 <a href="http://www.rego.com.tw">http://www.rego.com.tw</a>
.XX ± 0.20	CHECKED: Denny	
.XXX ± 0.15	DRAWN: Vicky	
X* ± 3'		
	UNITS: mm	SCALE: NONE
TITLE: DDR4 REVERSE H5.2		PART NO: 8511782-A1BF52A
SHEET: 1		OF 1

1 2 3 4 5 6 7 8 9 10

A A

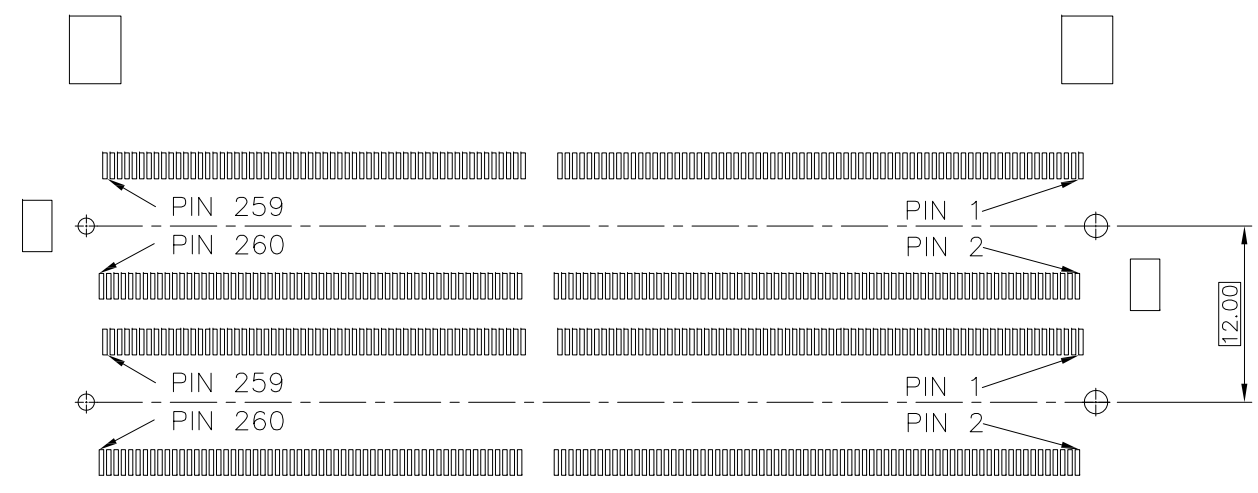
B B

C C

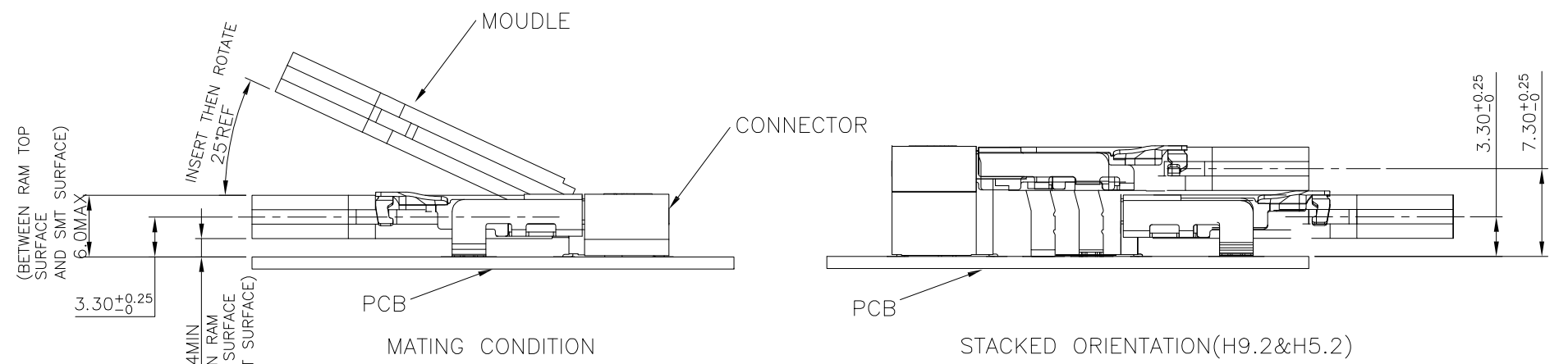
D D

E E


F F



PCB LAYOUT-STACKED REVERSE ORIENTATION  
PCB LAYOUT



B	03.09.2016
REV	DATE

<b>PROPRIETARY NOTE:</b> This document contains confidential information and proprietary to Rego Electronics and shall not be reproduced or disclosed to other documents or used for any purpose other than that for which was obtained without the expressed written consent of Rego Electronics.			
.X ± 0.30	APPROVED: Chris	 <a href="http://www.rego.com.tw">http://www.rego.com.tw</a>	
.XX ± 0.20	CHECKED: Denny		
.XXX ± 0.15	DRAWN: Vicky		
X* ± 3'	UNITS: mm	SCALE: NONE	TITLE: DDR4 REVERSE H5.2
		PART NO: 8511782-A1BF52A	
		SHEET: 1 OF 1	

1 2 3 4 5 6 7 8 9 10