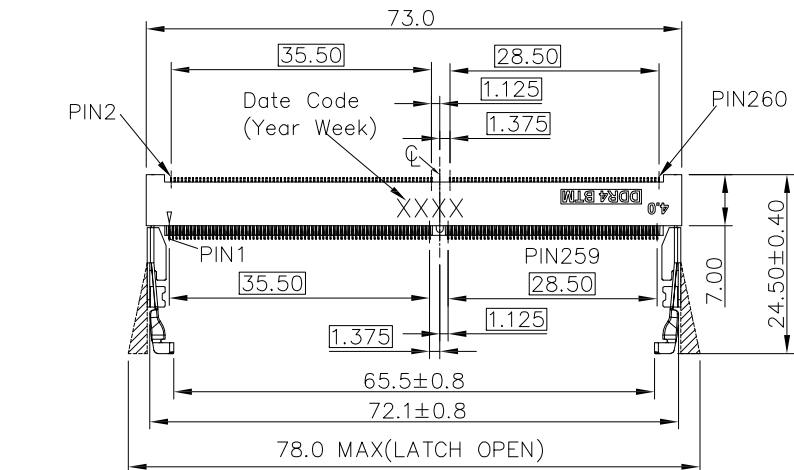


A

A



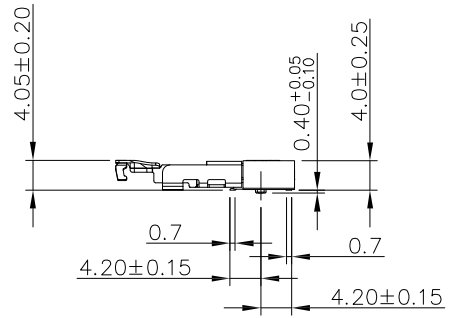
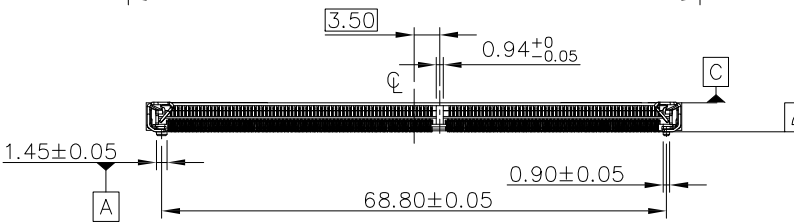
NOTES:

- MATERIAL:
HOUSING :LCP;COLOR:BLACK,UL94 V-0
TERMINAL: PHOSPHOR BRONZE
LATCH:STAINLESS STEEL
- FINISH:
TERMINAL:
NICKEL UNDERPLATING ALL OVER BASE MATERIAL
CONTACT AREA : GOLD PLATING OVER UNDERPLATE
THICKNESS REFER TO PART NO. DESCRIPTION
SOLDER AREA : GOLD FLASH PLATING OVER UNDERPLATE
LATCH:MATTF TIN PLATING OVFR NICKEL.
- PART NO. DESCRIPTION: **8511782-A1B□40A**

- CONTACT AREA PLATING
 F=GOLD FLASH
 B=5u"GOLD
 C=10u"GOLD
 D=15u"GOLD
 E=30u"GOLD
 G=90u"NICKEL ,15u"GOLD

B

B

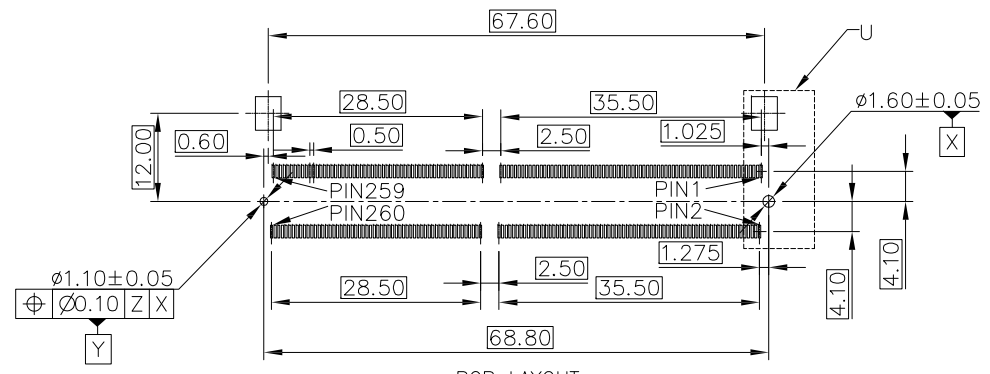
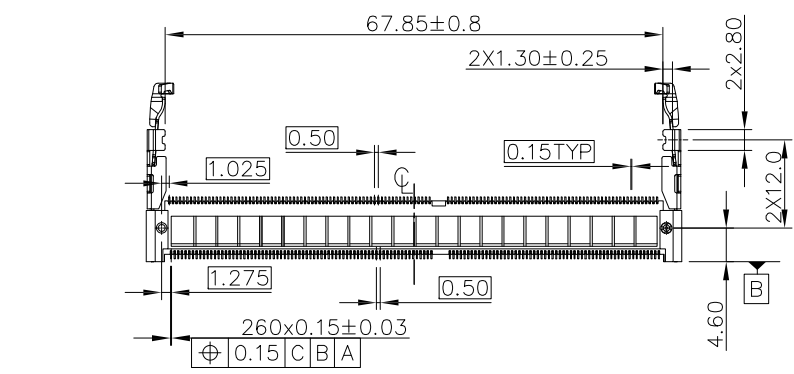


C

C

D



D



PCB LAYOUT

E

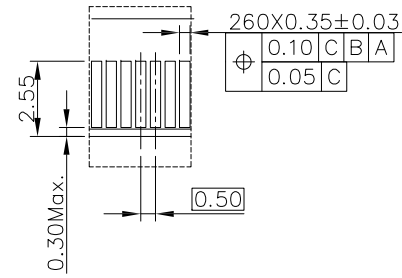
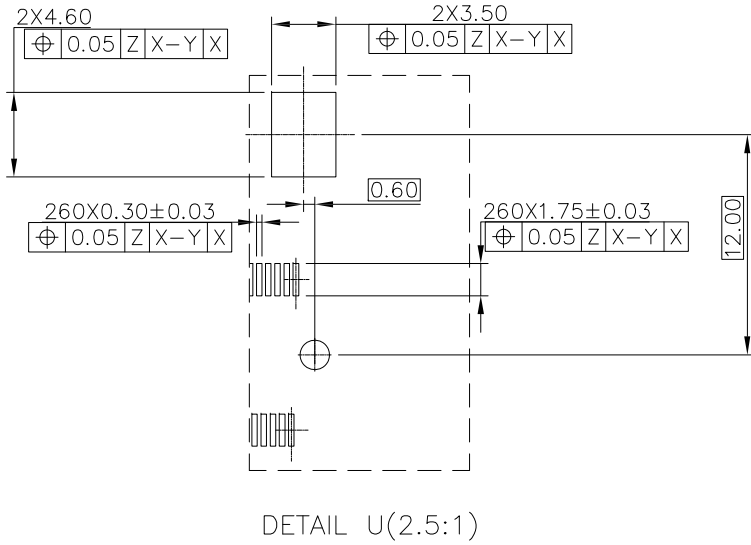
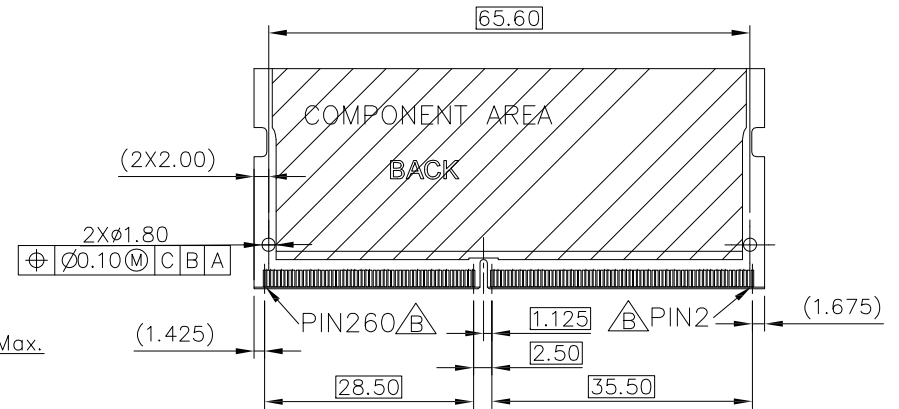
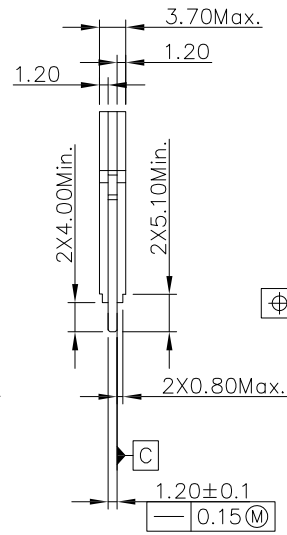
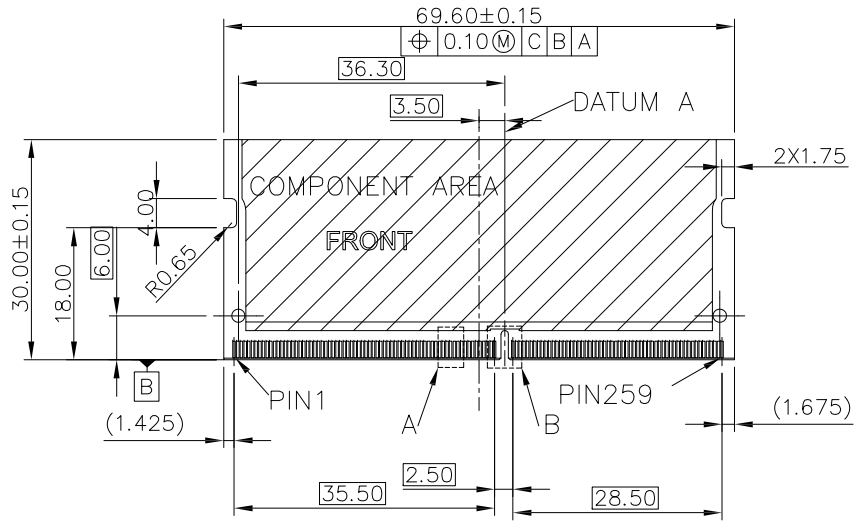
E

PROPRIETARY NOTE: This document contains confidential information and proprietary to Rego Electronics and shall not be reproduced or disclosed to other documents or used for any purpose other than that for which was obtained without the expressed written consent of Rego Electronics.		
.X ± 0.30	APPROVED: Chris	 http://www.rego.com.tw
.XX ± 0.20	CHECKED: Denny	
.XXX± 0.15	DRAWN: Vicky	
X* ± 3'		
 UNITS: mm SCALE: NONE	TITLE: DDR4 REVERSE H4.0	PART NO: 8511782-A1BF 40A
	SHEET: 1 OF 1	

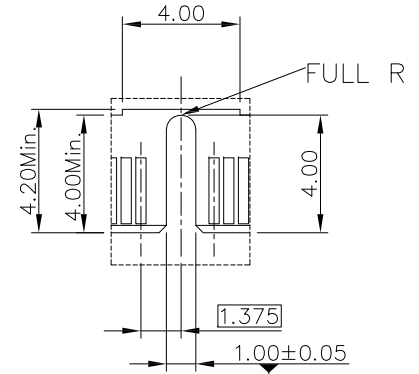
F

F

B	03.09.2016
REV	DATE




DETAIL A(4:1)



DETAIL B(4:1)

B	03.09.2016
REV	DATE

PROPRIETARY NOTE: This document contains confidential information and proprietary to Rego Electronics and shall not be reproduced or disclosed to other documents or used for any purpose other than that for which was obtained without the expressed written consent of Rego Electronics.			
.X ± 0.30	APPROVED: Chris	 http://www.rego.com.tw	
.XX ± 0.20	CHECKED: Denny		
.XXX ± 0.15	DRAWN: Vicky		
X* ± 3'	UNITS: mm	SCALE: NONE	TITLE: DDR4 REVERSE H4.0
		PART NO: 8511782-A1BF 40A	
		SHEET: 1 OF 1	

1 2 3 4 5 6 7 8 9 10

A A

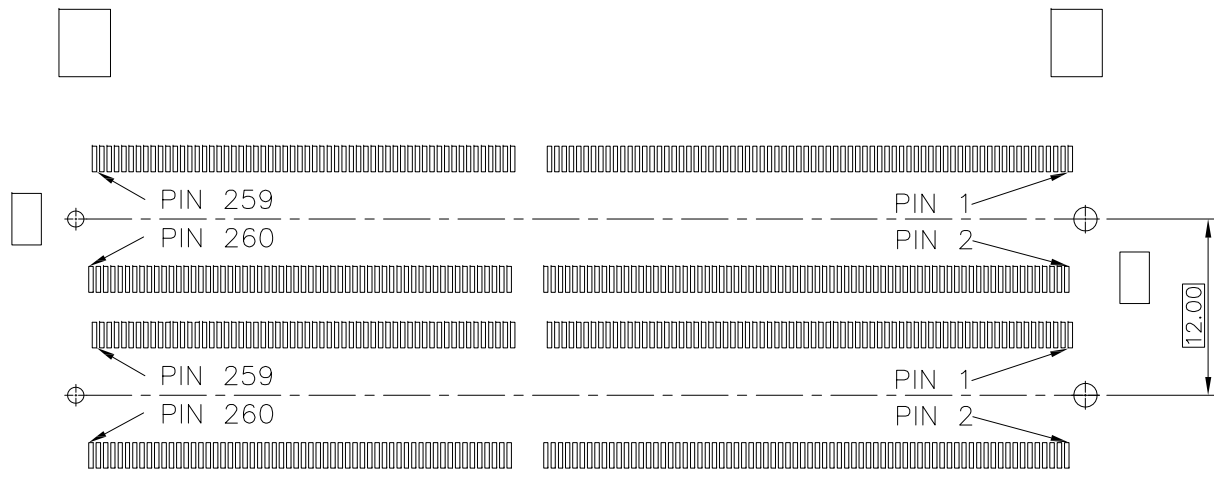
B B

C C

D D

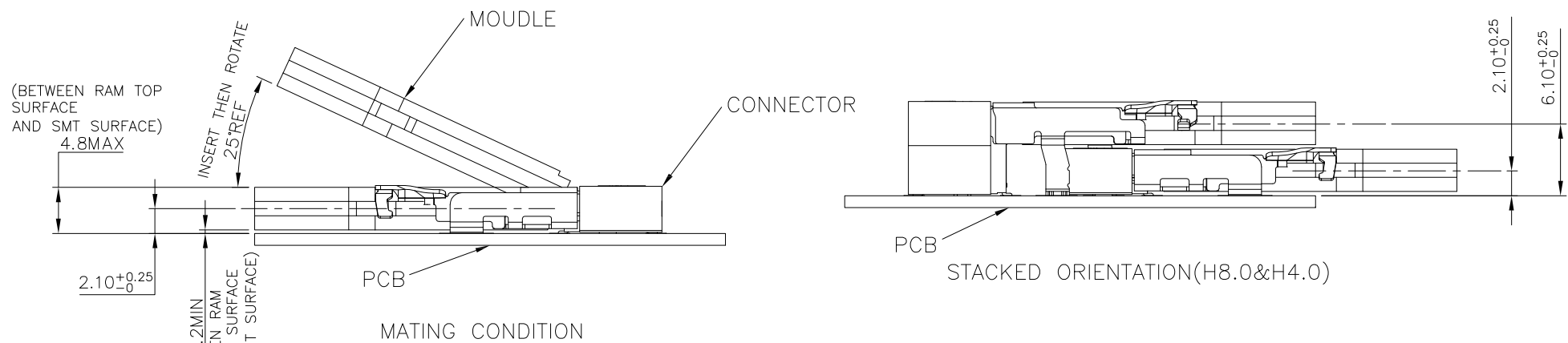
E E

F F




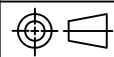
PCB LAYOUT-STACKED REVERSE ORIENTATION

PCB LAYOUT



MATING CONDITION

STACKED ORIENTATION(H8.0&H4.0)

PROPRIETARY NOTE: This document contains confidential information and proprietary to Rego Electronics and shall not be reproduced or disclosed to other documents or used for any purpose other than that for which was obtained without the expressed written consent of Rego Electronics.			
.X ± 0.30	APPROVED: Chris	 http://www.rego.com.tw	
.XX ± 0.20	CHECKED: Denny		
.XXX ± 0.15	DRAWN: Vicky		
X* ± 3'	TITLE: DDR4 REVERSE H4.0	PART NO: 8511782-A1BF40A	
	UNITS: mm	SCALE: NONE	SHEET: 1 OF 1

B	03.09.2016
REV	DATE

1 2 3 4 5 6 7 8 9 10