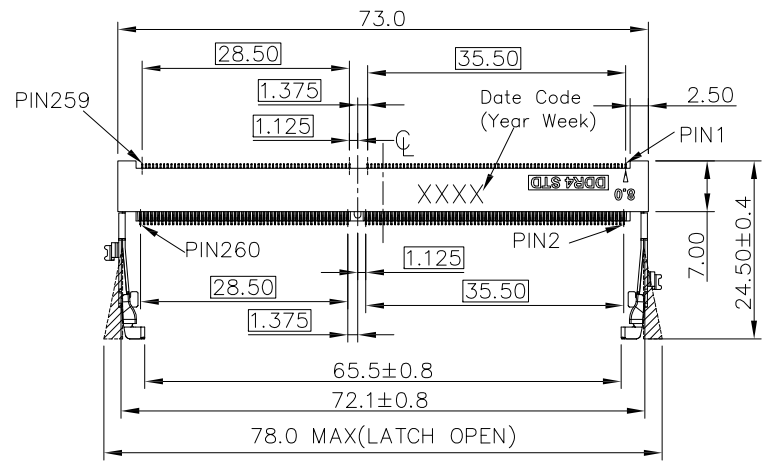


1 2 3 4 5 6 7 8 9 10

A

A



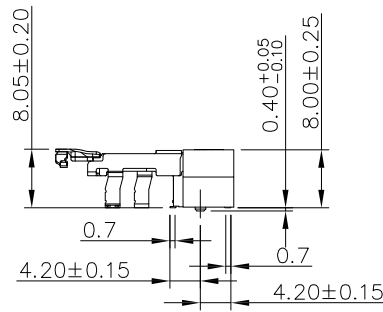
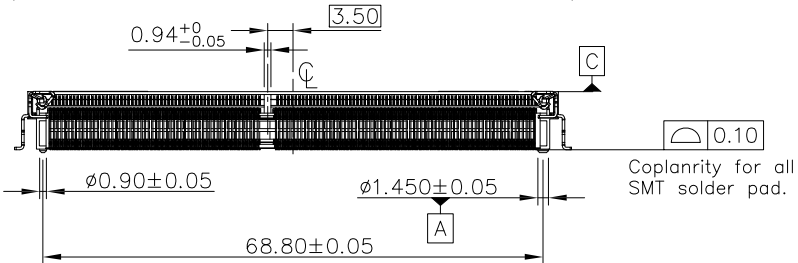
NOTES:

- MATERIAL:  
HOUSING :LCP;COLOR:BLACK,UL94 V-0  
TERMINAL: PHOSPHOR BRONZE  
LATCH:STAINLESS STEEL
- FINISH:  
TERMINAL:  
NICKEL UNDERPLATING ALL OVER BASE MATERIAL  
CONTACT AREA : GOLD PLATING OVER UNDERPLATE  
THICKNESS REFER TO PART NO. DESCRIPTION  
SOLDER AREA : GOLD FLASH PLATING OVER UNDERPLATE  
LATCH:MATTF TIN PLATING OVFR NICKEL.
- PART NO. DESCRIPTION: **8511781-A1B□80A**

- CONTACT AREA PLATING  
 F=GOLD FLASH  
 B=5u"GOLD  
 C=10u"GOLD  
 D=15u"GOLD  
 E=30u"GOLD  
 G=90u"NICKEL ,15u"GOLD

B

B

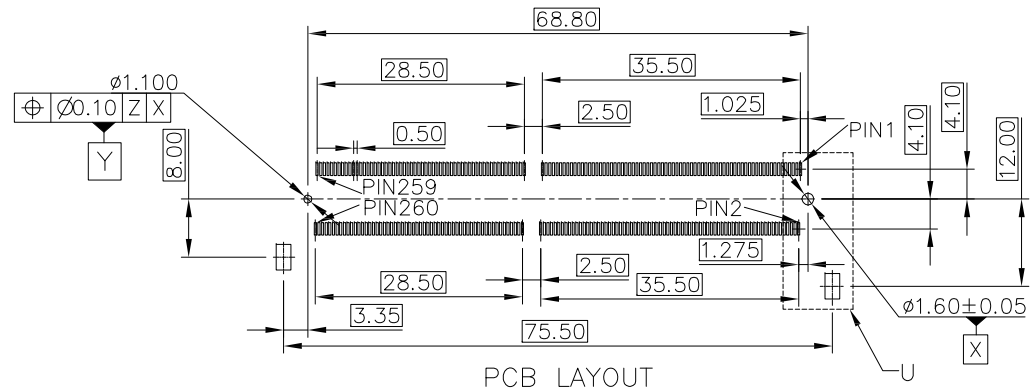
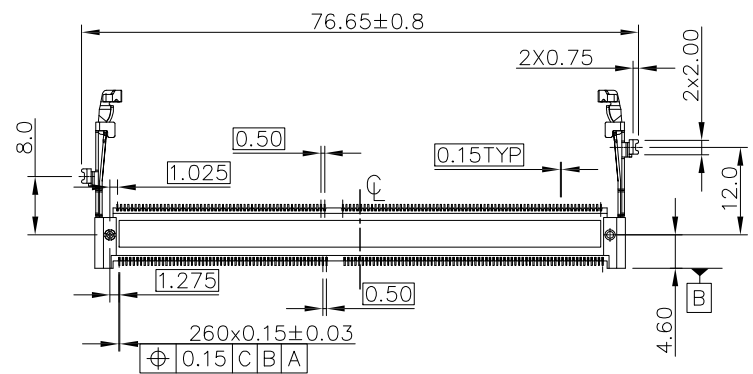


C

C

D


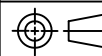
D



E

E

PROPRIETARY NOTE:  
 This document contains confidential information and proprietary to Rego Electronics and shall not be reproduced or disclosed to other documents or used for any purpose other than that for which was obtained without the expressed written consent of Rego Electronics.

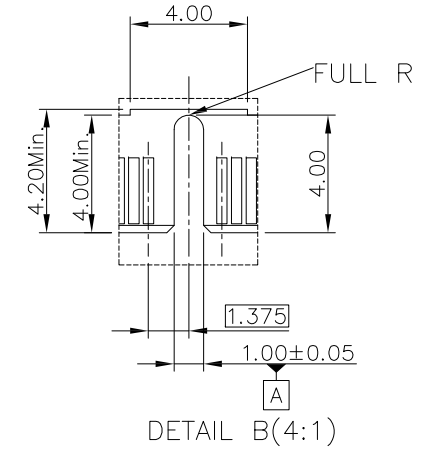
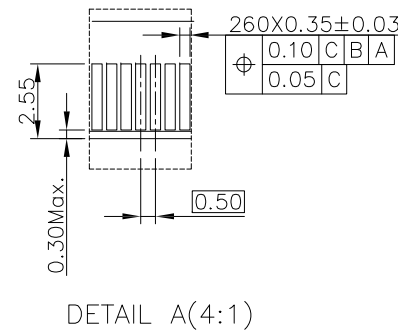
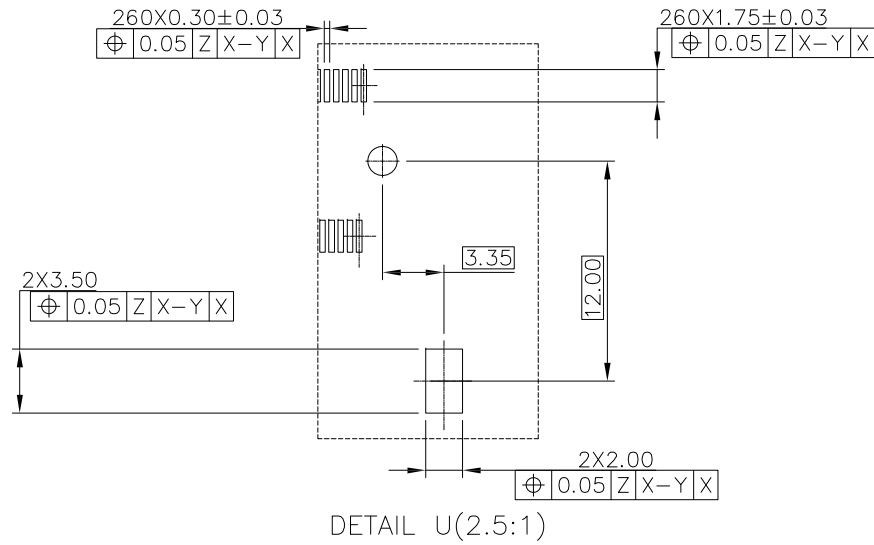
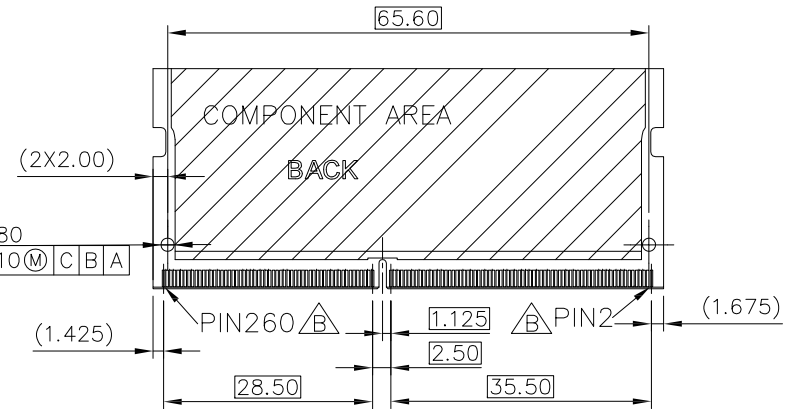
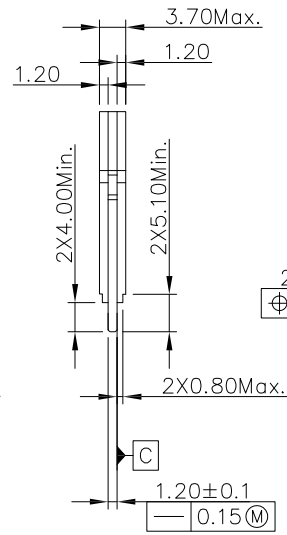
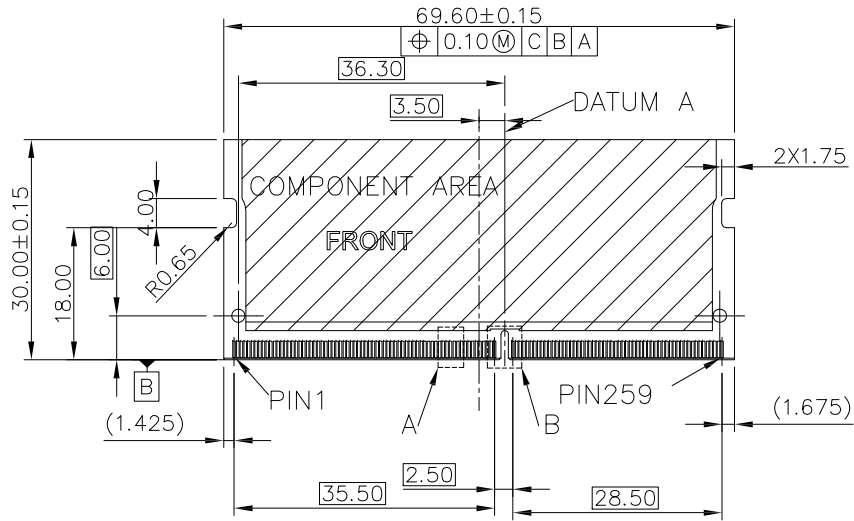
.X ± 0.30	APPROVED: Chris	 <a href="http://www.rego.com.tw">http://www.rego.com.tw</a>
.XX ± 0.20	CHECKED: Denny	
.XXX ± 0.15	DRAWN: Vicky	
X* ± 3'		
	UNITS: mm	SCALE: NONE
TITLE: DDR4 STANDARD H8.0		PART NO: 8511781-A1BF80A
SHEET: 1 OF 1		

F


F

B	03.09.2016
REV	DATE

1 2 3 4 5 6 7 8 9 10



PROPRIETARY NOTE:  
This document contains confidential information and proprietary to Rego Electronics and shall not be reproduced or disclosed to other documents or used for any purpose other than that for which was obtained without the expressed written consent of Rego Electronics.

.X ± 0.30	APPROVED: Chris	 <a href="http://www.rego.com.tw">http://www.rego.com.tw</a>
.XX ± 0.20	CHECKED: Denny	
.XXX ± 0.15	DRAWN: Vicky	TITLE: DDR4 STANDARD H8.0
X* ± 3'	UNITS: mm	PART NO: 8511781-A1BF80A
	SCALE: NONE	SHEET: 1 OF 1

B	03.09.2016
REV	DATE

1 2 3 4 5 6 7 8 9 10

A A

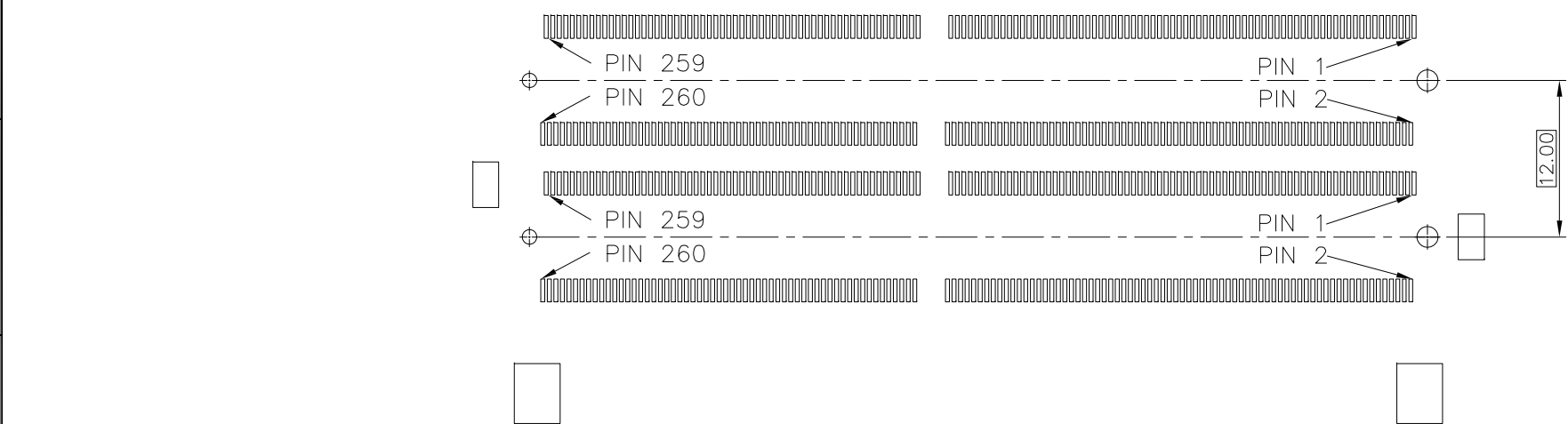
B B

C C

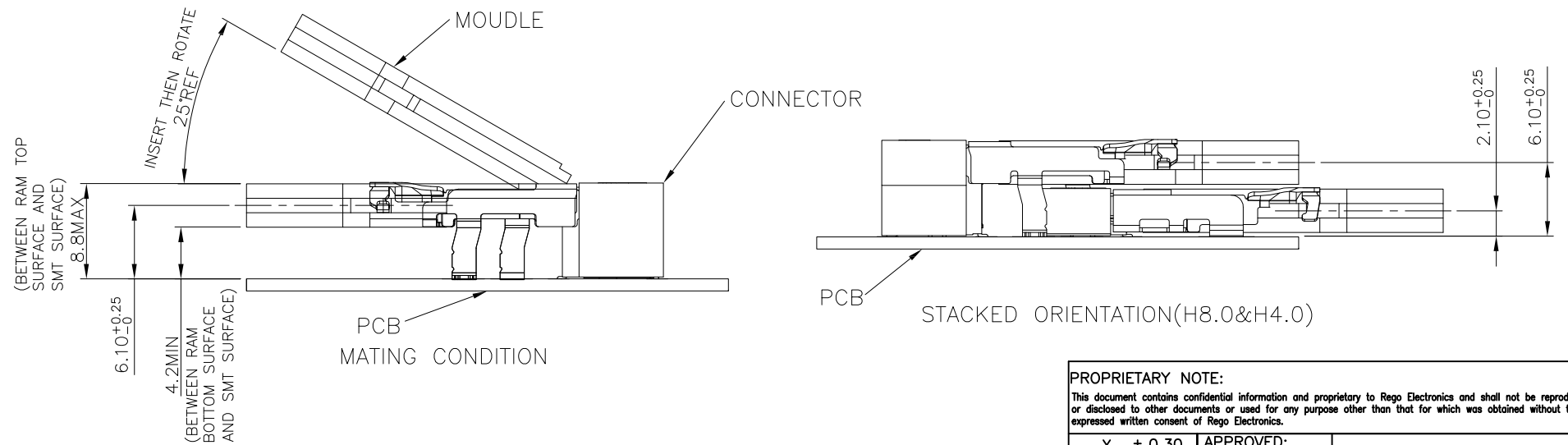
D D

E E

F F



PCB LAYOUT—STACKED STANDARD ORIENTATION


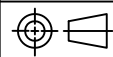


MATING CONDITION

STACKED ORIENTATION(H8.0&H4.0)

B	03.09.2016
REV	DATE

**PROPRIETARY NOTE:**  
This document contains confidential information and proprietary to Rego Electronics and shall not be reproduced or disclosed to other documents or used for any purpose other than that for which was obtained without the expressed written consent of Rego Electronics.

.X ± 0.30	APPROVED: Chris	 <a href="http://www.rego.com.tw">http://www.rego.com.tw</a>	
.XX ± 0.20	CHECKED: Denny		
.XXX ± 0.15	DRAWN: Vicky		
X* ± 3'		TITLE: DDR4 STANDARD H8.0	
	UNITS: mm	SCALE: NONE	PART NO: 8511781-A1BF80A
			SHEET: 1 OF 1

1 2 3 4 5 6 7 8 9 10