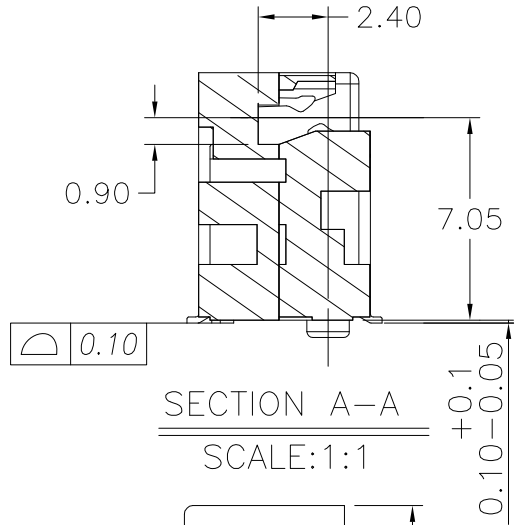
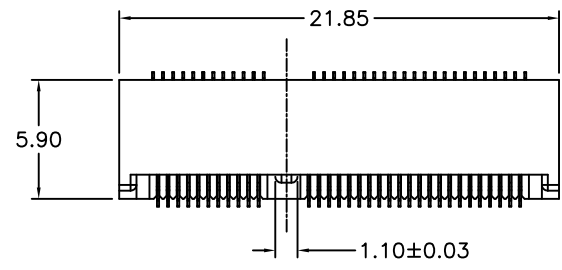


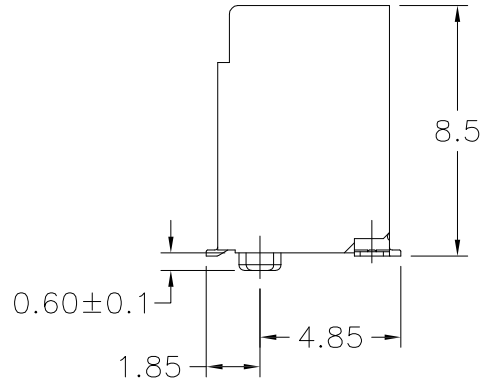
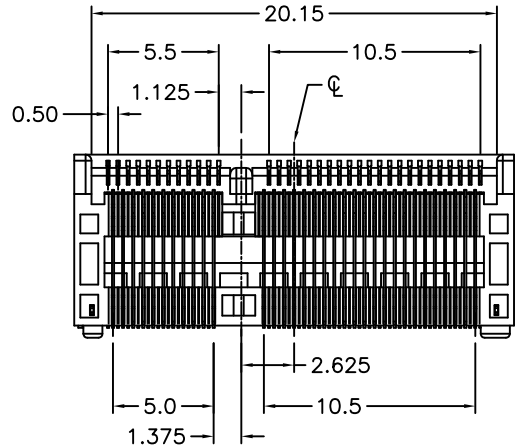
1 2 3 4 5 6 7 8 9 10

A
B
C
D
E
F

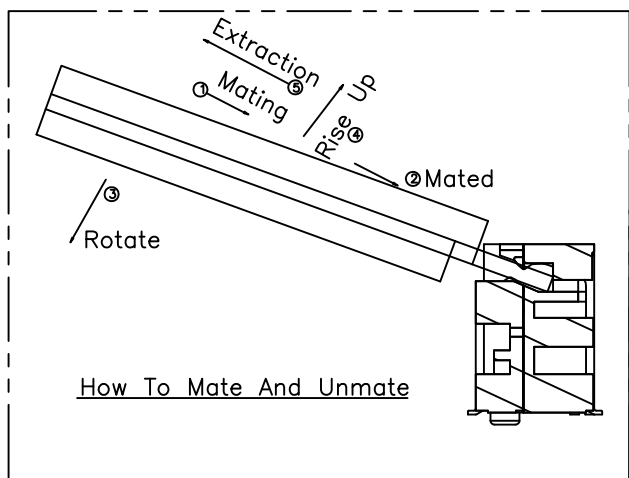
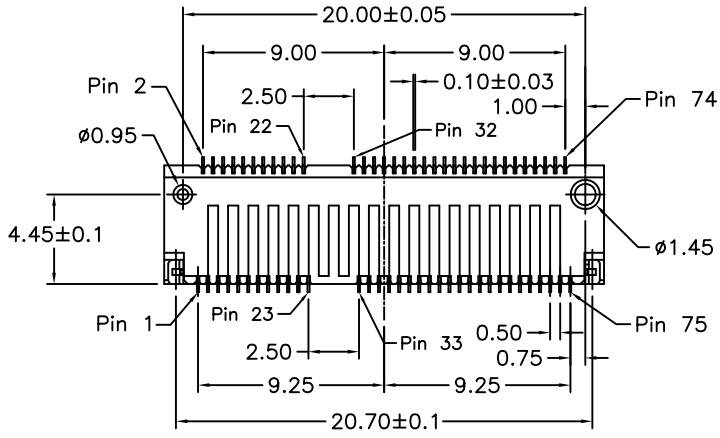
A
B
C
D
E
F




Material:
 Housing: High Temperature Plastic UL94V-0, Black.
 Contacts: Copper Alloy.
 Solder Pad: Metal, Matte Tin Plated.
Electrical Characteristics:
 Current Rating: 0.5 AMP.
 Insulator Resistance: 500MΩ min. at DC 500V.
 Contact Resistance: 55mΩ max.
 Operating Temperature: -40°C~+80°C.
***RoHS Compliant**



Series 8402-67G00E7T
 No. of Pin Count
 G: Gold Plated
 00: G/F
 T: Tape & Reel Package
 7: 8.5mm Height
 E: Key E

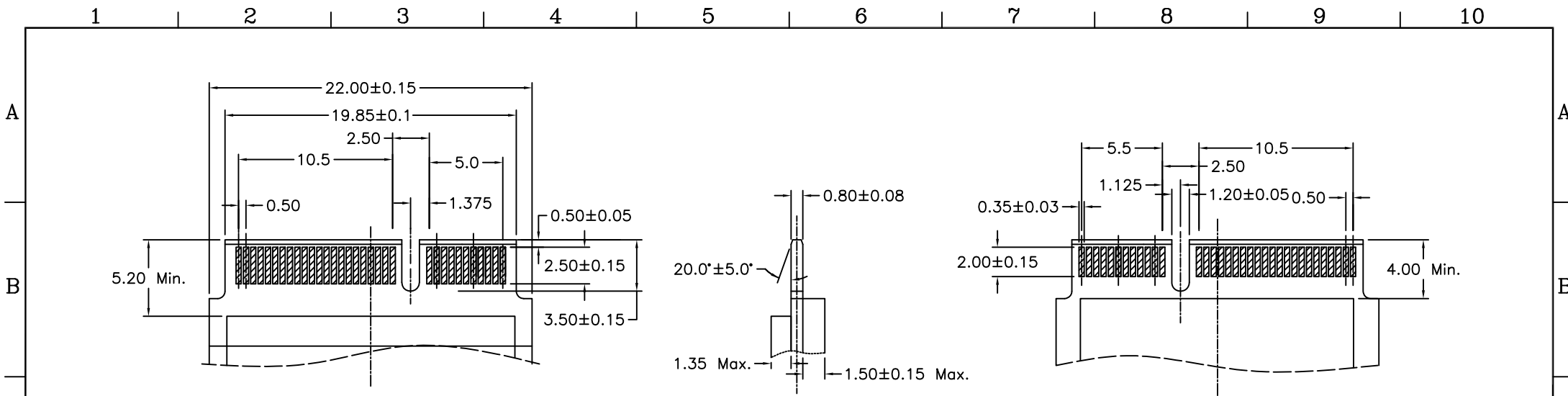


PROPRIETARY NOTE:
 This document contains confidential information and proprietary to Rego Electronics and shall not be reproduced or disclosed to other documents or used for any purpose other than that for which was obtained without the expressed written consent of Rego Electronics.

.X ± 0.30	APPROVED: Chris	
.XX ± 0.20	CHECKED: Denny	
.XXX ± 0.15	DRAWN: Bryan	TITLE: M.2 (NGFF) CONNECTOR 8.5H E KEY
X* ± 3'	UNITS: mm	SCALE: NONE
PART NO: 8038402-67G00E7T		SHEET: 1 OF 2

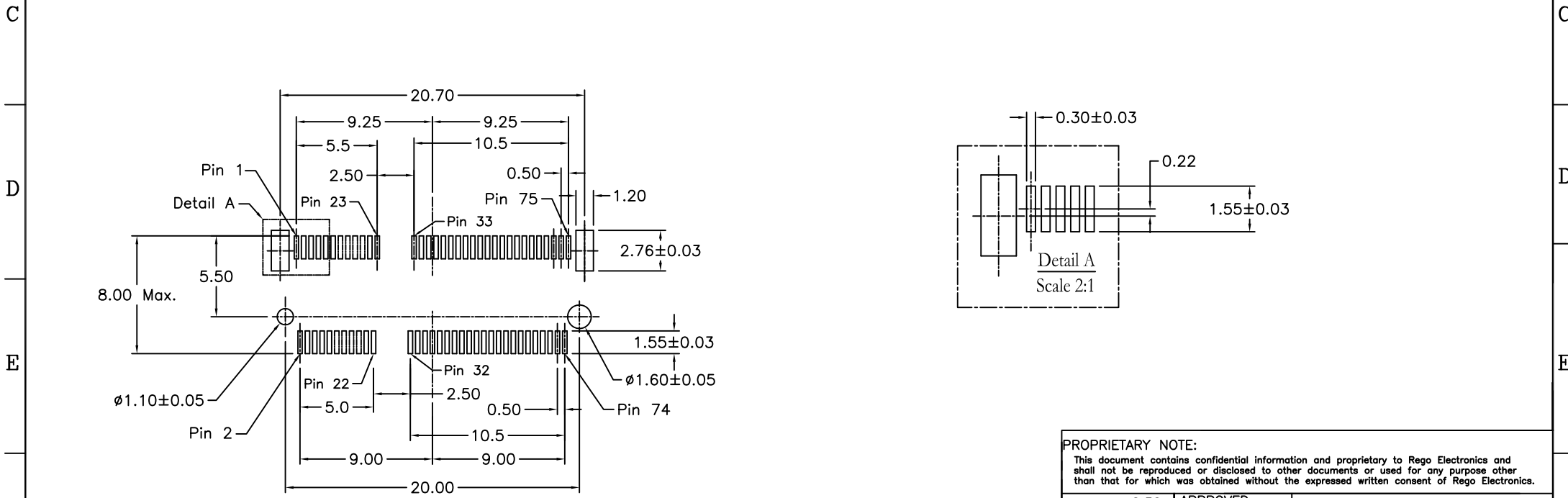
A	08.19.2015
REV	DATE

1 2 3 4 5 6 7 8 9 10


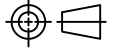


Bottom Side

Top Side



P.C. Board Layout

PROPRIETARY NOTE: This document contains confidential information and proprietary to Rego Electronics and shall not be reproduced or disclosed to other documents or used for any purpose other than that for which was obtained without the expressed written consent of Rego Electronics.			
.X ± 0.30	APPROVED: Chris	 http://www.rego.com.tw TITLE: M.2 (NGFF) CONNECTOR 8.5H E KEY	
.XX ± 0.20	CHECKED: Denny		
.XXX ± 0.15	DRAWN: Bryan		
X° ± 3'		PART NO: 8038402-67G00E7T	SHEET: 2 OF 2
 UNITS: mm SCALE: NONE			

A	08.19.2015
REV	DATE