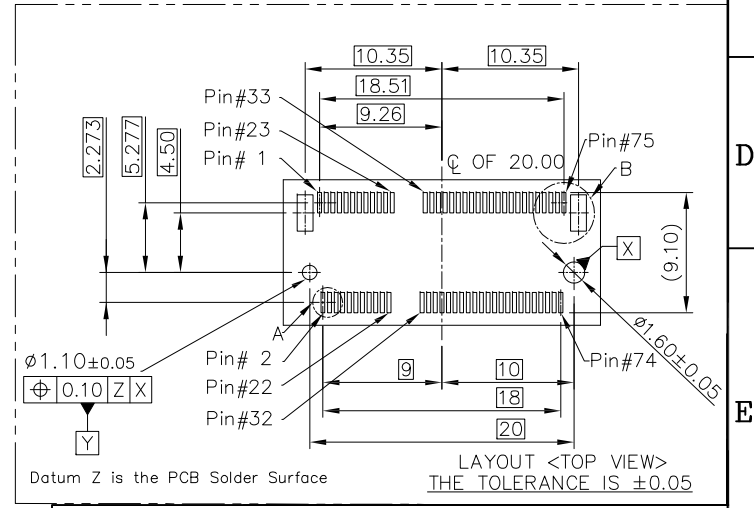
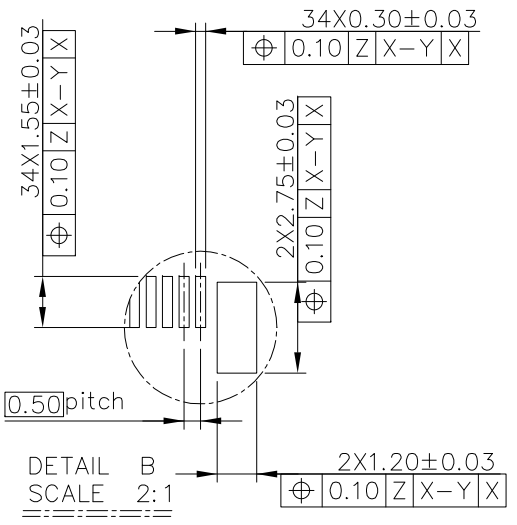
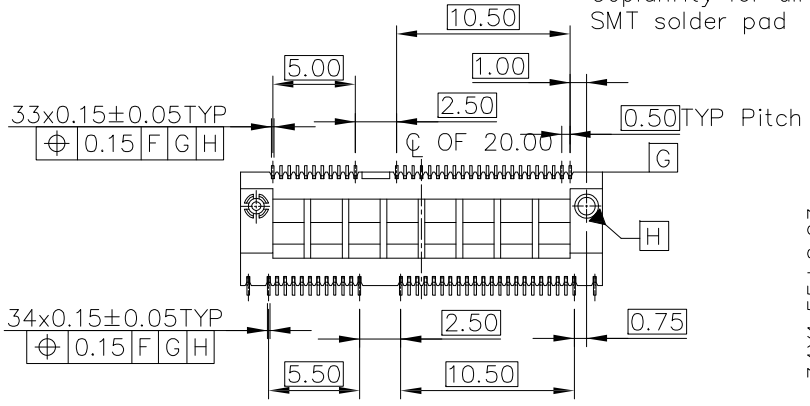
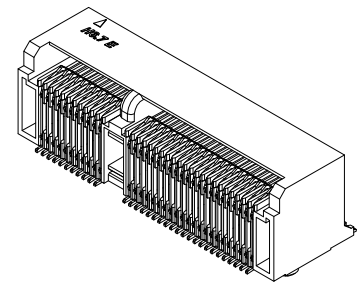
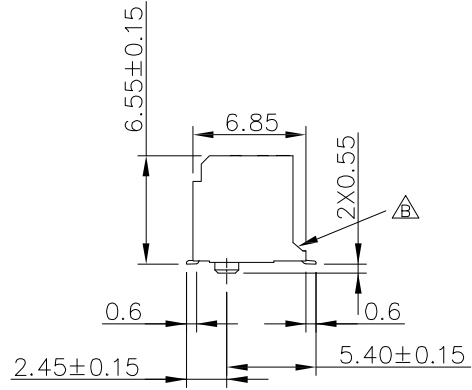
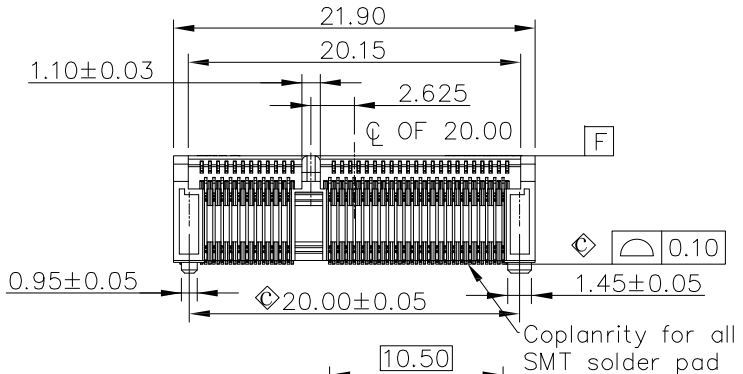
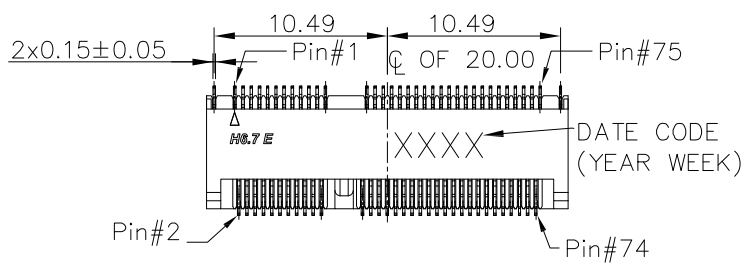



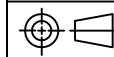
NOTES:
 1. MATERIAL :
 HOUSING : HIGH-TEMPERATURE PLASTIC,COLOR:BLACK,UL 94 V-0
 TERMINAL : COPPER ALLOY
 2. FINISH:
 TERMINAL :
 NICKEL UNDERPLATING ALL OVER BASE MATERIAL
 CONTACT AREA : GOLD PLATING OVER UNDERPLATE
 SOLDER AREA : GOLD FLASH PLATING OVER UNDERPLATE

A
B
C
D
E
F

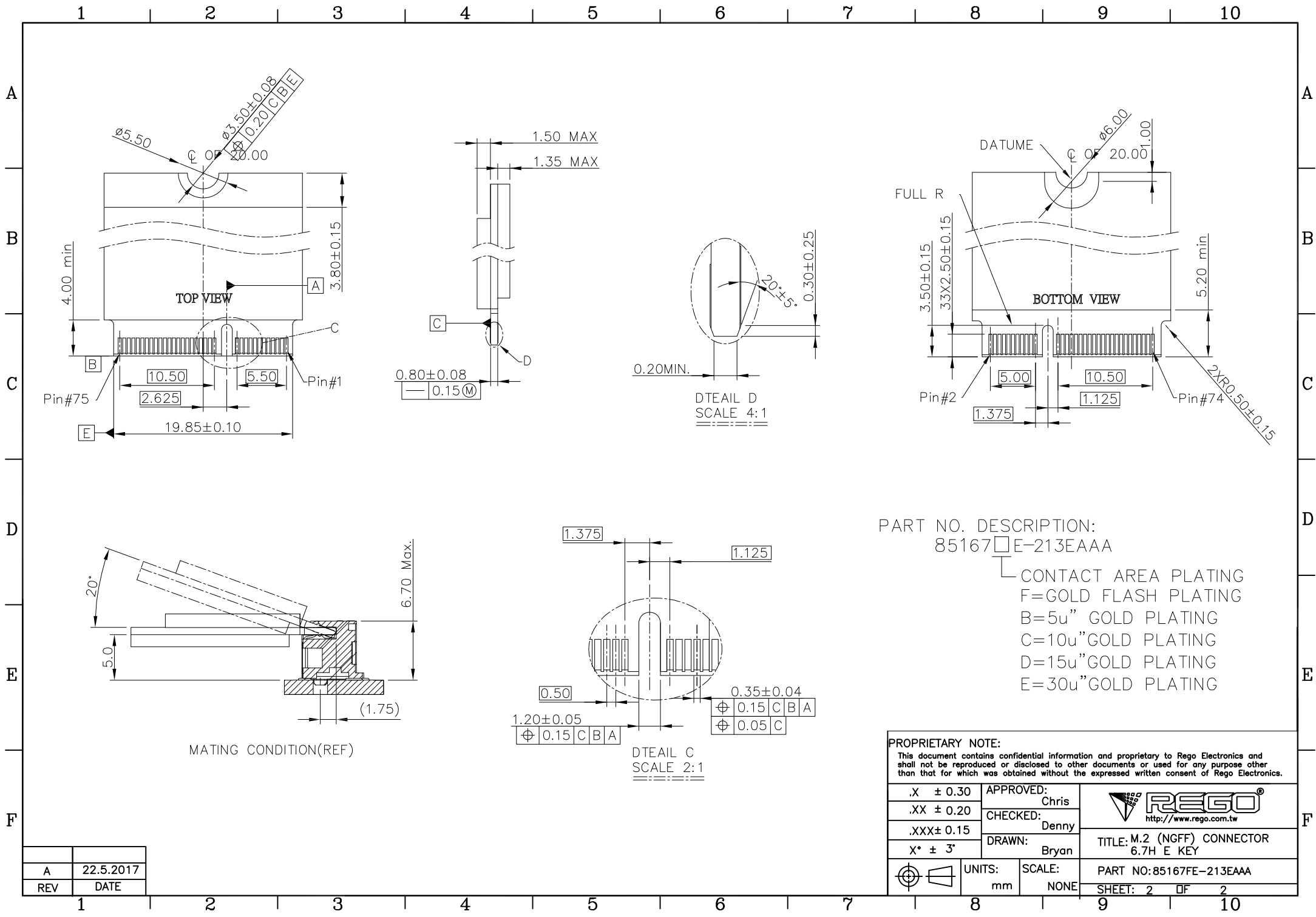
A
B
C
D
E
F



PROPRIETARY NOTE:
 This document contains confidential information and proprietary to Rego Electronics and shall not be reproduced or disclosed to other documents or used for any purpose other than that for which was obtained without the expressed written consent of Rego Electronics.


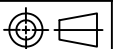
.X ± 0.30	APPROVED: Chris	 http://www.rego.com.tw
.XX ± 0.20	CHECKED: Denny	
.XXX ± 0.15	DRAWN: Bryan	TITLE: M.2 (NGFF) CONNECTOR 6.7H E KEY
X* ± 3'	UNITS: mm	SCALE: NONE
	SCALE: NONE	PART NO: 85167FE-213EAAA
		SHEET: 1 OF 2

A	22.5.2017
REV	DATE



PART NO. DESCRIPTION:
 85167 E-213EAAA

CONTACT AREA PLATING
 F=GOLD FLASH PLATING
 B=5u" GOLD PLATING
 C=10u" GOLD PLATING
 D=15u" GOLD PLATING
 E=30u" GOLD PLATING

X ± 0.30		APPROVED:	 http://www.rego.com.tw
.XX ± 0.20		CHECKED: Chris	
.XXX ± 0.15		DRAWN: Denny	
X* ± 3'		Bryan	
		UNITS: mm	TITLE: M.2 (NGFF) CONNECTOR 6.7H E KEY
		SCALE: NONE	PART NO: 85167FE-213EAAA
			SHEET: 2 OF 2

A	22.5.2017
REV	DATE