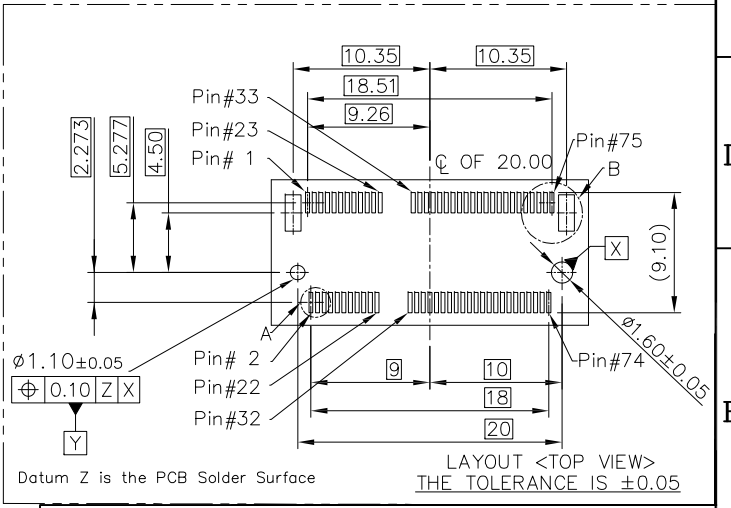
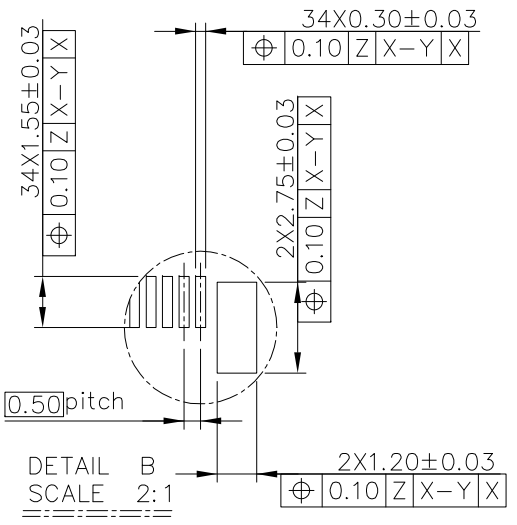
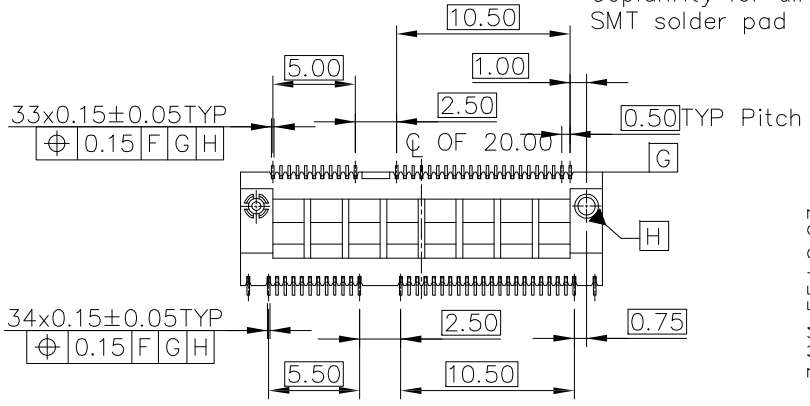
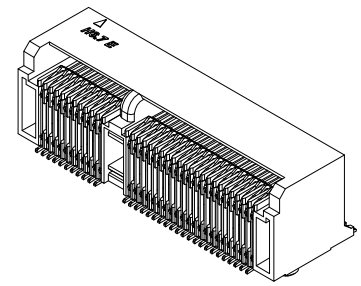
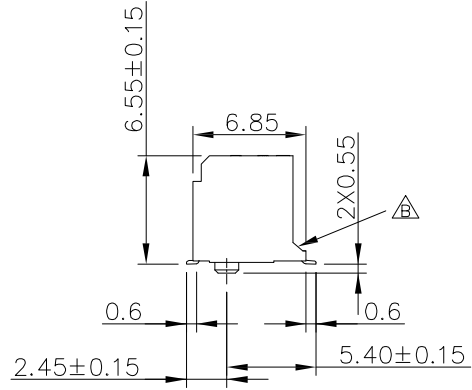
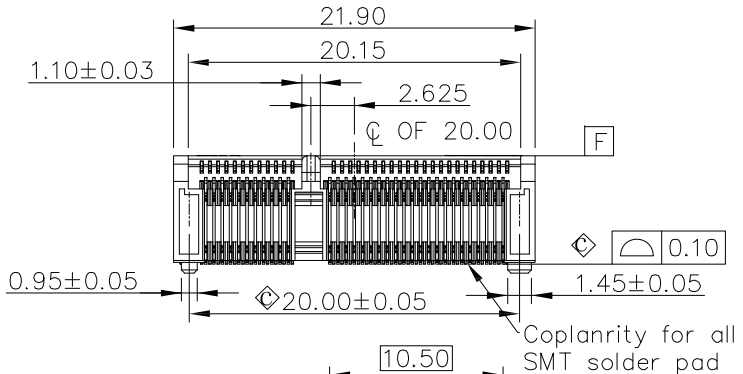
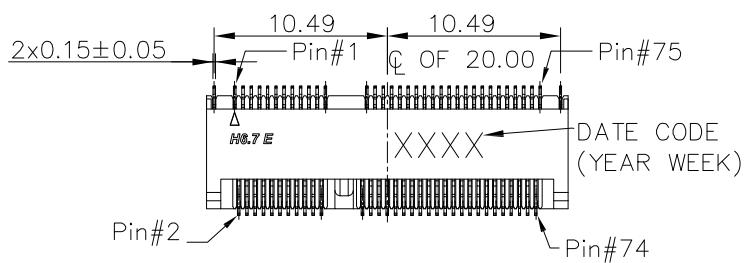


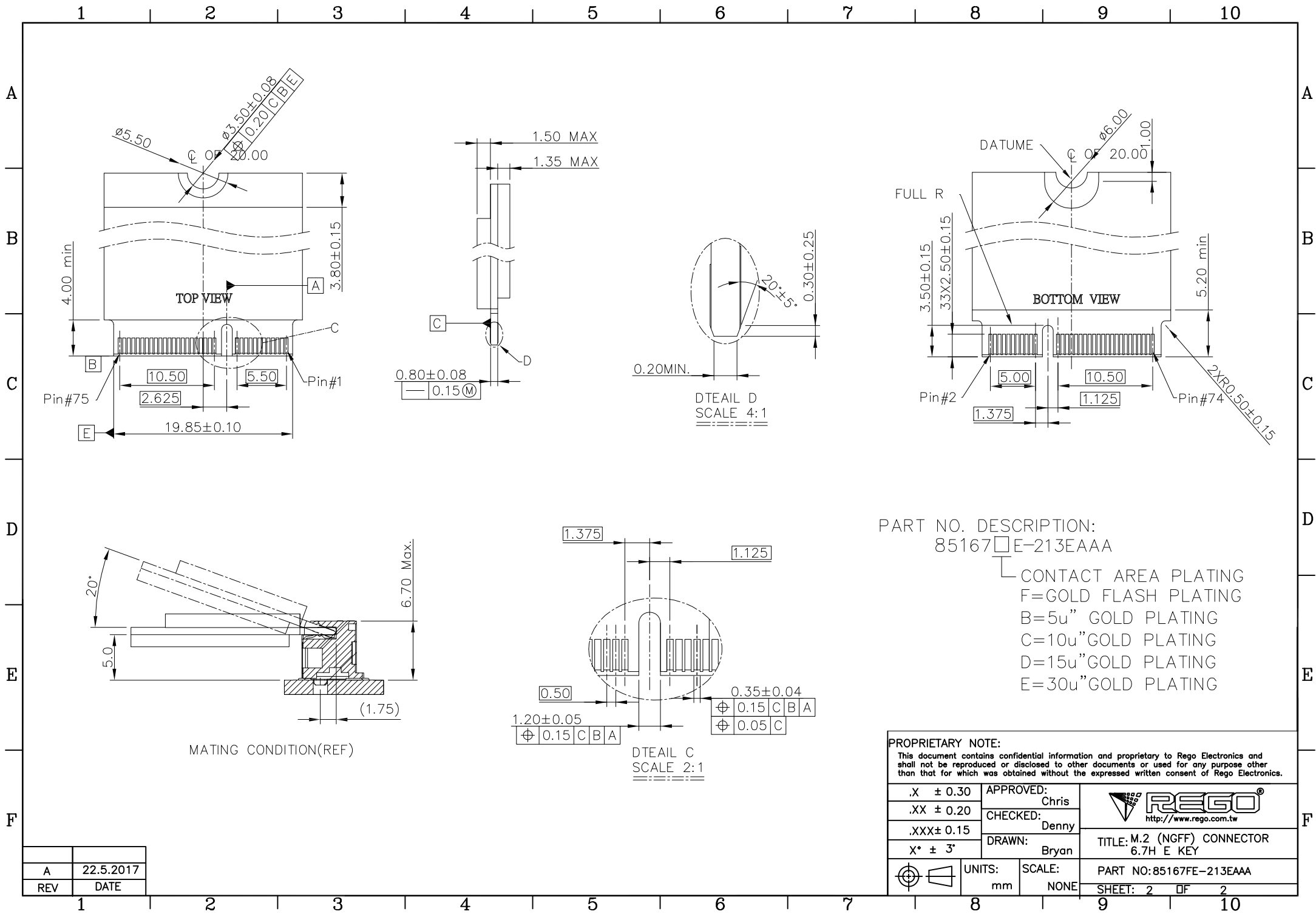
**NOTES:**  
 1.MATERIAL :  
 HOUSING : HIGH-TEMPERATURE PLASTIC,COLOR:BLACK,UL 94 V-0  
 TERMINAL : COPPER ALLOY  
 2. FINISH:  
 TERMINAL :  
 NICKEL UNDERPLATING ALL OVER BASE MATERIAL  
 CONTACT AREA : GOLD PLATING OVER UNDERPLATE  
 SOLDER AREA : GOLD FLASH PLATING OVER UNDERPLATE



**PROPRIETARY NOTE:**  
 This document contains confidential information and proprietary to Rego Electronics and shall not be reproduced or disclosed to other documents or used for any purpose other than that for which was obtained without the expressed written consent of Rego Electronics.

.X ± 0.30	APPROVED: Chris	 <a href="http://www.rego.com.tw">http://www.rego.com.tw</a>
.XX ± 0.20	CHECKED: Denny	
.XXX ± 0.15	DRAWN: Bryan	
X* ± 3'	UNITS: mm	SCALE: NONE
TITLE: M.2 (NGFF) CONNECTOR 6.7H E KEY		PART NO: 85167FE-213EAAA
SHEET: 1 OF 2		


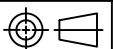
A	22.5.2017
REV	DATE



PART NO. DESCRIPTION:  
 85167□E-213EAAA

CONTACT AREA PLATING  
 F=GOLD FLASH PLATING  
 B=5u" GOLD PLATING  
 C=10u" GOLD PLATING  
 D=15u" GOLD PLATING  
 E=30u" GOLD PLATING

**PROPRIETARY NOTE:**  
 This document contains confidential information and proprietary to Rego Electronics and shall not be reproduced or disclosed to other documents or used for any purpose other than that for which was obtained without the expressed written consent of Rego Electronics.

.X ± 0.30	APPROVED: Chris	 <a href="http://www.rego.com.tw">http://www.rego.com.tw</a>
.XX ± 0.20	CHECKED: Denny	
.XXX ± 0.15	DRAWN: Bryan	
X* ± 3'		
 UNITS: mm    SCALE: NONE		TITLE: M.2 (NGFF) CONNECTOR 6.7H E KEY PART NO: 85167FE-213EAAA SHEET: 2 OF 2

A	22.5.2017
REV	DATE