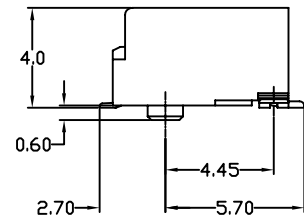
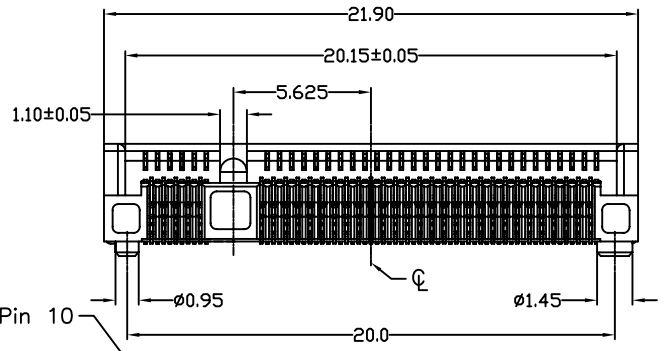
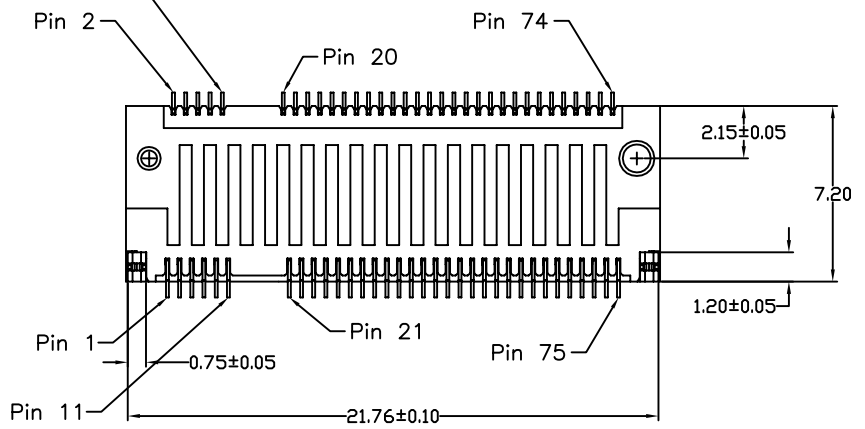


Mating Angle Illustration
Scale 2:1

Material:
 Housing: High Temperature Plastic UL94V-0, Black.
 Contacts: Copper Alloy.
 Solder Pad: Metal, Matte Tin Plated.
Electrical Characteristics:
 Current Rating: 0.5 AMP.
 Insulator Resistance: 500MΩ min. at DC 500V.
 Contact Resistance: 55mΩ max.
 Operating Temperature: -40°C~+80°C.
***RoHS Compliant**




8038402-67 G 00 B 5 T
 Series ————
 No. of Pin ————
 Count ————
 G: Gold Plated ————
 00: G/F ————
 T: Tape & Reel Package
 5: 4.0mm Height
 B: Key B



REV	DATE
A	08.31.2015

PROPRIETARY NOTE:
 This document contains confidential information and proprietary to Rego Electronics and shall not be reproduced or disclosed to other documents or used for any purpose other than that for which was obtained without the expressed written consent of Rego Electronics.

.X ± 0.30	APPROVED: Chris	 http://www.rego.com.tw
.XX ± 0.20	CHECKED: Denny	
.XXX ± 0.15	DRAWN: Bryan	
X* ± 3*		
UNITS: mm	SCALE: NONE	TITLE: M.2 (NGFF) CONNECTOR 4.2H B KEY
PART NO: 8038402-67G00B5T		SHEET: 1 OF 2

1 2 3 4 5 6 7 8 9 10

A

B

C

D

E

F

A

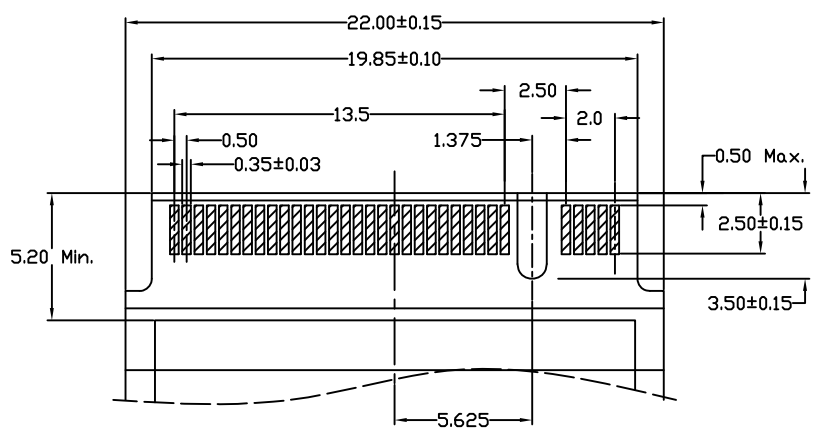
B

C

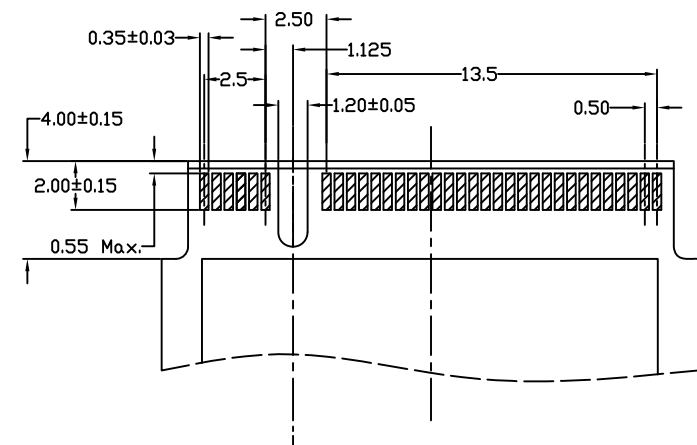
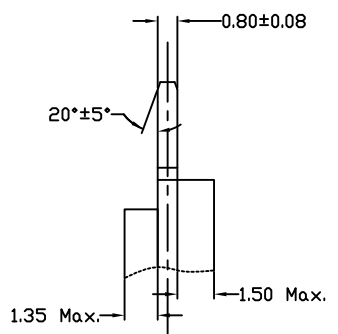
D

E

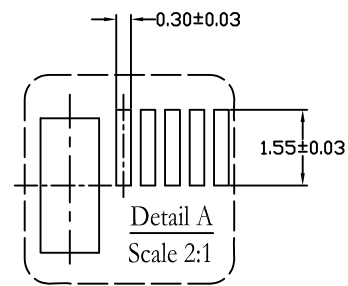
F



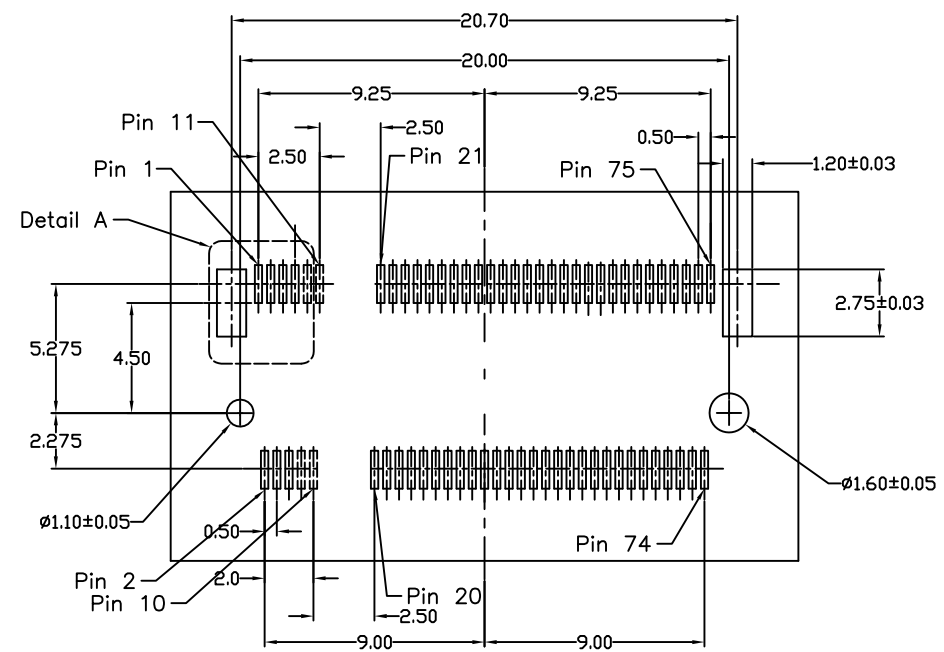
Bottom Side




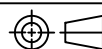
Top Side



Detail A
Scale 2:1



P.C. Board Layout

PROPRIETARY NOTE: This document contains confidential information and proprietary to Rego Electronics and shall not be reproduced or disclosed to other documents or used for any purpose other than that for which was obtained without the expressed written consent of Rego Electronics.			
.X ± 0.30	APPROVED: Chris	 http://www.rego.com.tw	TITLE: M.2 (NGFF) CONNECTOR 4.2H B KEY
.XX ± 0.20	CHECKED: Denny		
.XXX ± 0.15	DRAWN: Bryan		
X* ± 3'			
	UNITS: mm	SCALE: NONE	PART NO: 8038402-67G00B5T SHEET: 2 OF 2

A	08.31.2015
REV	DATE

1 2 3 4 5 6 7 8 9 10