

Mating Similar
Scale 2:1

Material:

Housing: High Temperature Plastic UL94V-0, Black.

Contacts: Copper Alloy.

Solder Pad: Metal, Matte Tin Plated.

Electrical Characteristics:

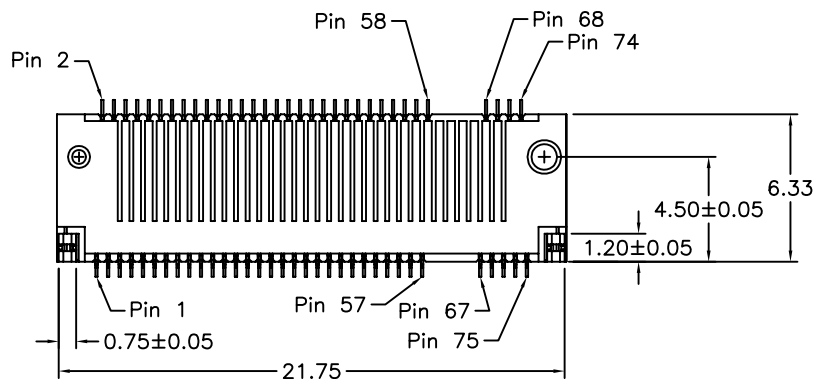
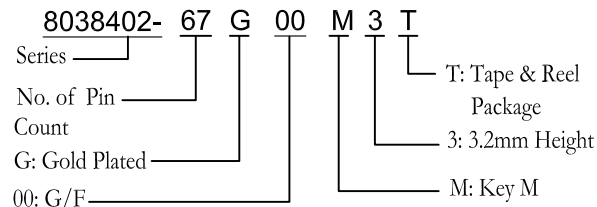
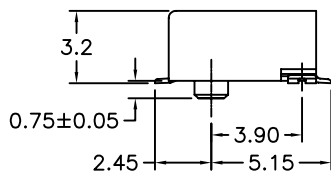
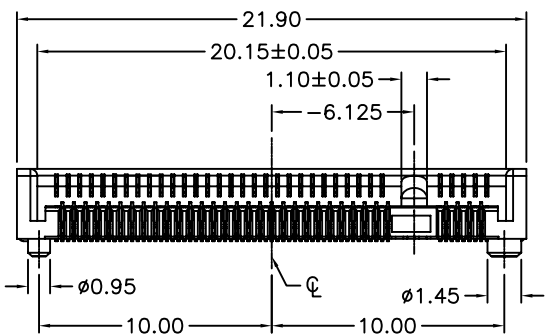
Current Rating: 0.5 AMP.

Insulator Resistance: 500MΩ min. at DC 500V.



Contact Resistance: 55mΩ max.

Operating Temperature: -40°C~+80°C.

***RoHS Compliant**



PROPRIETARY NOTE:
This document contains confidential information and proprietary to Rego Electronics and shall not be reproduced or disclosed to other documents or used for any purpose other than that for which was obtained without the expressed written consent of Rego Electronics.

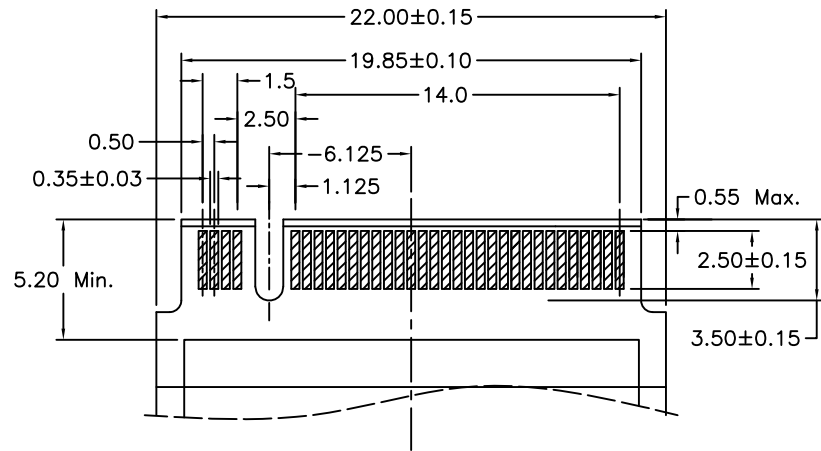
.X ± 0.30	APPROVED: Chris	 http://www.rego.com.tw
.XX ± 0.20	CHECKED: Denny	
.XXX ± 0.15	DRAWN: Bryan	
X* ± 3'		
	UNITS: mm	SCALE: NONE
PART NO: 8038402-67G00M3T		TITLE: M.2 (NGFF) CONNECTOR 3.2H M KEY
SHEET: 1 OF 2		

A	11.13.2015
REV	DATE

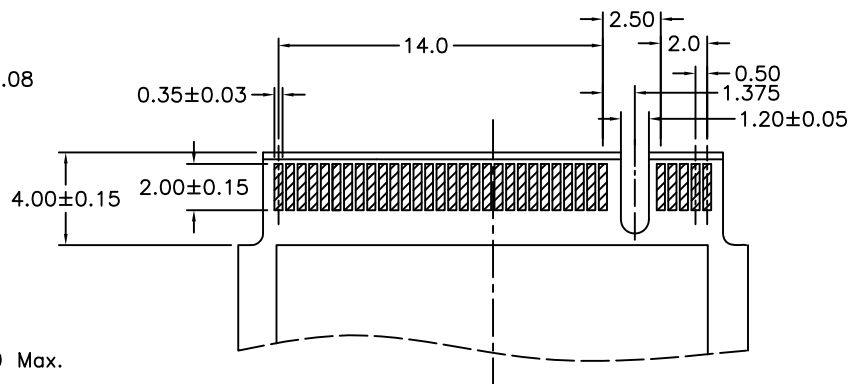
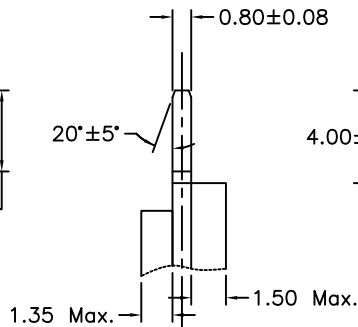
1 2 3 4 5 6 7 8 9 10

A

A



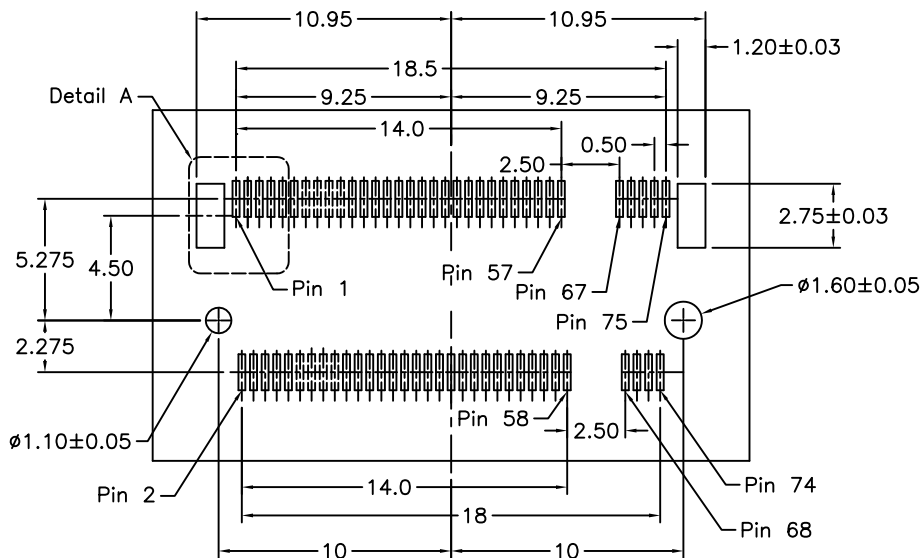
Bottom Side



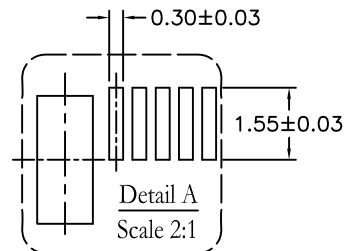
Top Side

C

C



P.C. Board Layout



D

D

E


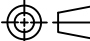
E

F

F

PROPRIETARY NOTE:

This document contains confidential information and proprietary to Rego Electronics and shall not be reproduced or disclosed to other documents or used for any purpose other than that for which was obtained without the expressed written consent of Rego Electronics.

.X ± 0.30	APPROVED: Chris	 http://www.rego.com.tw
.XX ± 0.20	CHECKED: Denny	
.XXX ± 0.15	DRAWN: Bryan	
X* ± 3'		
	UNITS: mm	SCALE: NONE
PART NO: 8038402-67G00M3T		SHEET: 2 OF 2

A	11.13.2015
REV	DATE

1 2 3 4 5 6 7 8 9 10