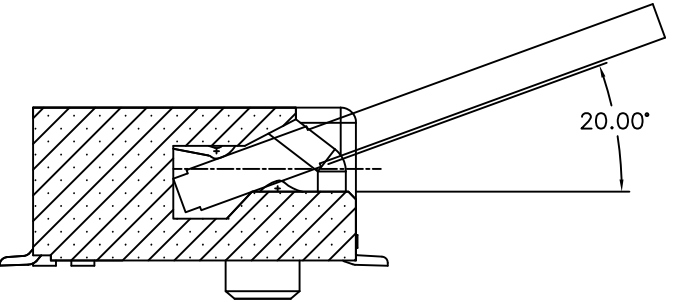
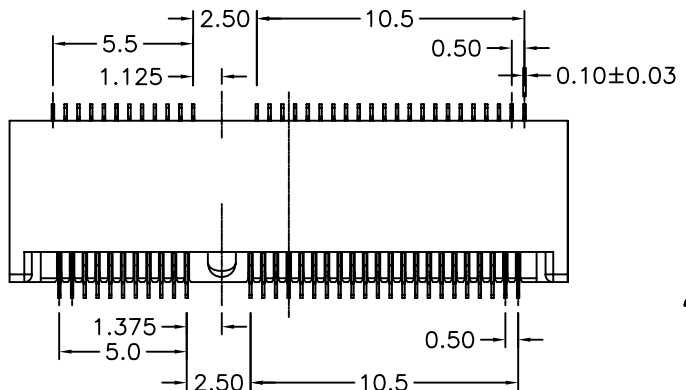


1 2 3 4 5 6 7 8 9 10

A



**Material:**  
 Housing: High Temperature Plastic UL94V-0, Black.  
 Contacts: Copper Alloy.  
 Solder Pad: Metal, Matte Tin Plated.  
**Electrical Characteristics:**  
 Current Rating: 0.5 AMP.  
 Insulator Resistance: 500MΩ min. at DC 500V.  
 Contact Resistance: 55mΩ max.  
 Operating Temperature: -40°C~+80°C.  
**\*RoHS Compliant**

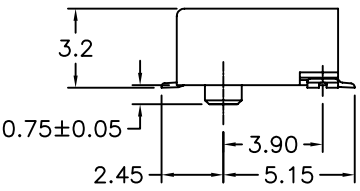
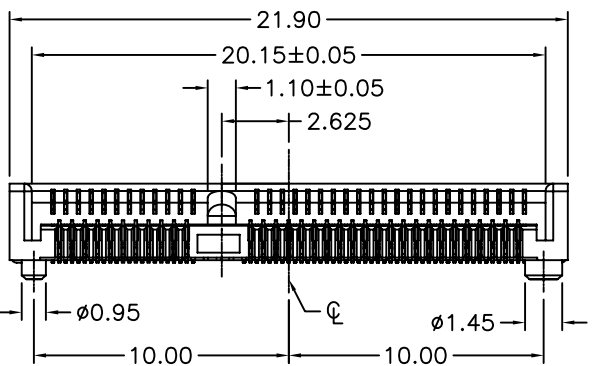
A

B

Mating Similar  
 Scale 2:1

B

C

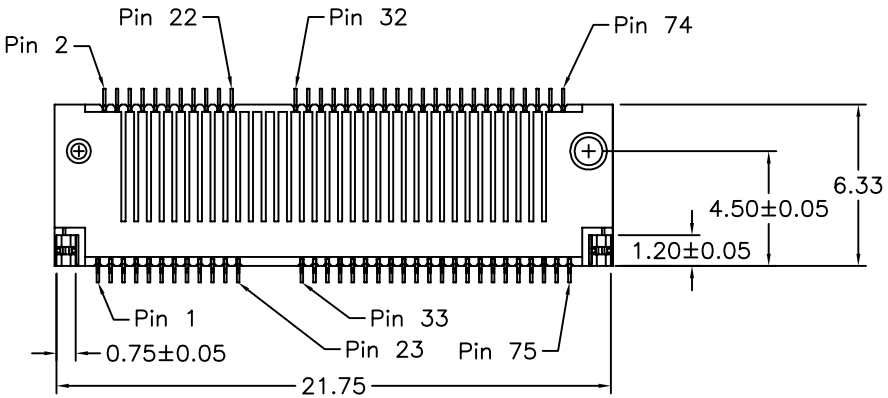


8038402- 67 G 00 E 3 T  
 Series ———  
 No. of Pin ———  
 Count ———  
 G: Gold Plated ———  
 00: G/F ———  
 T: Tape & Reel  
 Package  
 3: 3.2mm Height  
 E: Key E

C

D

E


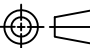


D

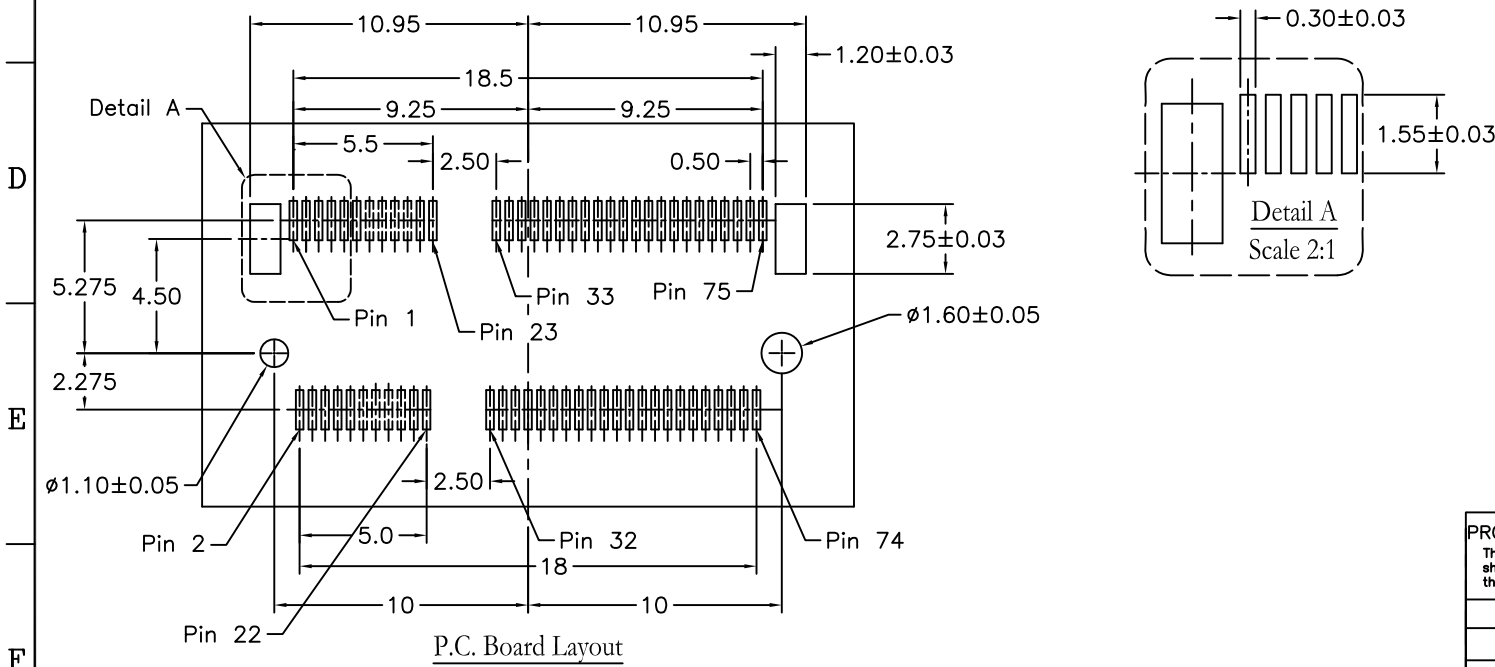
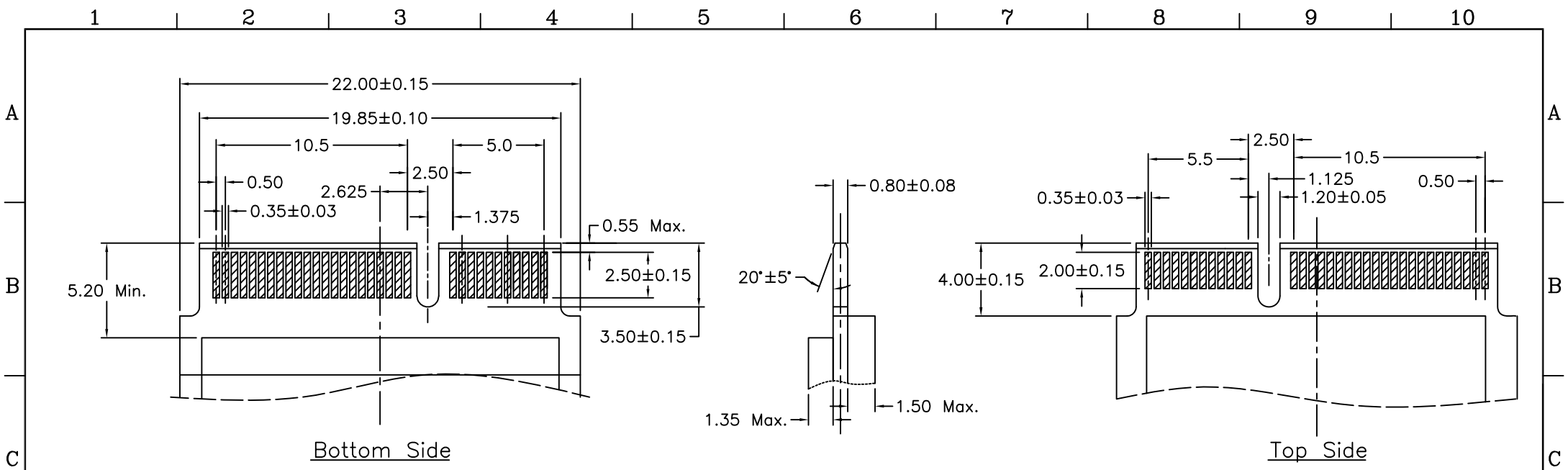
E

F


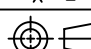
A	11.13.2015
REV	DATE

PROPRIETARY NOTE: This document contains confidential information and proprietary to Rego Electronics and shall not be reproduced or disclosed to other documents or used for any purpose other than that for which was obtained without the expressed written consent of Rego Electronics.			
.X ± 0.30	APPROVED: Chris	 <a href="http://www.rego.com.tw">http://www.rego.com.tw</a>	
.XX ± 0.20	CHECKED: Denny		
.XXX ± 0.15	DRAWN: Bryan		
X* ± 3'		TITLE: M.2 (NGFF) CONNECTOR 3.2H E KEY	
	UNITS: mm	SCALE: NONE	PART NO: 8038402-67G00E3T SHEET: 1 OF 2

1 2 3 4 5 6 7 8 9 10



**PROPRIETARY NOTE:**  
 This document contains confidential information and proprietary to Rego Electronics and shall not be reproduced or disclosed to other documents or used for any purpose other than that for which was obtained without the expressed written consent of Rego Electronics.

.X ± 0.30	APPROVED: Chris	 <a href="http://www.rego.com.tw">http://www.rego.com.tw</a>
.XX ± 0.20	CHECKED: Denny	
.XXX ± 0.15	DRAWN: Bryan	
X° ± 3°		
	UNITS: mm	SCALE: NONE
TITLE: M.2 (NGFF) CONNECTOR 3.2H E KEY		PART NO: 8038402-67G00E3T
SHEET: 2 OF 2		

A	11.13.2015
REV	DATE