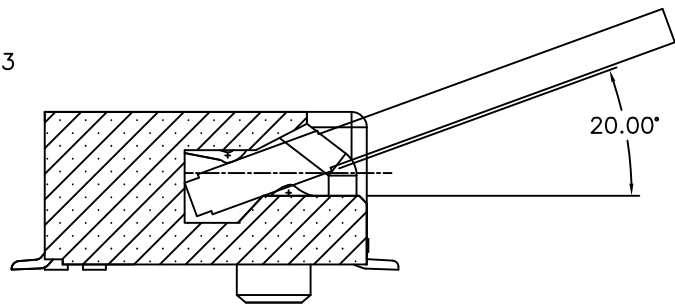
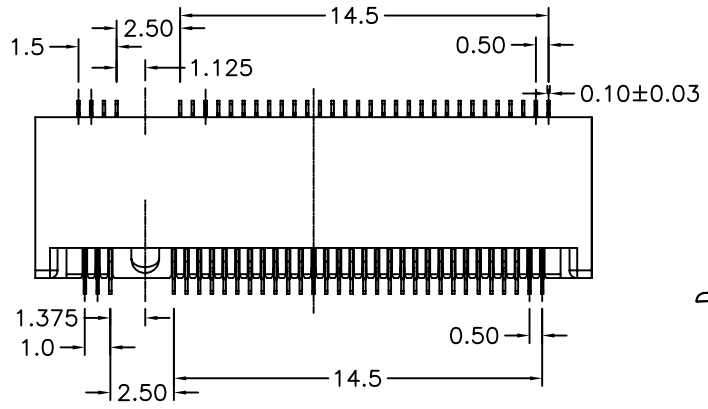


A



Mating Similar
Scale 2:1

Material:

Housing: High Temperature Plastic UL94V-0, Black.

Contacts: Copper Alloy.

Solder Pad: Metal, Matte Tin Plated.

Electrical Characteristics:

Current Rating: 0.5 AMP.

Insulator Resistance: 500MΩ min. at DC 500V.

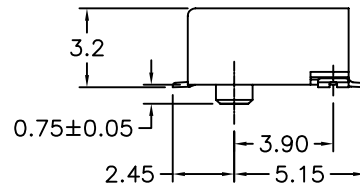
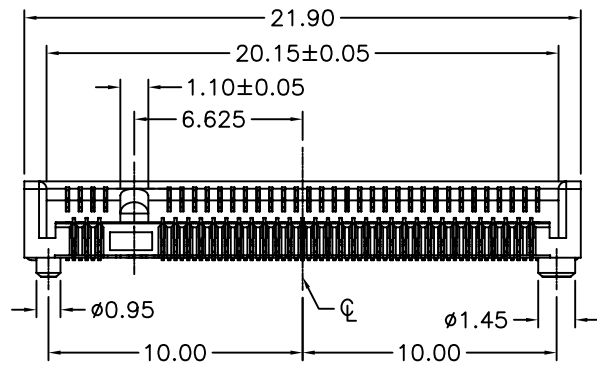
Contact Resistance: 55mΩ max.

Operating Temperature: -40°C~+80°C.

***RoHS Compliant**

B

C

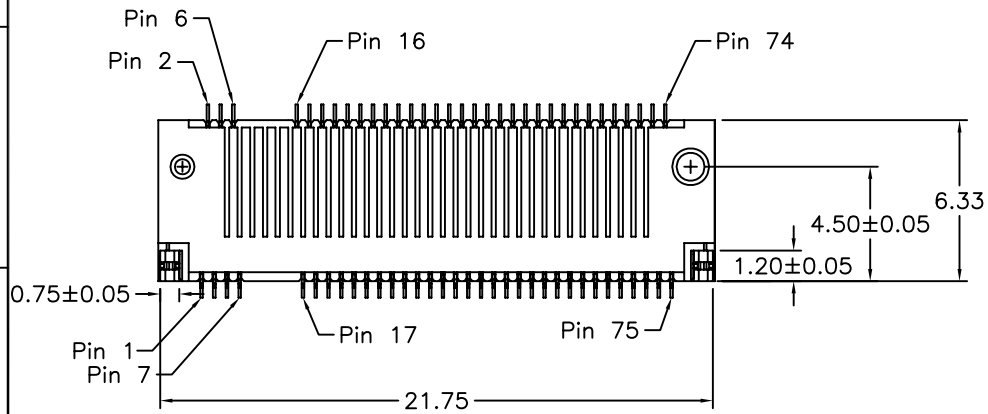


8038402- 67 G 00 A 3 T

Series ———
No. of Pin ———
Count ———
G: Gold Plated ———
00: G/F ———
T: Tape & Reel Package
3: 3.2mm Height
A: Key A

D

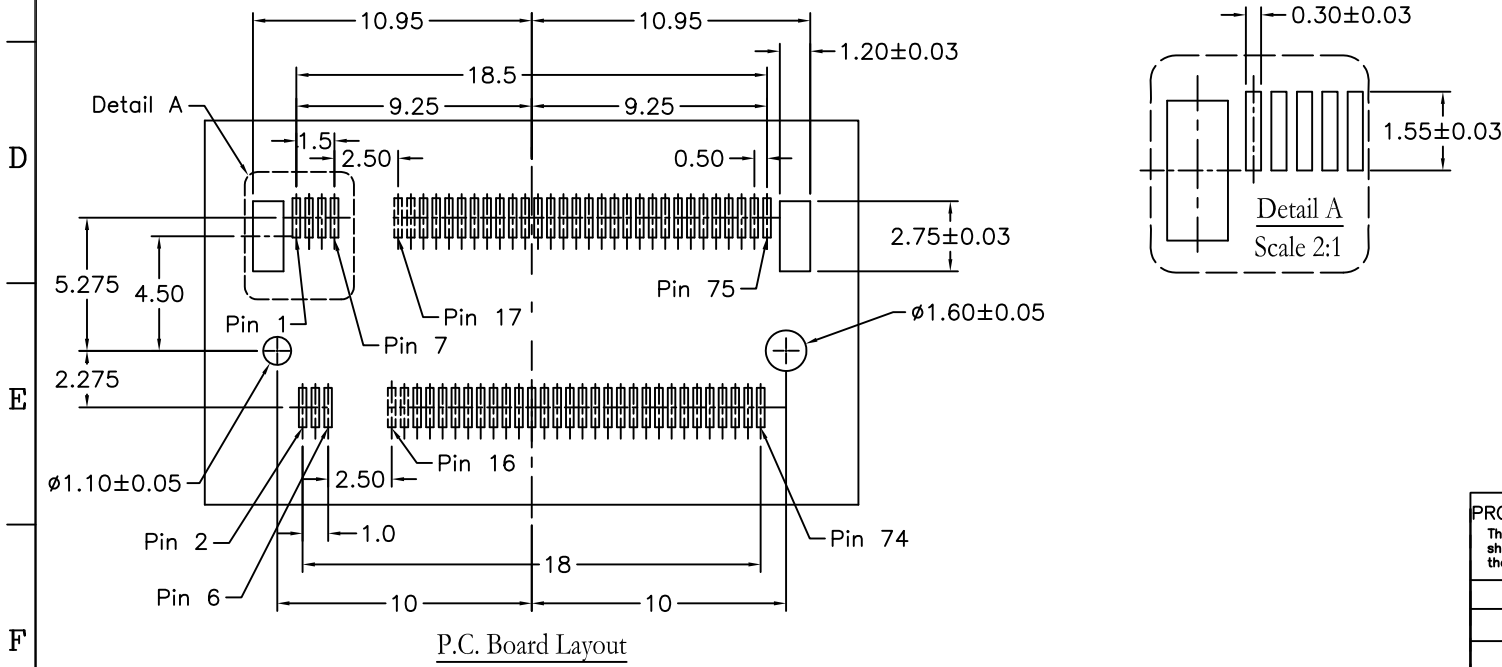
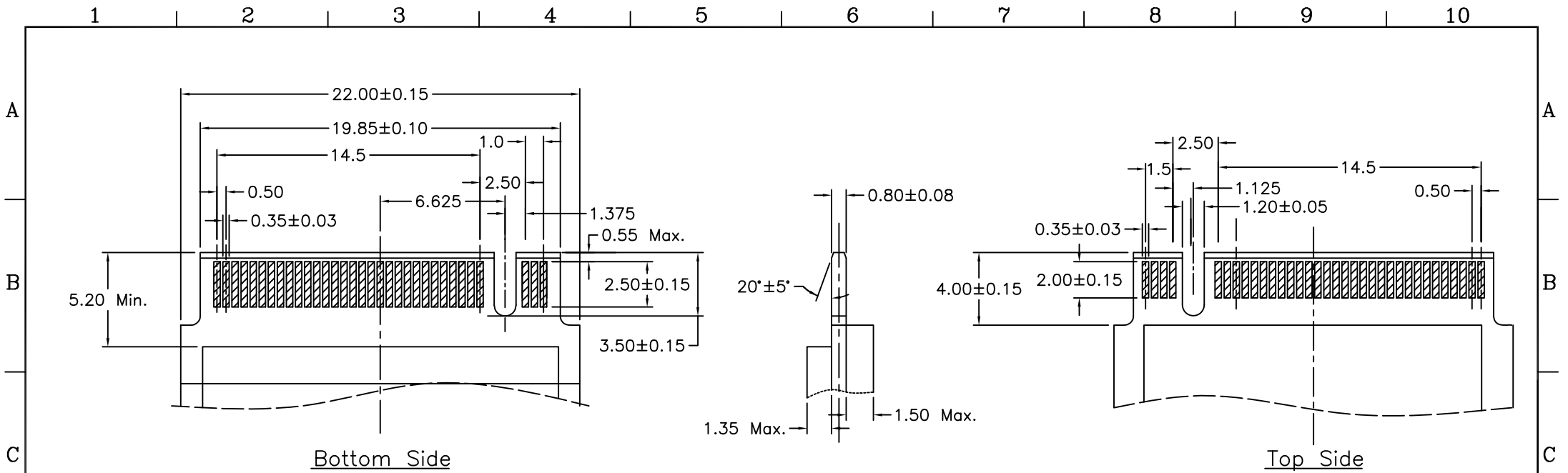
E




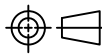
F

<p>PROPRIETARY NOTE: This document contains confidential information and proprietary to Rego Electronics and shall not be reproduced or disclosed to other documents or used for any purpose other than that for which was obtained without the expressed written consent of Rego Electronics.</p>			
.X ± 0.30	APPROVED:	 http://www.rego.com.tw	<p>TITLE: M.2 (NGFF) CONNECTOR 3.2H A KEY</p>
.XX ± 0.20	CHECKED:		
.XXX ± 0.15	DRAWN:		
X* ± 3'			
	UNITS:	SCALE:	PART NO: 8038402-67G00A3T
	mm	NONE	SHEET: 1 OF 2

A	08.19.2015
REV	DATE



PROPRIETARY NOTE:
 This document contains confidential information and proprietary to Rego Electronics and shall not be reproduced or disclosed to other documents or used for any purpose other than that for which was obtained without the expressed written consent of Rego Electronics.

.X ± 0.30	APPROVED: Chris	 http://www.rego.com.tw
.XX ± 0.20	CHECKED: Denny	
.XXX ± 0.15	DRAWN: Bryan	
X* $\pm 3'$		TITLE: M.2 (NGFF) CONNECTOR 3.2H A KEY
	UNITS: mm	SCALE: NONE
		PART NO: 8038402-67G00A3T
		SHEET: 2 OF 2

A	08.19.2015
REV	DATE