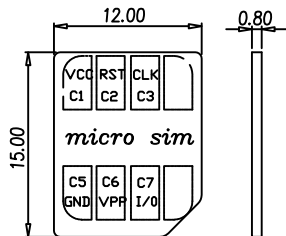
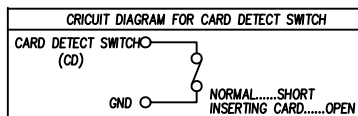


1. 此PIN 為CD-PIN, 此PIN 無需時不需要設計PCB 焊盤。
 2. 此PIN 為CD-PIN, 支持熱插拔, 有需要可設計此功能。

RECOMMENDED PCB LAYOUT
 GENERAL TOLERANCE ±0.05



MICRO SIM CARD



□ CIRCUT TRACE KEEP OUT AREA
 □ SMT SOLDER AREA
 THERE SHOULD NOT BE ANY CIRCUITRIES
 IN THE LAYOUT SPACE OF THE PRODUCTS.

RECOMMENDED PCB LAYOUT
 GENERAL TOLERANCE ±0.05

NOTES:

MATERIAL:

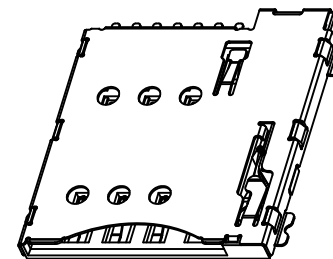
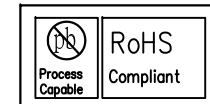
Insulator: High Temperature Thermoplastic, UL 94V-0.
 Contact: Copper Alloy
 Shell: STAINLESS

PLATING:

Contact: Plated 30u" Ni Overall Contact Au 1U
 Shell: Plated 30u" Ni Overall
 Plated 1u"Au Selective Contact Area

Electrical:


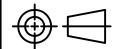
Current Rating :0.5mA AC/DC max.
 Voltage Rating :125V AC/DC
 Ambient Temperature Range : -20°C~+60°C
 Storage Temperature Range : -40°C~+70°C
 Ambient Humidity Range : 95% R.H. Max.
 Contact Resistance:100m max.
 Insulation Resistance:1000M min./500VDC
 Mating Cycles:5,000 Insertions
 Temperature : 260°C ±5°



| SIM pin Assignment | |
|--------------------|------|
| PIN# | Name |
| C1 | VCC |
| C2 | RST |
| C3 | CLK |
| C5 | GND |
| C6 | VPP |
| C7 | I/O |

PROPRIETARY NOTE:

This document contains confidential information and proprietary to Rego Electronics and shall not be reproduced or disclosed to other documents or used for any purpose other than that for which was obtained without the expressed written consent of Rego Electronics.

| | | | |
|---|-----------------|--|---------------------------|
| .X ± 0.30 | APPROVED: Chris |  http://www.rego.com.tw | |
| .XX ± 0.20 | CHECKED: Denny | | |
| .XXX ± 0.15 | DRAWN: Bryan | | |
| X° ± 3' | | TITLE: MICRO SIM PUSH PUSH TYPE CONNECTOR | |
|  | UNITS: mm | SCALE: NONE | PART NO: 894E03-010100001 |
| | | | SHEET: 1 OF 2 |

| | |
|-----|-----------|
| A | 18.4.2018 |
| REV | DATE |

1 2 3 4 5 6 7 8 9 10

A

B

C

D

E

F

A

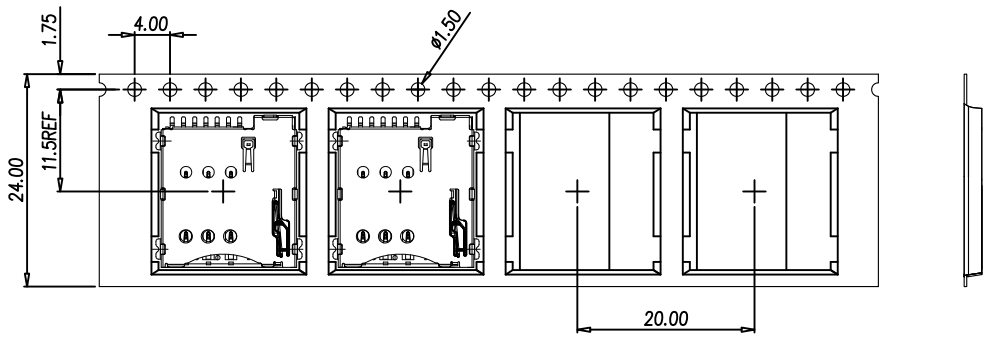
B

C

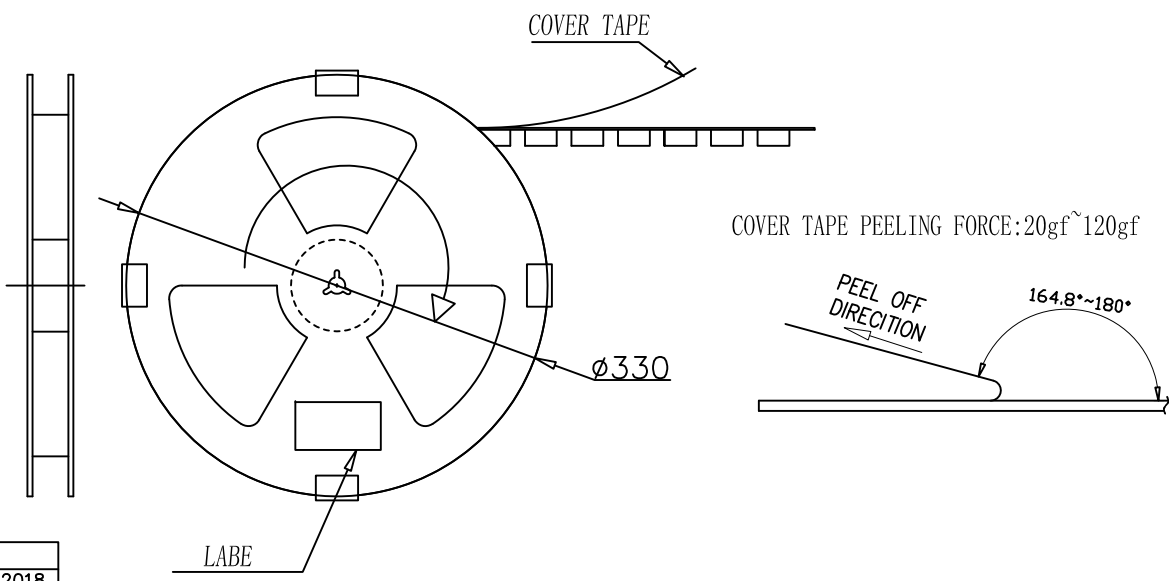
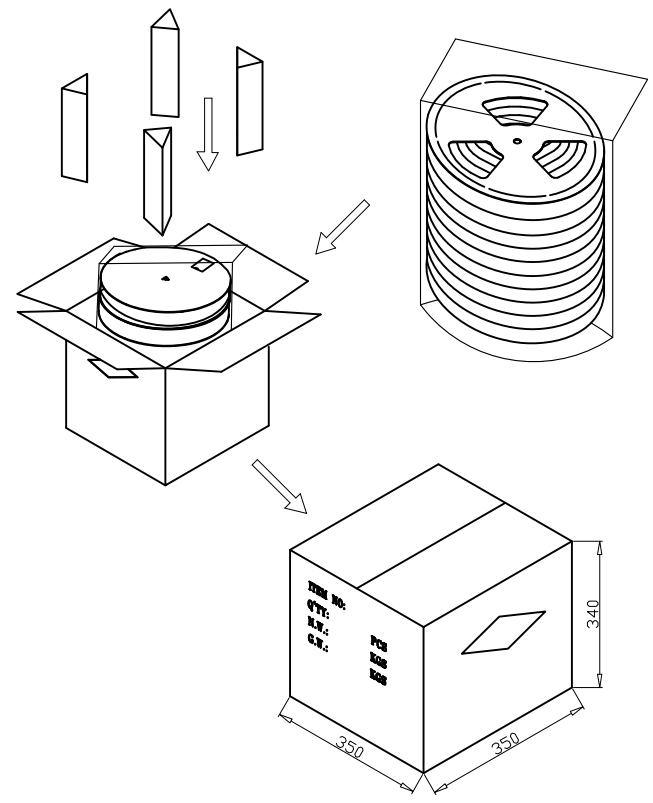
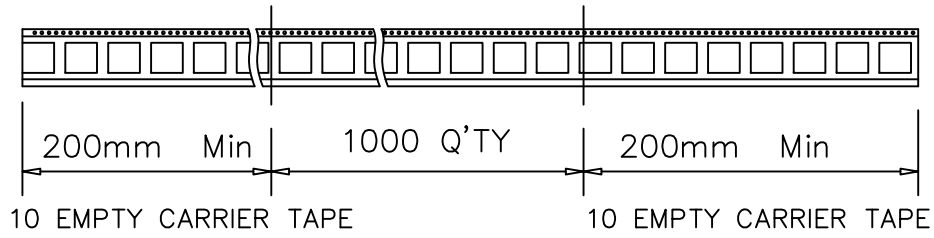
D

E

F



USER DIRECTION OF UNREELING



PACKAGING LIST

| QTY/REEL | REEL/CARTON | QTY/CARTON |
|------------|-------------|-------------|
| 1000 | 10 | 10000 |
| N. W. :KGS | G. W. :KGS | CARTON SIZE |
| 4.54 | 10.1 | 350X350X340 |

PROPRIETARY NOTE:
This document contains confidential information and proprietary to Rego Electronics and shall not be reproduced or disclosed to other documents or used for any purpose other than that for which was obtained without the expressed written consent of Rego Electronics.

| | | |
|-------------|-----------------|---|
| .X ± 0.30 | APPROVED: Chris | |
| .XX ± 0.20 | CHECKED: Denny | |
| .XXX ± 0.15 | DRAWN: Bryan | |
| X* ± 3' | | |
| UNITS: mm | SCALE: NONE | TITLE: MICRO SIM PUSH PUSH TYPE CONNECTOR |
| | | PART NO: 894E03-010100001 |
| | | SHEET: 2 OF 2 |

| | |
|-----|-----------|
| A | 18.4.2018 |
| REV | DATE |

1 2 3 4 5 6 7 8 9 10