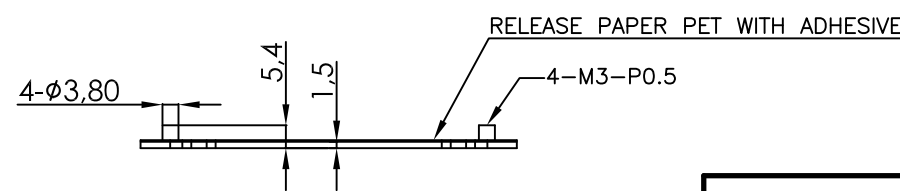
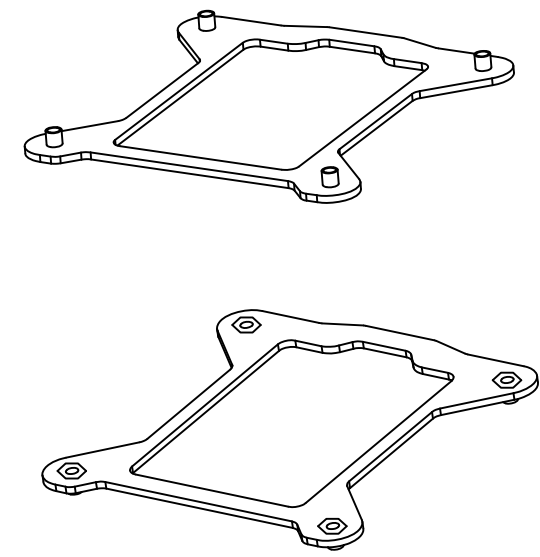
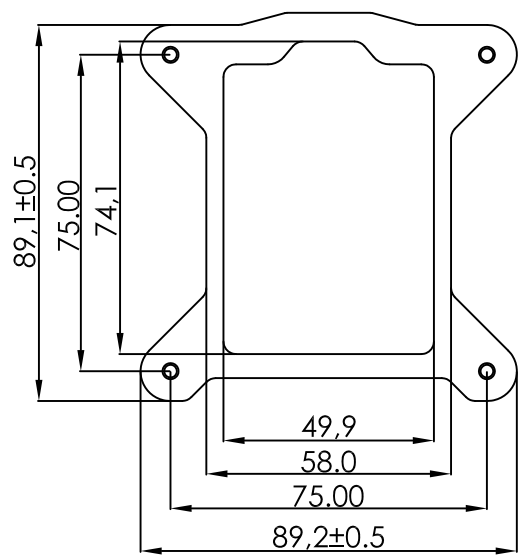


1 2 3 4 5 6 7 8 9 10

A
B
C
D
E
F



- NOTE :
1. MATERIAL:SPCC
 2. FINISH : (1)PLATE—NICKEL
(2)STAND OFF—ZINC PLATING
 3. MATERIALS USED MUST MEET THE ROHS STANDARD .
 4. RELEASE PAPER PET WITH ADHESIVE THICKNESS 0.4T

		PROPRIETARY NOTE THIS DOCUMENT CONTAINS CONFIDENTIAL INFORMATION AND PROPRIETARY TO REGO ELECTRONICS AND SHALL NOT BE REPRODUCED OR DISCLOSED TO OTHER DOCUMENTS OR USED FOR ANY PURPOSE OTHER THAN THAT FOR WHICH WAS OBTAINED WITHOUT THE EXPRESSED WRITTEN CONSENT OF REGO ELECTRONICS.			
		PROJECT	APPROVED	MATERIAL	DATE
TITLE	CHECKED	FINISH	SCALE	REV	.X ± 0.30
PART NO	DRAWN	UNITS	mm	A	.XX ± 0.20
					.XXX ± 0.10
					SHEET
					1 OF 1

1 2 3 4 5 6 7 8 9 10