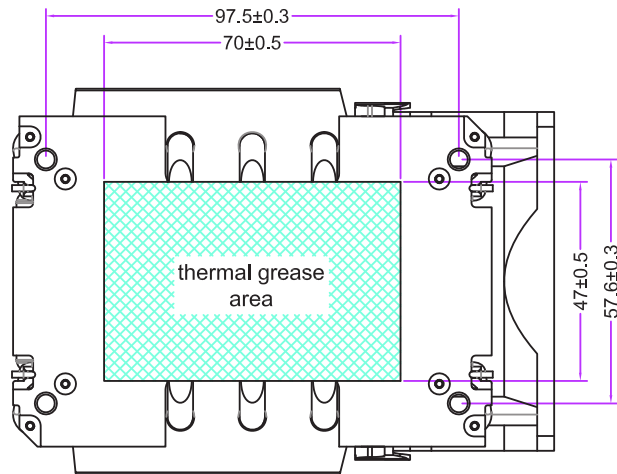
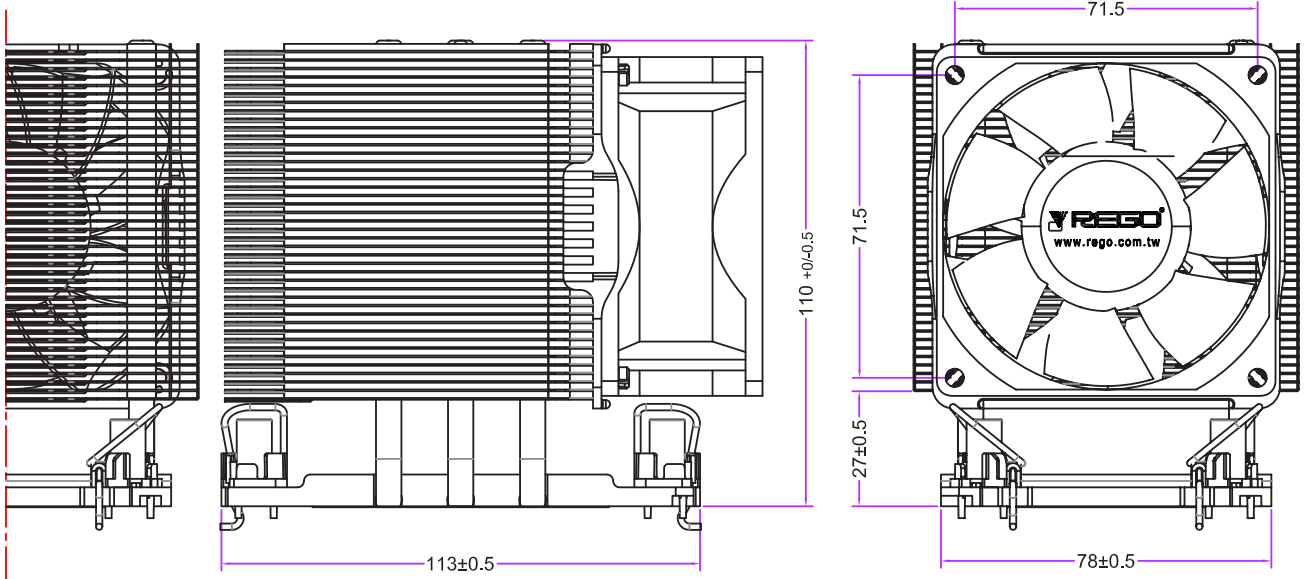
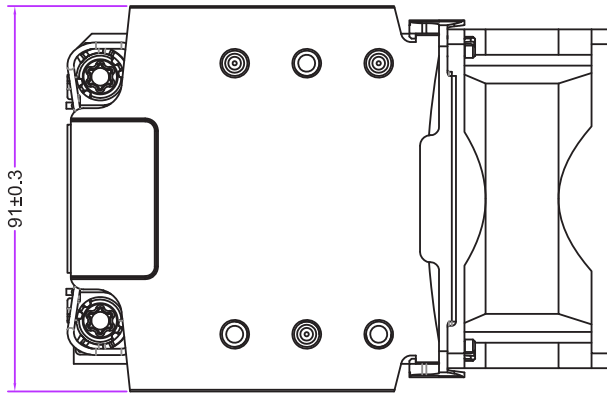



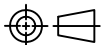
1 2 3 4 5 6

A
B
C
D
E
F
G
H
I
J

A
B
C
D
E
F
G
H
I
J



0.0	14.11.2019
REV	DATE

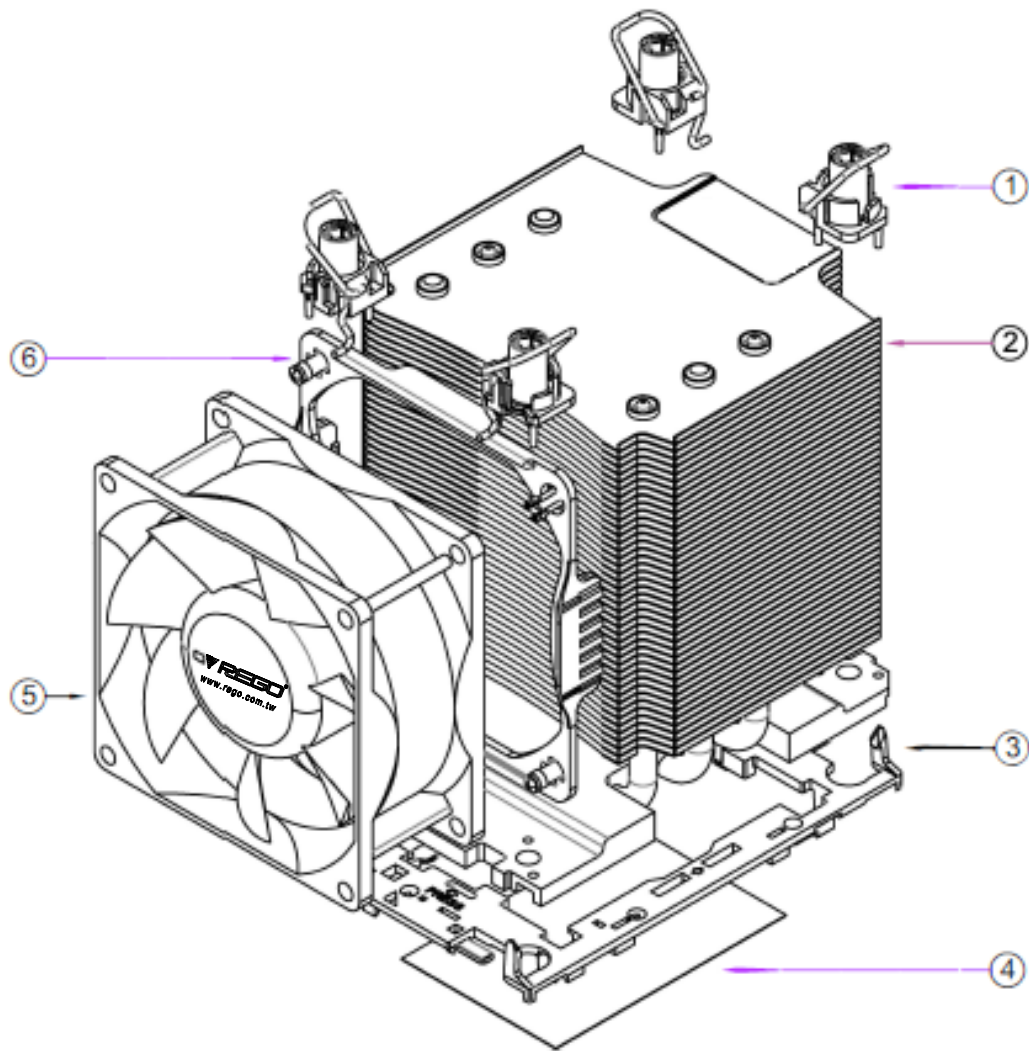
PROPRIETARY NOTE: This document contains confidential information and proprietary to Rego Electronics and shall not be reproduced or disclosed to other documents or used for any purpose other than that for which was obtained without the expressed written consent of Rego Electronics.			
.X ± 0.30	APPROVED:	 http://www.rego.com.tw	TITLE: 3U CPU Cooler for Intel Socket LGA4189 Processors PART NO: RGA320 SHEET: 1 OF 1
.XX ± 0.20	CHECKED:		
.XXX ± 0.15	DRAWN:		
X* ± 3'			
 UNITS: mm SCALE: NONE			

1 2 3 4 5 6

1 2 3 4 5 6 7 8 9 10

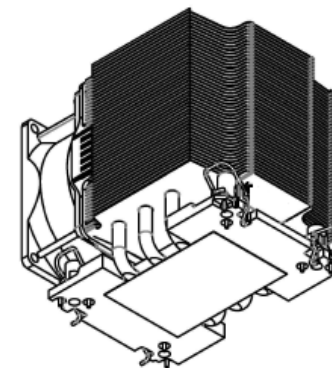
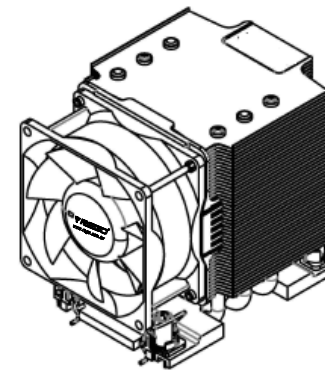
A
B
C
D
E
F

ASSEMBLY PARTS



NOTES:


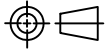
1. THE FIGURE IS FOR REFERENCE ONLY, AND NOT FOR SCALE
2. OVERALL DIMENSION : 113x 78 x 110mm
3. OVERALL WEIGHT : 600g



6	FAN BRACKET	PLASTIC	1
5	FAN, DF1280388E - PWM (3300 RPM)	PLASTIC	1
4	THERMAL GREASE, PRE-PRINTED	SHIN-ETSU 7782	1
3	INTEL PACKAGE CARRIER	PLASTIC	1
2	HEATSINK, with STACKED FINS	HEAT PIPE ALUMINUM BASE ALUMINUM STACKED FIN	1
1	ANTI-TILT ROTATING WIRE ASSEMBLY SET	PLASTIC NUT AND CAPTIVATION STEEL ROTATING WIRE	4
ITEM#	DESCRIPTION	MATERIAL	QTY.

PROPRIETARY NOTE:

This document contains confidential information and proprietary to Rego Electronics and shall not be reproduced or disclosed to other documents or used for any purpose other than that for which was obtained without the expressed written consent of Rego Electronics.

.X ± 0.30	APPROVED:	 http://www.rego.com.tw
.XX ± 0.20	CHECKED:	
.XXX ± 0.15	DRAWN:	
X° ± 3°		
	UNITS:	SCALE:
	mm	NONE
PART NO: RGA320		TITLE: 3U CPU Cooler for Intel Socket LGA4189 Processors
SHEET: 1 OF 1		

0.0	14.11.2019
REV	DATE

1 2 3 4 5 6 7 8 9 10