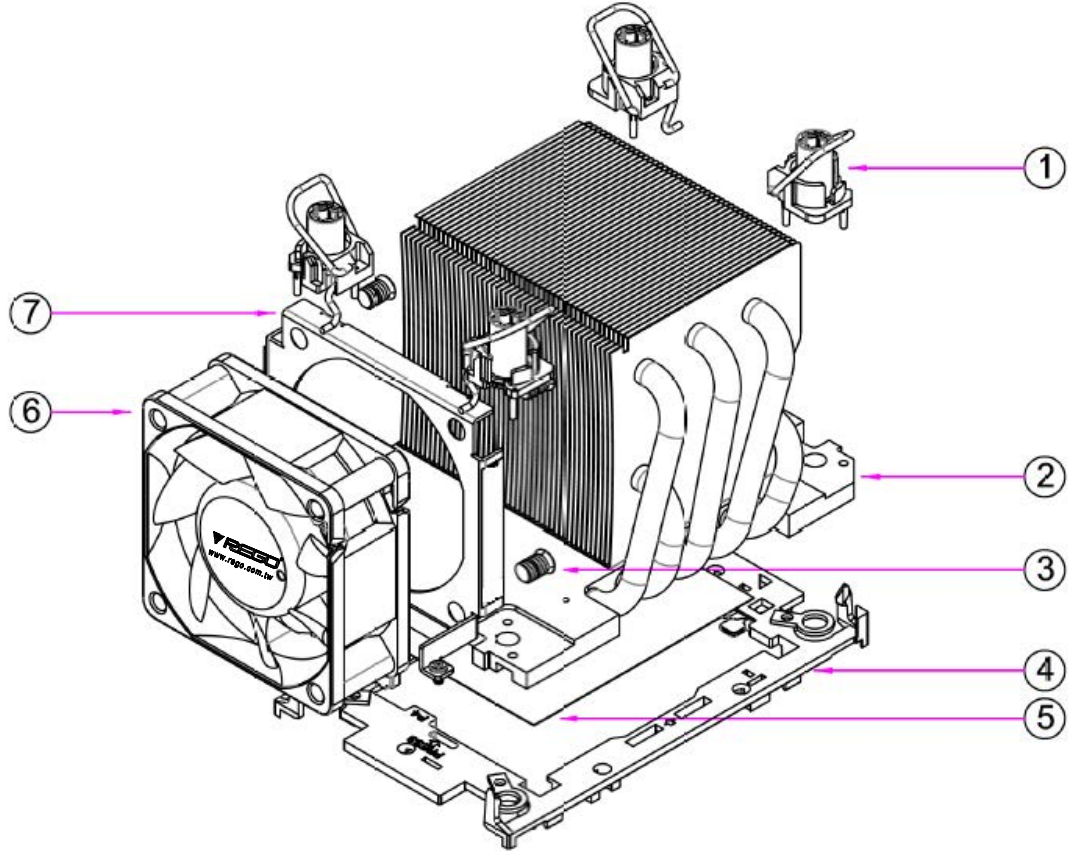


1 2 3 4 5 6 7 8 9 10

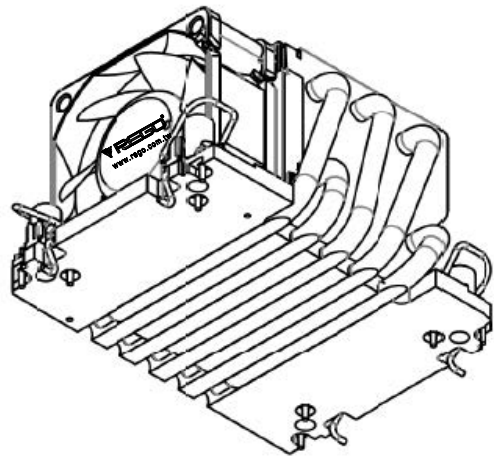
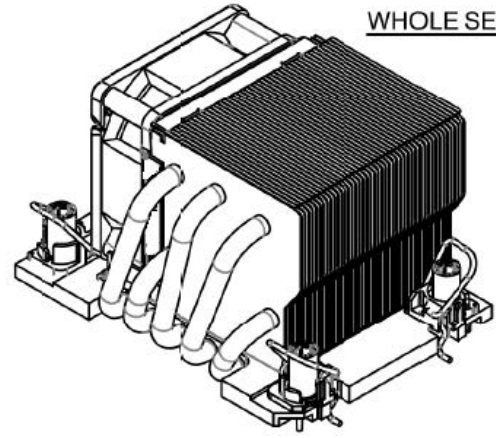
A
B
C
D
E
F

ASSEMBLY PARTS




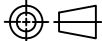
- NOTES:**
 1. THE FIGURE IS FOR REFERENCE ONLY, AND NOT FOR SCALE
 2. OVERALL DIMENSION : 113 x 82 x 66mm
 3. OVERALL WEIGHT : 460 g

WHOLE SET OF HEATSINK



7	FAN BRACKET	ALUMINUM ALLOY	1
6	FAN, DF126025BU-PWM (up to 8900rpm on cooler)	PLASTIC	1
5	THERMAL GREASE, PRE-PRINTED	SHIN-ETSU 7762	1
4	INTEL PACKAGE CARRIER, P4	PLASTIC	1
3	SCREW, FAN MOUNTING	STEEL	4
2	HEATSINK, with STACKED FINS	HEAT PIPES ALUMINUM BASE ALUMINUM STACKED FIN	1
1	ANTI-TILT ROTATING WIRE ASSEMBLY SET	PLASTIC NUT AND CAPTIVATION STEEL ROTATING WIRE	4
ITEM#	DESCRIPTION	MATERIAL	QTY.

PROPRIETARY NOTE:
 This document contains confidential information and proprietary to Rego Electronics and shall not be reproduced or disclosed to other documents or used for any purpose other than that for which was obtained without the expressed written consent of Rego Electronics.

.X ± 0.30	APPROVED: Chris	 http://www.rego.com.tw	
.XX ± 0.20	CHECKED: Andy		
.XXX ± 0.15	DRAWN: Vic		
X* ± 3°	UNITS: mm	SCALE: NONE	TITLE: 2U CPU Cooler for Intel Socket LGA4189 Processors
		PART NO: RGA221	SHEET: 1 OF 1

A	01.2.2021
REV	DATE

1 2 3 4 5 6 7 8 9 10

1

2

3

4

5

6

A

A

B

B

C

C

D

D

E

E

F

F

G

G

H

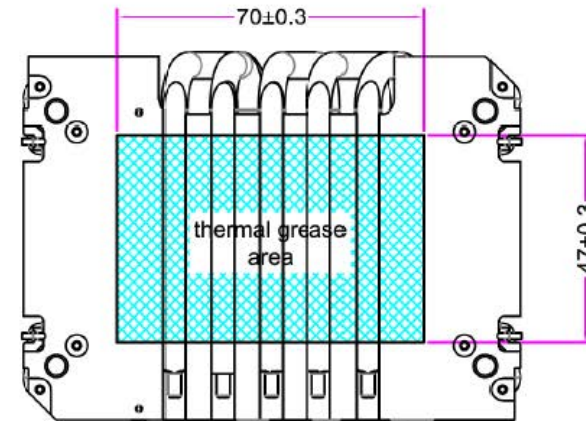
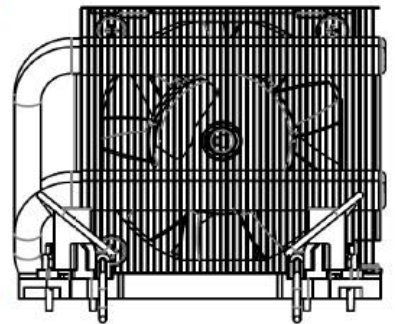
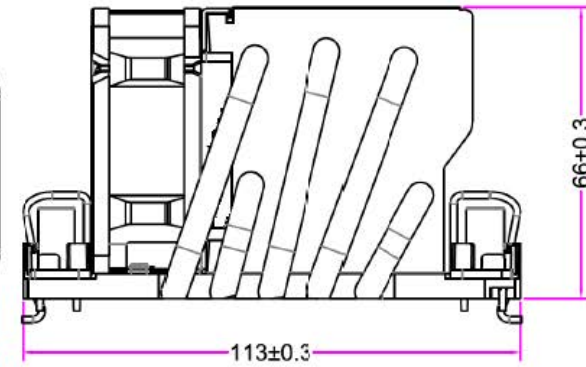
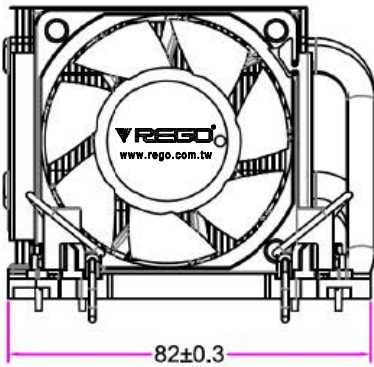
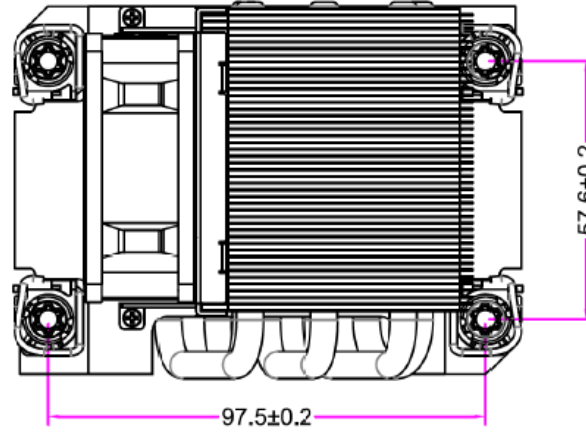
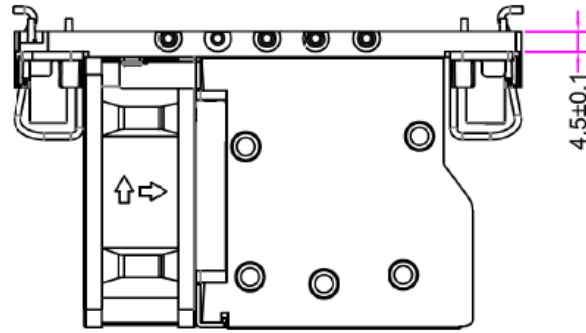
H

I

I

J

J



PROPRIETARY NOTE:

This document contains confidential information and proprietary to Rego Electronics and shall not be reproduced or disclosed to other documents or used for any purpose other than that for which was obtained without the expressed written consent of Rego Electronics.

.X ± 0.30	APPROVED: Chris
.XX ± 0.20	CHECKED: Levi
.XXX ± 0.15	DRAWN: Vic
X* ± 3'	



TITLE: 2U CPU Cooler for Intel Socket LGA4189 Processors

UNITS: mm	SCALE: NONE
-----------	-------------

PART NO: RGA221
SHEET: 1 OF 1

1	01.2.2021
REV	DATE

1

2

3

4

5

6