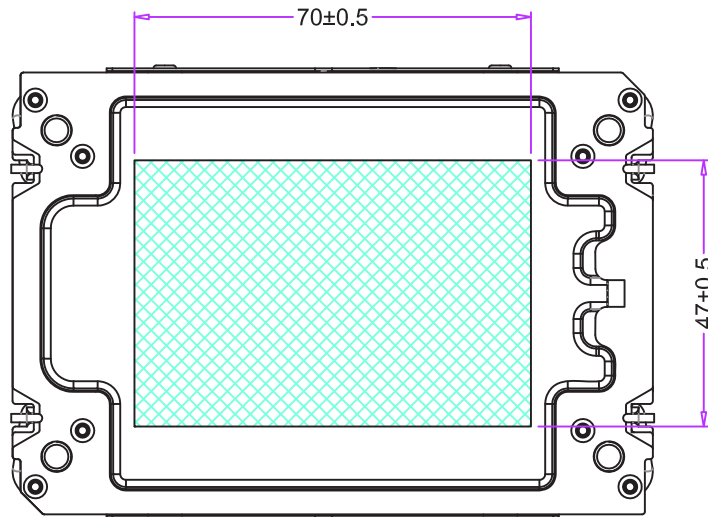
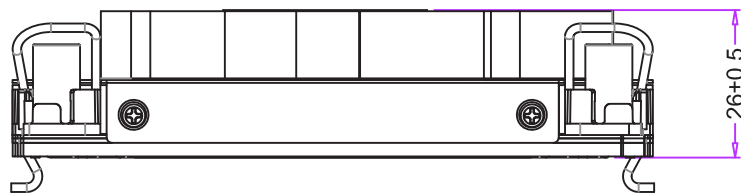
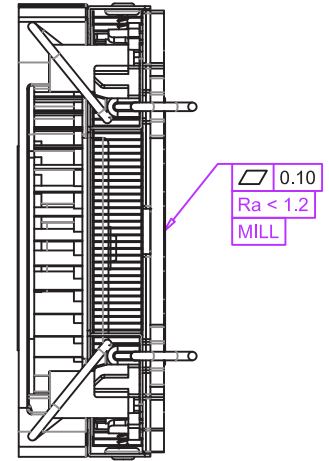
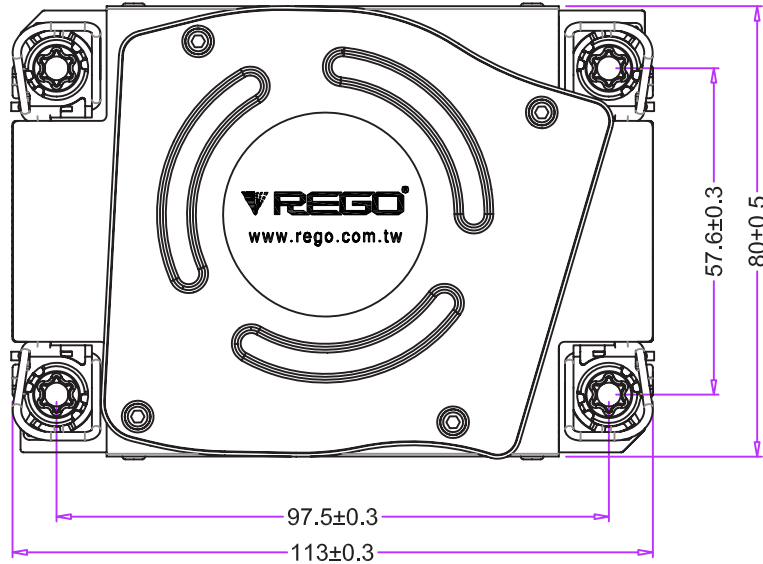
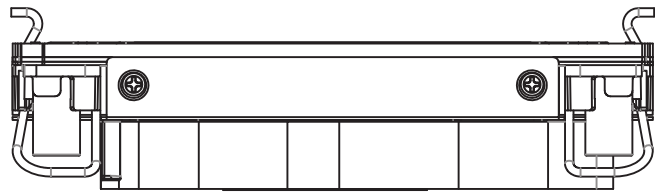



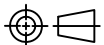
1 2 3 4 5 6

A  
B  
C  
D  
E  
F  
G  
H  
I  
J

A  
B  
C  
D  
E  
F  
G  
H  
I  
J



0.0	12.11.2019
REV	DATE

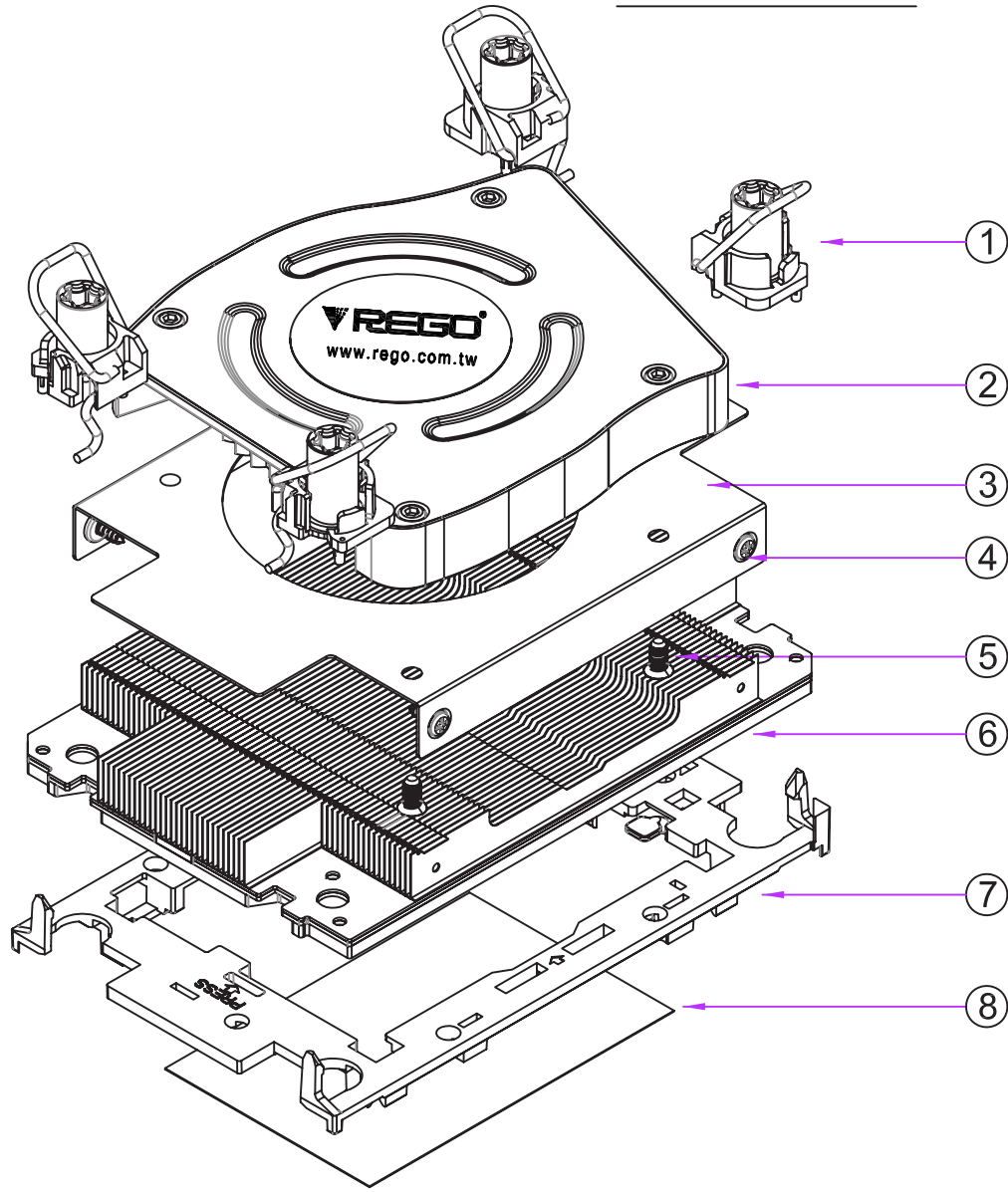
<b>PROPRIETARY NOTE:</b> This document contains confidential information and proprietary to Rego Electronics and shall not be reproduced or disclosed to other documents or used for any purpose other than that for which was obtained without the expressed written consent of Rego Electronics.		
.X ± 0.30	APPROVED: Chris	 <a href="http://www.rego.com.tw">http://www.rego.com.tw</a>
.XX ± 0.20	CHECKED: Levi	
.XXX ± 0.15	DRAWN: Vic	
X* ± 3'		
 UNITS: mm	SCALE: NONE	TITLE: 1U CPU Cooler for Intel Socket LGA4189 Processors PART NO: RGA120 SHEET: 1 OF 1

1 2 3 4 5 6

1 2 3 4 5 6 7 8 9 10

A  
B  
C  
D  
E  
F

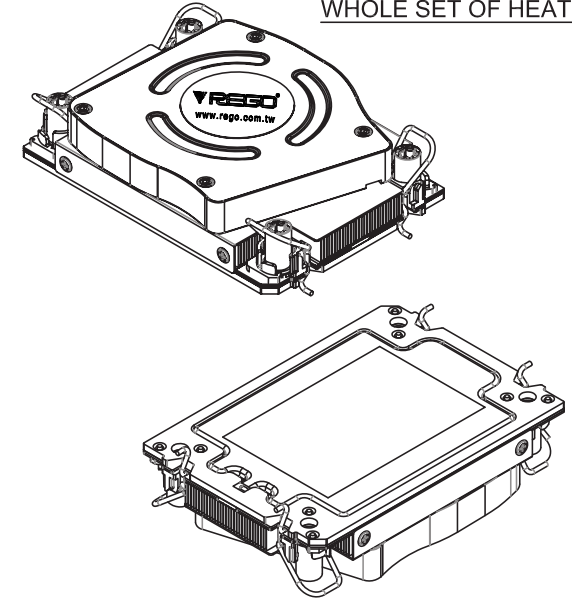
### ASSEMBLY PARTS



### NOTES:

1. THE FIGURE IS FOR REFERENCE ONLY, AND NOT FOR SCALE
2. OVERALL DIMENSION : 113 x 80 x 26 mm
3. OVERALL WEIGHT : 550g


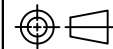
### WHOLE SET OF HEATSINK



8	THERMAL GREASE, PRE-PRINT	SHIN-ETSU 7762	1
7	INTEL PACKAGE CARRIER	PLASTIC	1
6	HEATSINK, STACKED FIN	COPPER 1100, VC BASE SK7 STIFFENER COPPER 1100 FIN	1
5	SCREW, BLOWER MOUNTING	STEEL	4
4	SCREW, BLOWER COVER MOUNTING	STEEL	4
3	BLOWER COVER	SPCC	1
2	BLOWER, DB128013BU-PWMG, 9000 RPM	STEEL FRAME	1
1	ANTI-TILT ROTATING WIRE ASSEMBLY SET	PLASTIC NUT AND CAPTIVATION STEEL ROTATING WIRE	4
ITEM#	DESCRIPTION	MATERIAL	QTY.

### PROPRIETARY NOTE:

This document contains confidential information and proprietary to Rego Electronics and shall not be reproduced or disclosed to other documents or used for any purpose other than that for which was obtained without the expressed written consent of Rego Electronics.

.X ± 0.30	APPROVED:	 <a href="http://www.rego.com.tw">http://www.rego.com.tw</a>
.XX ± 0.20	CHECKED: Chris	
.XXX ± 0.15	DRAWN: Andy	
X° ± 3'	Vic	
 UNITS: mm    SCALE: NONE		TITLE: 1U CPU Cooler for Intel Socket LGA4189 Processors PART NO: RGA120 SHEET: 1 OF 10

0.0	12.11.2019
REV	DATE

1 2 3 4 5 6 7 8 9 10