
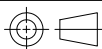


技術要求:

1. 本產品需符合ROHS有害物質管制規範;
2. 焊接採用低溫無鉛錫膏焊接，無虛焊、溢錫等焊接不良;
3. 導熱膏尺寸：70*47*0.15mm，型號：X-23-7868;
4. 導熱膏區域平面度0.08mm，底面整體平面度0.13mm;
5. 組裝後需檢查螺柱、墊圈、扣環是否扣實;
6. 表面不得刮傷,外觀不得髒汙;
7. 噴碼內容：310817
DD:生產日碼（如31號則寫31）
MM:生產月碼（如8月份則寫08）
YY:生產年碼（如2017年則寫17）
8. 所有標注 1 均為重要檢測尺寸，進行FAI檢驗;

PROPRIETARY NOTE: This document contains confidential information and proprietary to Rego Electronics and shall not be reproduced or disclosed to other documents or used for any purpose other than that for which was obtained without the expressed written consent of Rego Electronics.			
.X ± 0.30	APPROVED: Chris	 http://www.rego.com.tw	TITLE: 1U PASSIVE CPU COOLER FOR INTEL LGA 3647 SEREIS PROCESSOR PART NO: RG9120-P
.XX ± 0.20	CHECKED: Denny		
.XXX ± 0.15	DRAWN: Bryan		
X° ± 3'			
	UNITS: mm	SCALE: NONE	SHEET: 1 OF 2

A	30.5.2018
REV	DATE

1 2 3 4 5 6 7 8 9 10

A

B

C

D

E

F

A

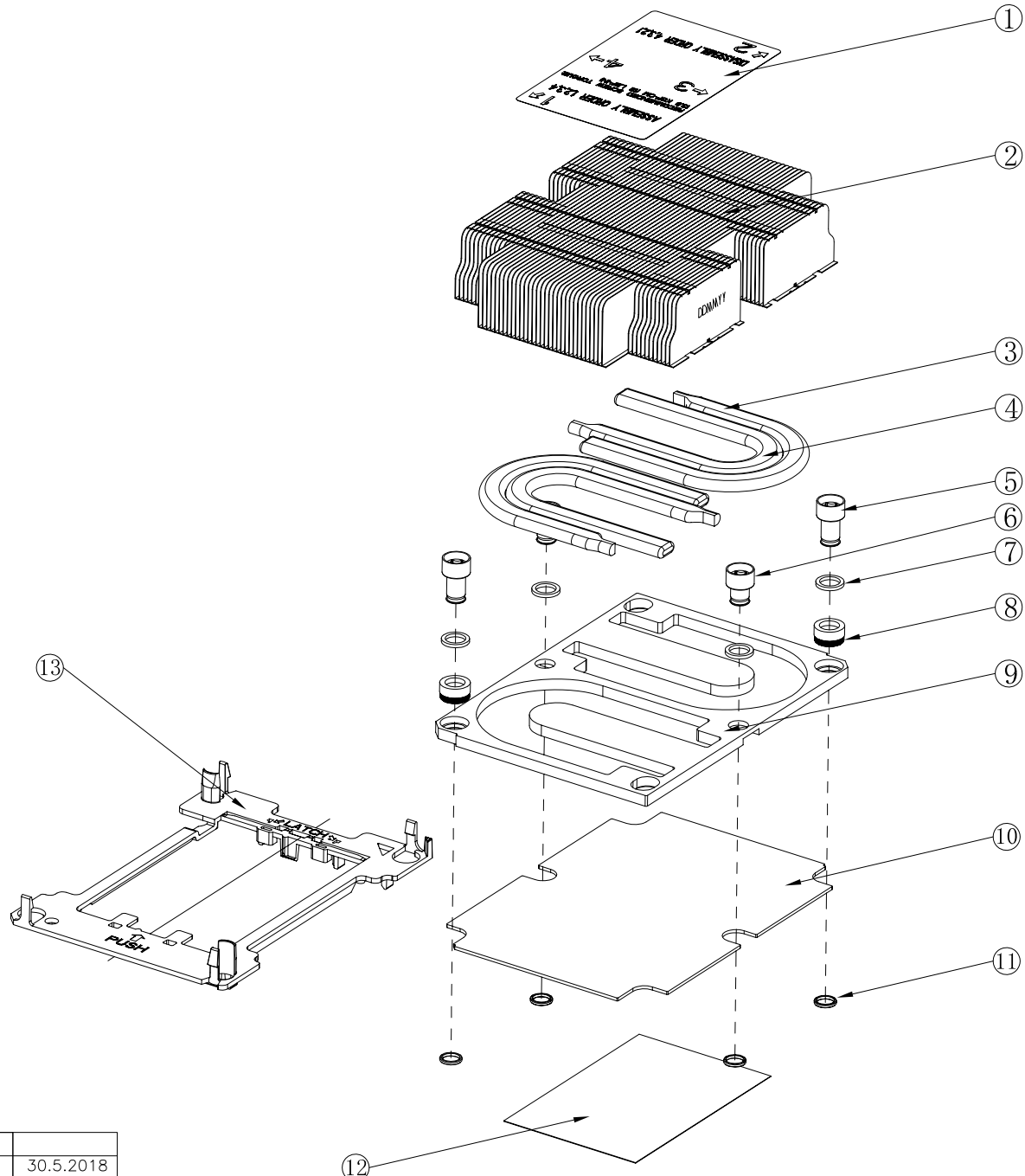
B

C

D




E

F



13	C3-0310-03401	塑胶扣具	2	PC/ABS
12	C3-1120-00901	导热膏	2	7868
11	C3-1411-04701	扣环	2	尼龙66, 白色
10	C3-0202-15401	铜底片	2	CU 1100
9	C3-0102-28201	铜底板	1	AL 1050
8	C3-0422-18201	铆柱	1	SUS 416
7	C3-0426-08301	垫圈	1	赛钢, 白色
6	C3-0408-22501	M4 螺钉	1	SUS 316
5	C3-0408-22601	M4-1 螺钉	2	SUS 316
4	C3-0206-40801	热管A	1	CU 1020
3	C3-0206-40901	热管B	4	CU 1020
2	C3-0201-03401	铜扣Fin	4	CU 1100
1	C3-1231-31601	标签	1	消银特多龙
ITEM	PART NO.	PART NAME	QT'Y	REMARKS

PROPRIETARY NOTE:
 This document contains confidential information and proprietary to Rego Electronics and shall not be reproduced or disclosed to other documents or used for any purpose other than that for which was obtained without the expressed written consent of Rego Electronics.

.X ± 0.30	APPROVED: Chris	 http://www.rego.com.tw
.XX ± 0.20	CHECKED: Denny	
.XXX ± 0.15	DRAWN: Bryan	
X° ± 3°		
 	UNITS: mm	SCALE: NONE
PART NO: RG9120-P		SHEET: 2 OF 2

A	30.5.2018
REV	DATE

1 2 3 4 5 6 7 8 9 10