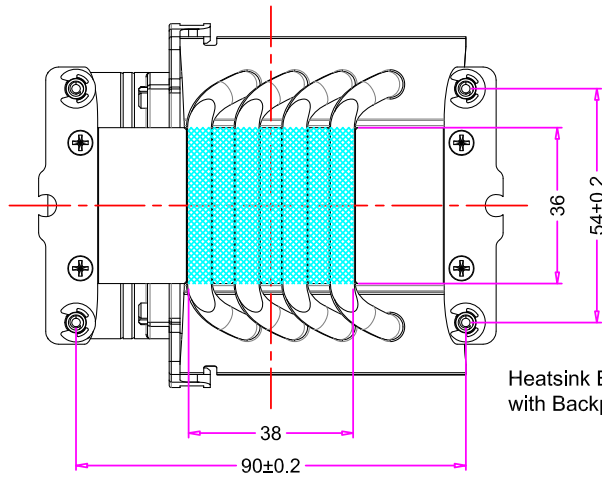
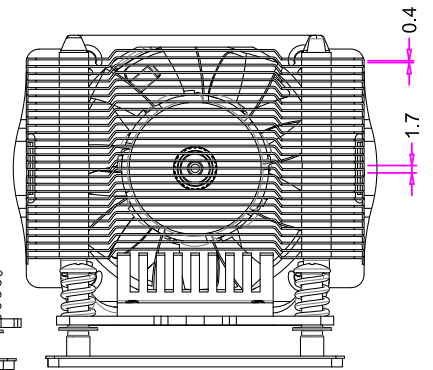
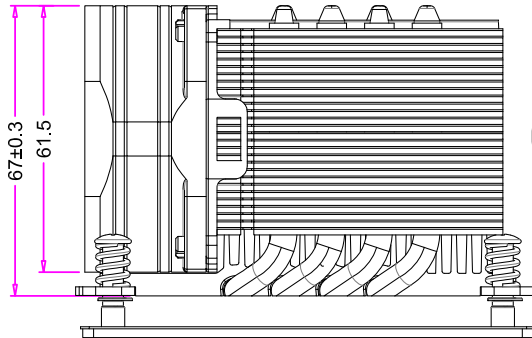
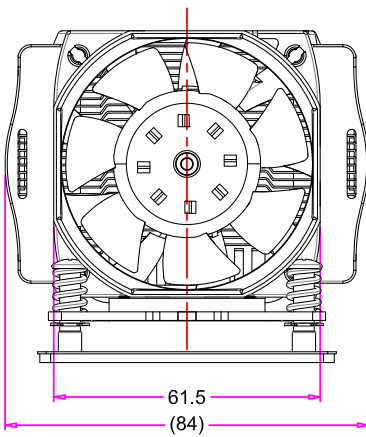
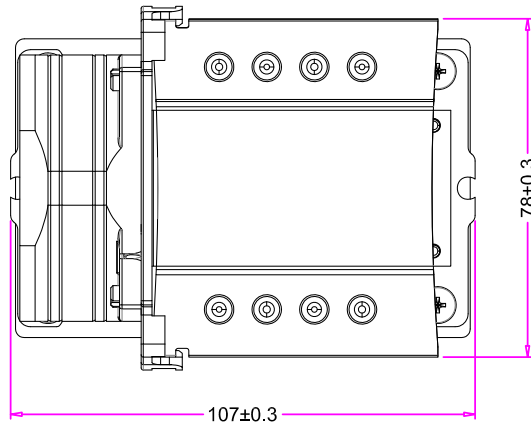


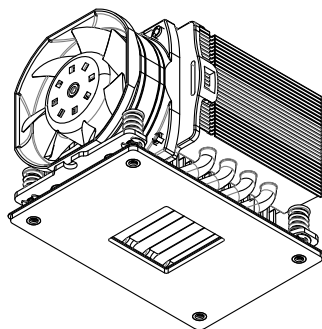
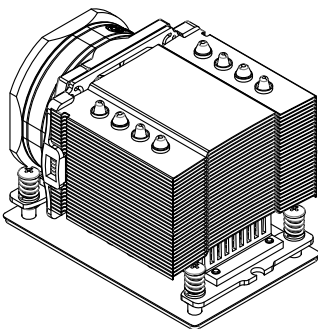
1 2 3 4 5 6

A  
B  
C  
D  
E  
F  
G  
H  
I  
J

A  
B  
C  
D  
E  
F  
G  
H  
I  
J




Heatsink Bottom View with Backplate Hidden



11	Insulator	PC, with Dual-Side Adhesive	1
10	Backplate	SPCC	1
9	Thermal Grease, Pre-Printed	Shin-Etsu, 7762	1
8	C-ring	Steel	4
7	Screw, Heatsink Bracket	Steel	4
6	Bracket	SK7, Thk 2.0mm	2
5	Spring (0940)	SWP	4
4	Heatsink, Stacked Fin	Aluminum + Heatpipe	1
3	Screw, # 6-32 UNC	Steel	4
2	Fan Bracket	Plastic	1
1	Fan, DF126028BM-PWMG, 7000RPM	Plastic	1
Item#	Description	Material	QTY.

**PROPRIETARY NOTE:**

This document contains confidential information and proprietary to Rego Electronics and shall not be reproduced or disclosed to other documents or used for any purpose other than that for which was obtained without the expressed written consent of Rego Electronics.

.X ± 0.30	APPROVED:	 <a href="http://www.rego.com.tw">http://www.rego.com.tw</a>
.XX ± 0.20	Chris	
.XXX ± 0.15	CHECKED:	
X* ± 3'	Levi	
	DRAWN:	TITLE: 2U CPU Cooler for AMD Socket AM4 Processors
	Vic	PART NO: RGM3220
	UNITS: mm	SCALE: NONE
		SHEET: 1 OF 1

0.0	17.5.2017
REV	DATE

1 2 3 4 5 6