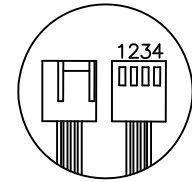
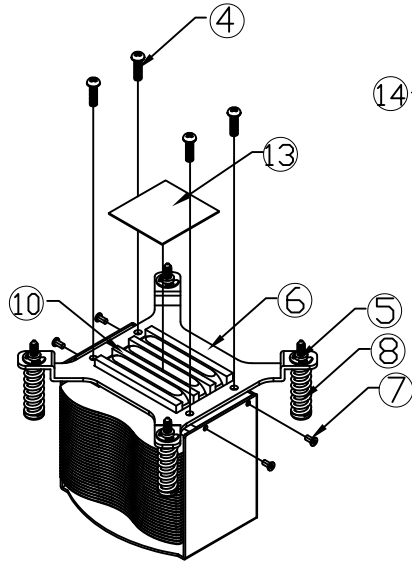
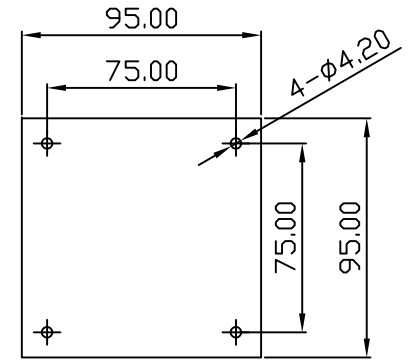
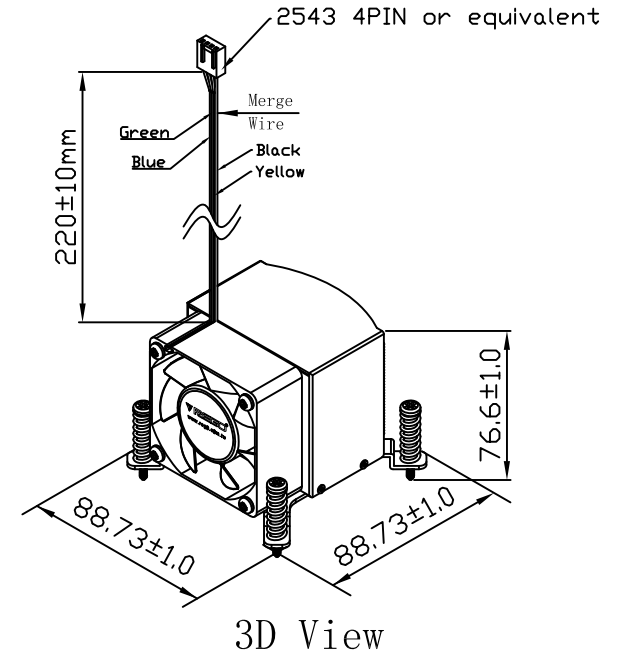
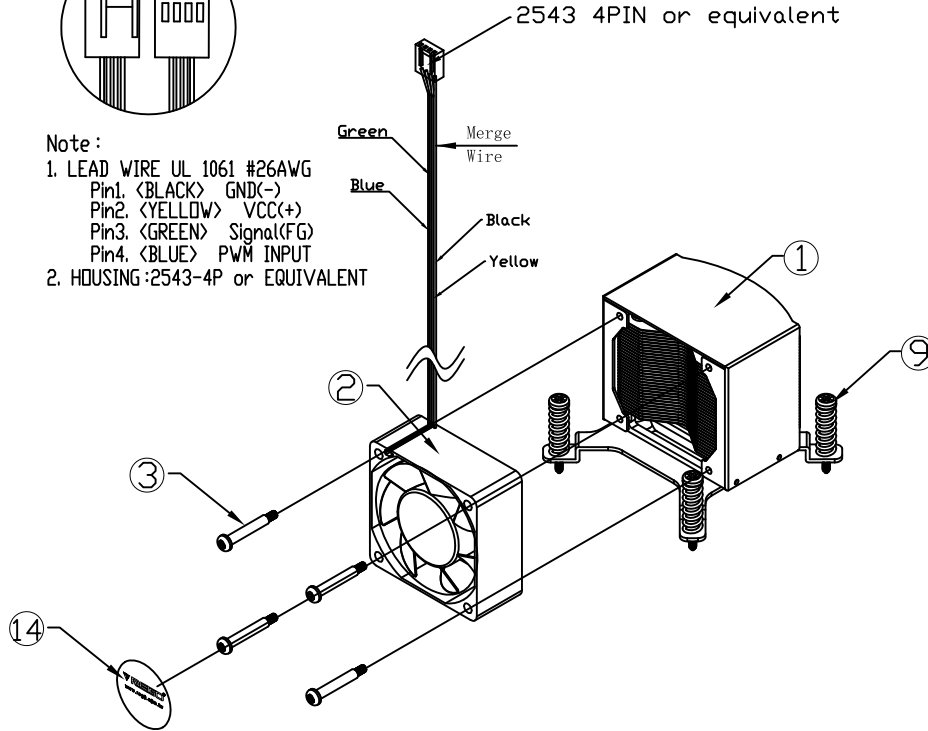
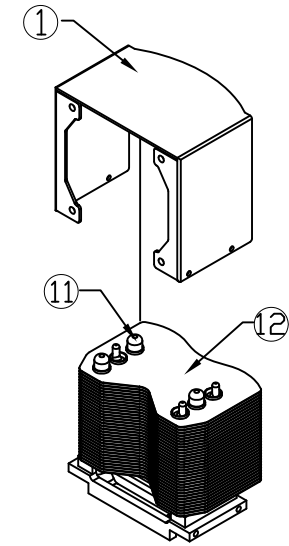


Scale 2:1



Note:

1. LEAD WIRE UL 1061 #26AWG
Pin1. <BLACK> GND(-)
Pin2. <YELLOW> VCC(+)
Pin3. <GREEN> Signal(FG)
Pin4. <BLUE> PWM INPUT
2. HOUSING :2543-4P or EQUIVALENT



14	RGE-ST002-1	LABLE	1
13	GREASE	GREASE X23-7762 30*30*0.15mm	1
12	AL FIN (30 FINS)	AL 1050 沖壓	1
11	HEAT PIPE	C1020 φ6 燒結管_折彎_抗氧化	3
10	AL BASE	AL 壓鑄成型	1
9	CLIP SCREW	SAE C1018 或 SAE 1215MS_鍍色_M3*5.1X39.5mm	4
8	CLIP Spring	SPRING_SWP_鍍色_φ1.3x25.9Lmm_8圈	4
7	COVER SEREW	SAE C1018 或 SAE 1215MS_鍍色_M2*5mm	4
6	1156 CLIP	1156_CLIP	1
5	E-RING	SK7_鍍色_φ9.0x0.6mm	4
4	AL BASE SCREW	SAE C1018 或 SAE 1215MS_鍍色_M3*8mm	4
3	FAN SCREW	SAE C1018 或 SAE 1215MS_鍍色_M3*29.9mm	4
2	FAN 6025	FAN 6025, EVERFLOW P/N: R126025BUAF7C8cR	1
1	FAN COVER	AL 5052 T=1.0mm 沖壓折彎	1
ITEM	PART	DESCRIPTION	QTY

PROPRIETARY NOTE:

This document contains confidential information and proprietary to Rego Electronics and shall not be reproduced or disclosed to other documents or used for any purpose other than that for which was obtained without the expressed written consent of Rego Electronics.

.X ± 0.30
.XX ± 0.20
.XXX ± 0.15
X° ± 3'

APPROVED: Chris
CHECKED: Levi
DRAWN: Vic



TITLE: 2U CPU Cooler For Intel 115x Processors

UNITS: mm
SCALE: NONE

PART NO: RG3216-EF-A004
SHEET: 1 OF 1

REV	DESCRIPTION	Section	Date
1	首次發行		2019.08.26
2	加註 pipe & fin detailed dimension	加註於 page.6	2020.09.15