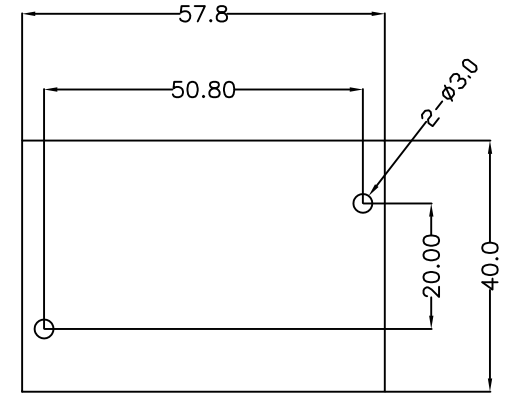
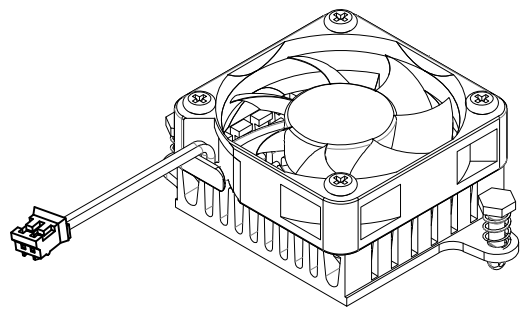
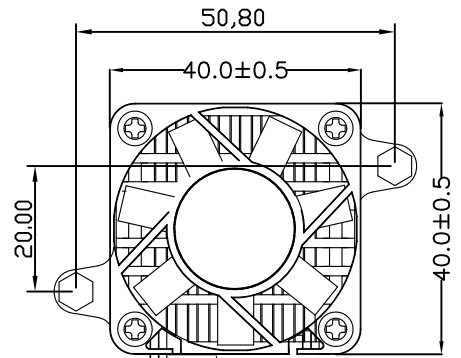
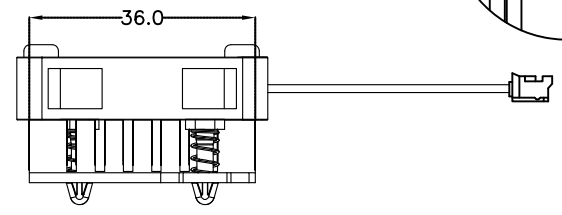
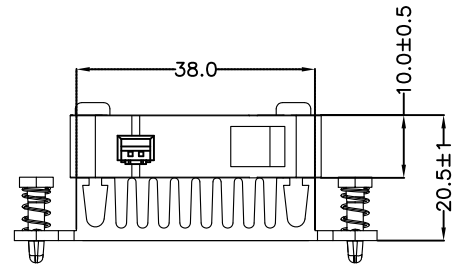


A	15.10.2020
REV	DATE



PCB LAYOUT


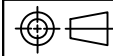


- NOTES:
- LEAD WIRE: UL1007 AWG#26
Pin1. BLACK WIRE----(-)
Pin2. RED WIRE-----(+)
 - HOUSING: JST PH2.0 2P or EQUIVALENT

Notes:

ITEM	DESCRIPTION	MATERIAL	FINISH/COLOR	Qty
0	Fan Screw	steel	bright nickel	4
1	Fan	engineering plastic	black	1
2	Heat Sink	AL6063	Black Anodize	1
3	PUSH PIN		black	2

PROPRIETARY NOTE:
This document contains confidential information and proprietary to Rego Electronics and shall not be reproduced or disclosed to other documents or used for any purpose other than that for which was obtained without the expressed written consent of Rego Electronics.

.X ± 0.30	APPROVED: Chris	 http://www.rego.com.tw	
.XX ± 0.20	CHECKED: Levi		
.XXX ± 0.15	DRAWN: Vic		
X* ± 3'		TITLE: CHIP Cooler 40x40x23MM	
	UNITS: mm	SCALE: NONE	PART NO: RG8400-A
			SHEET: 1 OF 1