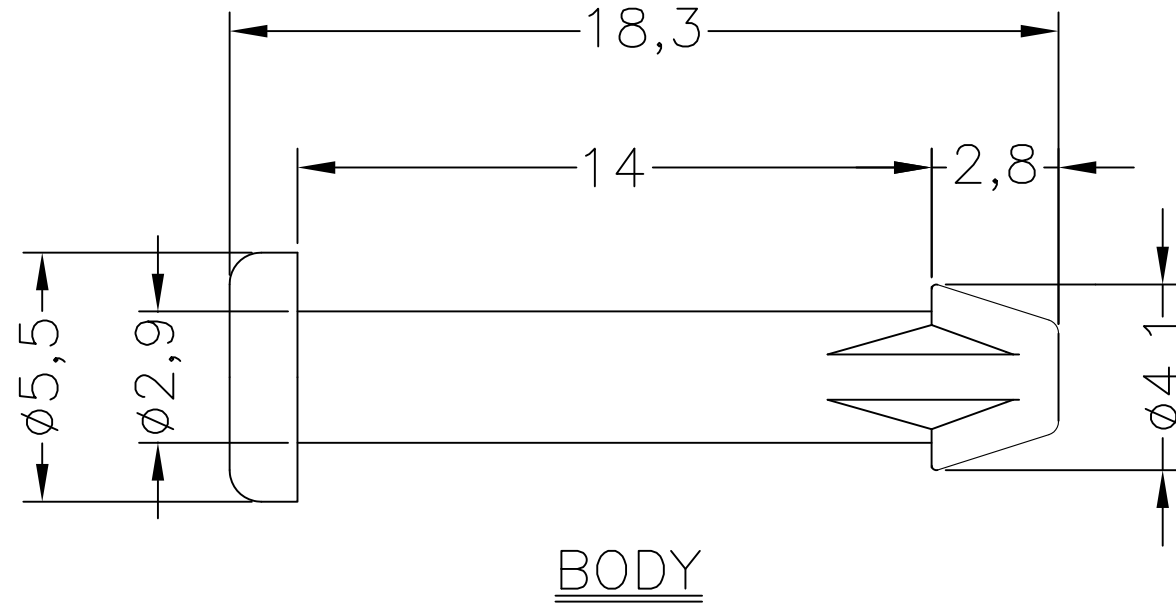
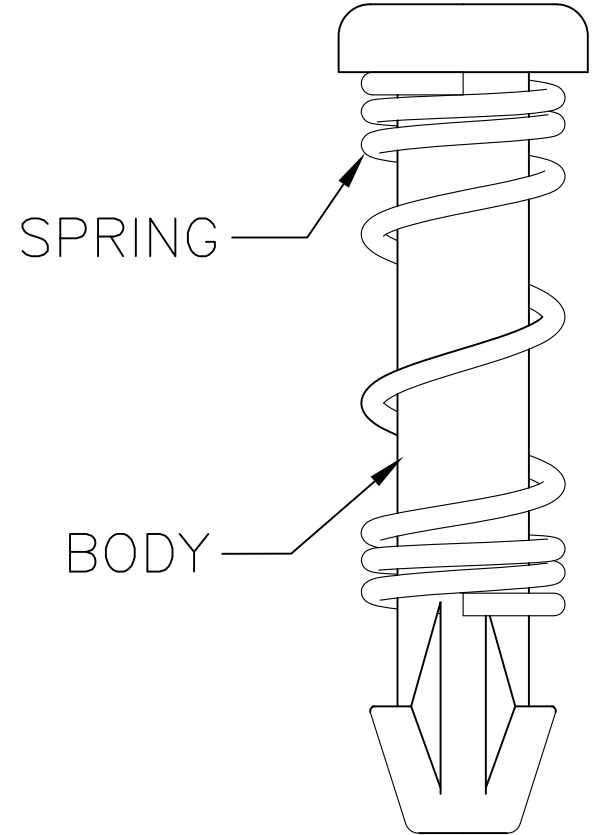


1 2 3 4 5 6 7 8 9 10

A
B
C
D
E
F



BODY



SPRING


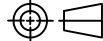
BODY

NOTE:
All measurement does not include gate which raises under 0.3mm.

HOLE IN P.C.B $\phi 3.0$
HOLE IN HEAT SINK $\phi 3.2^{+0.2}_0$

SPRING	
TOTAL COIL	8
DIRECTION	TO RIGHT
WIRE DLAMETER	$\phi 0.5^{\pm 0.1}$
OUTSIDE DIAMETER	$\phi 4.5^{\pm 0.2}$
FREE LENGTH	12.0 ^{REF.}

PROPRIETARY NOTE:
This document contains confidential information and proprietary to Rego Electronics and shall not be reproduced or disclosed to other documents or used for any purpose other than that for which was obtained without the expressed written consent of Rego Electronics.

.X ± 0.30	APPROVED: Chris	 http://www.rego.com.tw	
.XX ± 0.20	CHECKED: Denny		
.XXX ± 0.15	DRAWN: Bryan		
X* ± 3	TITLE: Push pin		
	UNITS: mm	SCALE: NONE	PART NO: 856-TMAPP001
			SHEET: 1 OF 1

REV	DESCRIPTION	DATE
A	RELEASE	02.20.2014

1 2 3 4 5 6 7 8 9 10