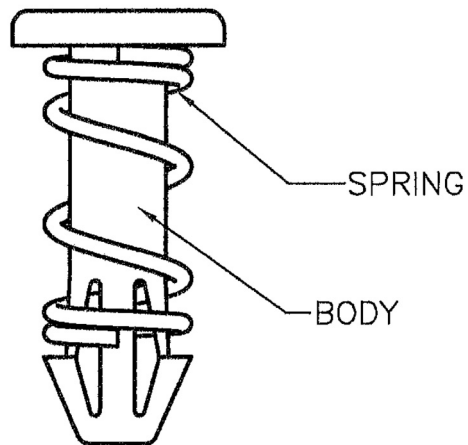


BODY




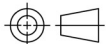
HOLE IN PCB $\phi 3.0$
 HOLE IN HENTSINK $\phi 3.2$ ^{+0.2}₋₀

Note: All measurement does not include gate which raises under 0.3mm

- 1. Material: Nylon 66 UL94V-2
- 2. Color: Black
- 3. Spring Material: SWP
- 4. Spring Finish: Ni Plated

SPRING	
TOTAL COIL	5
Direction	TO LEFT
Spring Diameter	$\phi 0.5$ ^{±0.05}
Outside Diameter	$\phi 4.3$
Total Length	8.7 ^{REF.}

PROPRIETARY NOTE:
 This document contains confidential information and proprietary to Rego Electronics and shall not be reproduced or disclosed to other documents or used for any purpose other than that for which was obtained without the expressed written consent of Rego Electronics.

.X ± 0.30	APPROVED: Chris	 http://www.rego.com.tw	
.XX ± 0.20	CHECKED: Denny		
.XXX ± 0.15	DRAWN: Ken		
X° ± 3'		TITLE: PUSH PIN HSR-35-356 + SPRING	
	UNITS: mm	SCALE: NONE	PART NO: 856-FE25003-20100
			SHEET: 1 OF 1

A	18.3.2019
REV	DATE