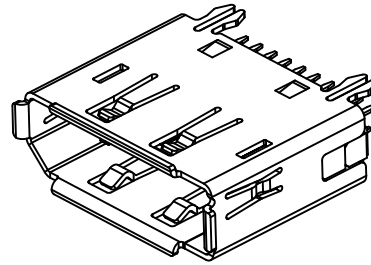
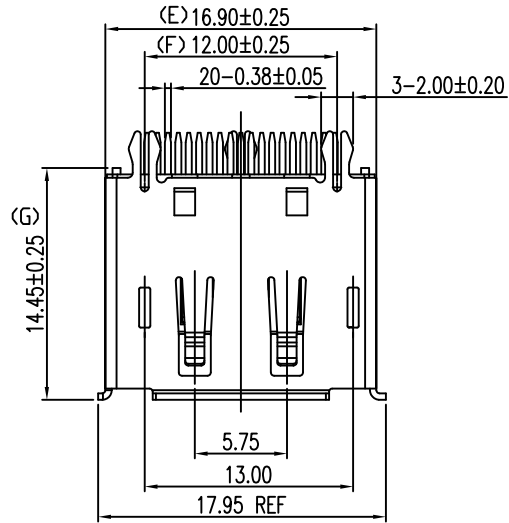


1 2 3 4 5 6 7 8 9 10

A  
B  
C  
D  
E  
F

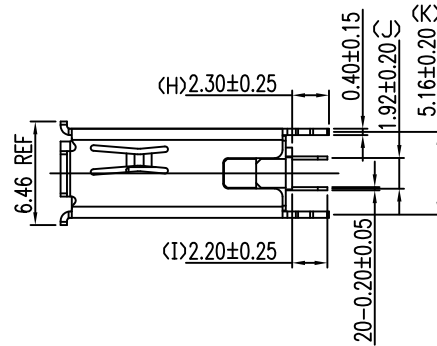
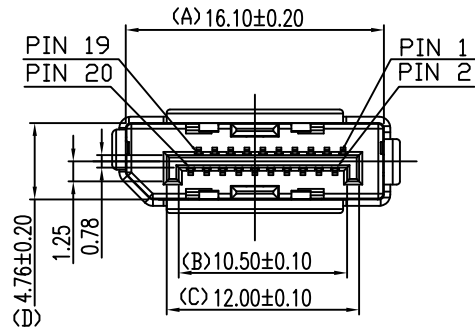


NOTES

- MATERIAL:  
Housing:LCP, UL 94V-0, Color:Black.  
Terminal:Copper Alloy.  
Shell:Brass.
- FINISH:  
Terminal:Gold Plated over Nickel at Contact Area.  
Tin Plated over Nickel at Solder Area.  
Shell:Solderable Nickel Plated.
- This Product is LEAD-FREE & RoHS Compliance Product.

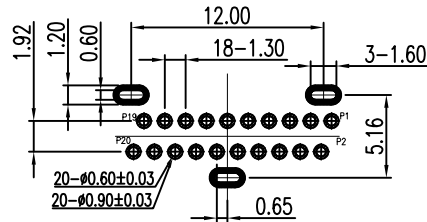
SPECIFICATIONS

- Displayport
- Voltage: 40 VAC(RMS) Max.
- Current Rating: 0.5 Ampere per Contact
- Contact Resistance: 30 Milliohms Max.
- Insulation Resistance: 100 Megohms Min.
- Dielectric Withstanding Voltage: 500 VAC(RMS)
- Total Mating Force: 4.5 Kgf Max.
- Total Unmating Force: 1.0 Kgf Min.
- Operating Temperature: -55°C to +85°C



915DPXXX-1XXX0XXN0


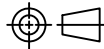
SERIES NO.	N: IT'S COMPLIANT WITH RoHS
NUMBER OF POSITION 20: 20-POSITION	INSULATOR MATERIALS 1: PBT 2: LCP 3: PAST
CONTACT STYLE S: SOCKET	COLOR STYLE 1: ALL BLACK
CONTACT MATERIALS 1: BRASS	STYLE 2: Short flanging & TRIPLE ARROWHEAD BOARDLOCK 3: Long flanging & TRIPLE ARROWHEAD BOARDLOCK
CONTACT FINISH 1: G/F BRIGHT TIN 3: 15u" BRIGHT TIN 4: 30u" BRIGHT TIN 7: G/F MATTE TIN 8: 15u" MATTE TIN 9: 30u" MATTE TIN	FRONT SHELL FINISH 8: SOLDERABLE NICKEL



RECOMMENDED P.C.B. LAYOUT  
INSPECTION DIMENSION:(A)~(K)

PROPRIETARY NOTE:

This document contains confidential information and proprietary to Rego Electronics and shall not be reproduced or disclosed to other documents or used for any purpose other than that for which was obtained without the expressed written consent of Rego Electronics.

.X ± 0.30	APPROVED: Chris	 <a href="http://www.rego.com.tw">http://www.rego.com.tw</a>
.XX ± 0.20	CHECKED: Andy	
.XXX ± 0.15	DRAWN: Vic	
X* ± 3'		
	UNITS: mm	SCALE: NONE
TITLE: Display Port Female Vertical Type		PART NO: 915DP20S-1782012N0
SHEET: 1 OF 1		

AO	21.1.2016
REV	DATE

1 2 3 4 5 6 7 8 9 10