

### NOTES


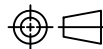
- MATERIAL:**  
 Housing:LCP, UL 94V-0, Color:Black.  
 Bracket:LCP, UL 94V-0, Color:Black.  
 Terminal:Copper Alloy.  
 Shell(UPPER):Stainless Steel.  
 Shield(outside):Stainless Steel.  
 Shield(inside):Stainless Steel.  
 Boardlock:SK5.  
 Screw:Steel.
- FINISH:**  
 Terminal:Selected Gold Plated in Contact Area,  
 100u" MIN. Tin Plated in Solder Area,  
 30u" MIN. Nickel Underplated Overall.  
 Shield(outside):Nickel Plated.  
 Shield(inside):Nickel Plated.  
 Screw:Nickel Plated.  
 Boardlock:Tin Plated.
- This Product is RoHS Compliance Product.

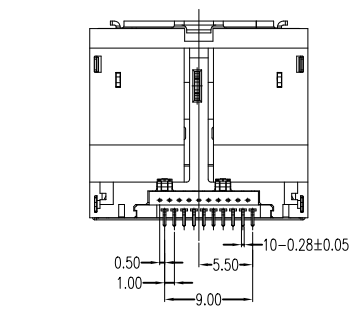
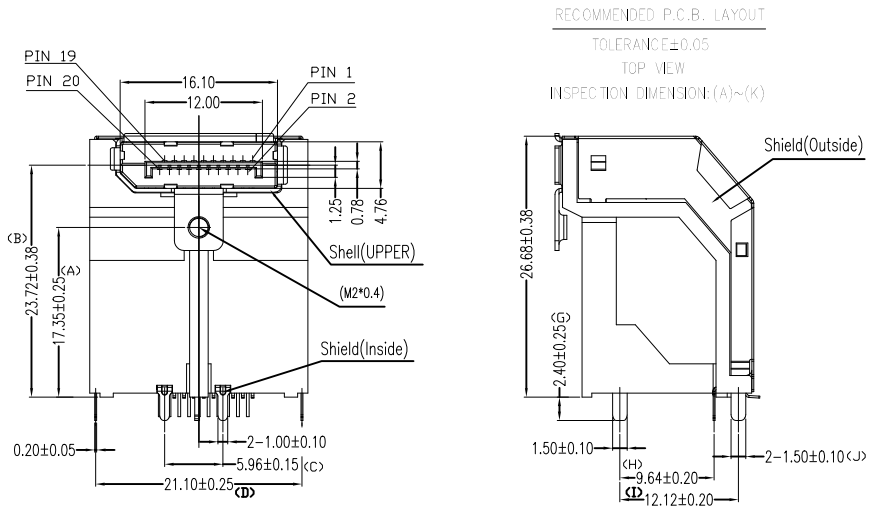
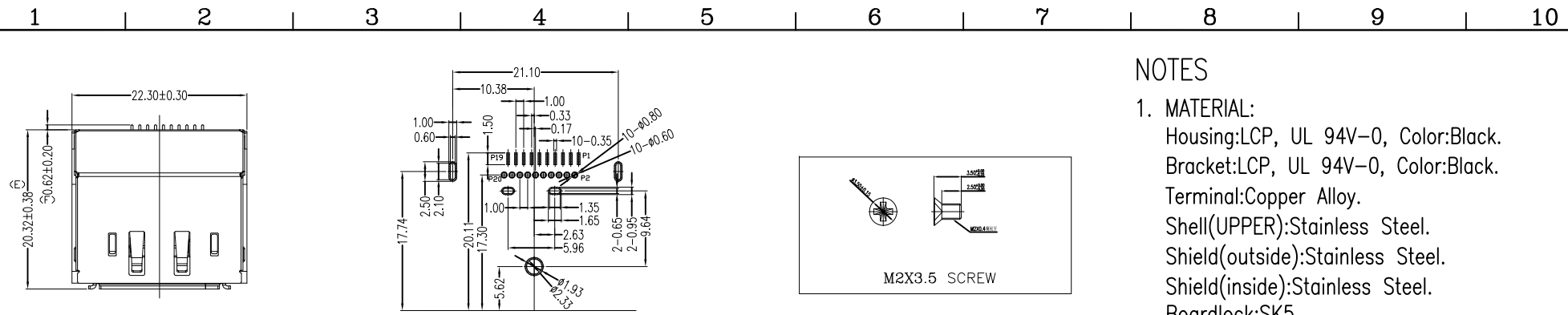
### SPECIFICATIONS

- Displayport**
  - Voltage: 40 VAC(RMS) Max.
  - Current Rating: 0.5 Ampere per Pontact
  - Contact Resistance: 30 Milliohms Max.
  - Insulation Resistance: 100 Megohms Min.
  - Dielectric Withstanding Voltage: 500V DC(RMS)
  - Total Mating Force: 4.5 Kgf Max.
  - Total Unmating Force: 1.0 Kgf Min.
  - Operating Temperature: -25°C to +85°C

#### PROPRIETARY NOTE:

This document contains confidential information and proprietary to Rego Electronics and shall not be reproduced or disclosed to other documents or used for any purpose other than that for which was obtained without the expressed written consent of Rego Electronics.

.X ± 0.30	APPROVED: Chris	
.XX ± 0.20	CHECKED: Andy	
.XXX ± 0.15	DRAWN: Vic	TITLE: Display Port High-Rise Type
X° ± 3°	UNITS: mm	SCALE: NONE
	SCALE: NONE	PART NO: 915DP20S-1783G12N0
		SHEET: 1 OF 1



**915DPXXX 1XXXXXXN0**

SERIES NO. N: IT'S COMPLIANT WITH RoHS

NUMBER OF POSITION 20: 20-POSITION

CONTACT STYLE S: SOCKET

CONTACT MATERIALS 1: BRASS

CONTACT FINISH 7: G/F MATTE TIN  
8: 15u" MATTE TIN  
9: 15u" MATTE TIN

SHELL FINISH 8: SOLDERABLE NICKEL

INSULATOR MATERIALS 2: LCP

COLOR STYLE 1: ALL BLACK

FLANGE MOUNTING OPTION 2: M2 THREADED HOLE  
G: M2 THREADED HOLE WITH M2 SCREWLOCK INSTALLED (M2x3.5)

BOARD MOUNTING OPTION 3: TRIPLE ARROWHEAD BOARDLOCK

SOURCE SIDE		SINK SIDE	
PIN NO.	PIN NAME	PIN NO.	PIN NAME
1	ML_Lane 0 (p)	1	ML_Lane 3 (n)
2	GND	2	GND
3	ML_Lane 0 (n)	3	ML_Lane 3 (p)
4	ML_Lane 1 (p)	4	ML_Lane 2 (n)
5	GND	5	GND
6	ML_Lane 1 (n)	6	ML_Lane 2 (p)
7	ML_Lane 2 (p)	7	ML_Lane 1 (n)
8	GND	8	GND
9	ML_Lane 2 (n)	9	ML_Lane 1 (p)
10	ML_Lane 3 (p)	10	ML_Lane 0 (n)
11	GND	11	GND
12	ML_Lane 3 (n)	12	ML_Lane 0 (p)
13	CONFIG1	13	CONFIG1
14	CONFIG2	14	CONFIG2
15	AUX CH (p)	15	AUX CH (p)
16	GND	16	GND
17	AUX CH (n)	17	AUX CH (n)
18	Hot Plug Detect	18	Hot Plug Detect
19	Return	19	Return
20	DP_PWP	20	DP_PWR

AO	31.8.2018
REV	DATE