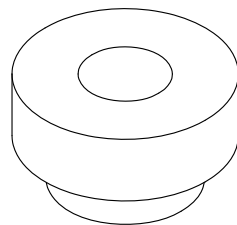
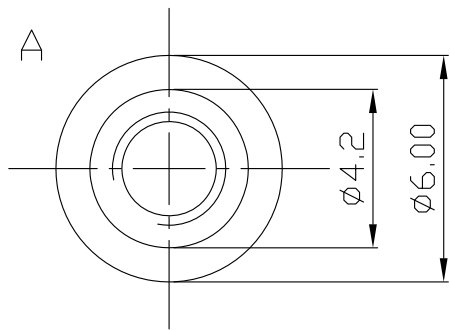
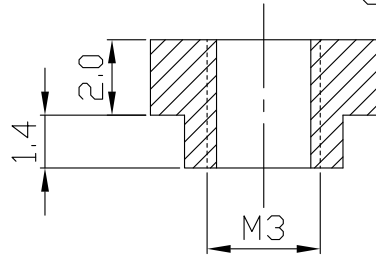


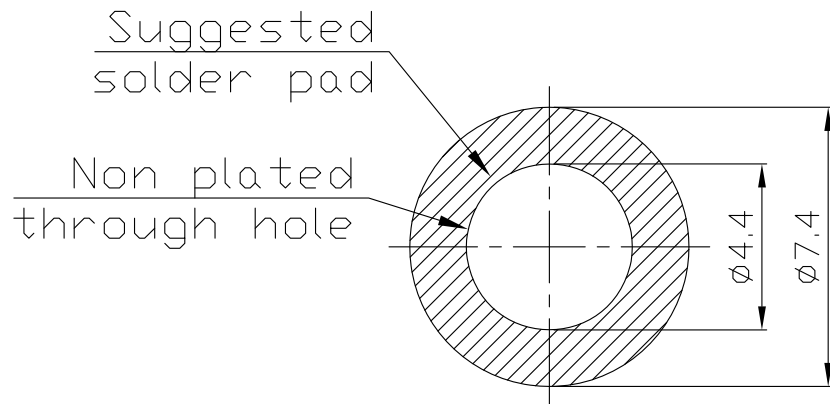
sectional drawing A-A



NOTES:

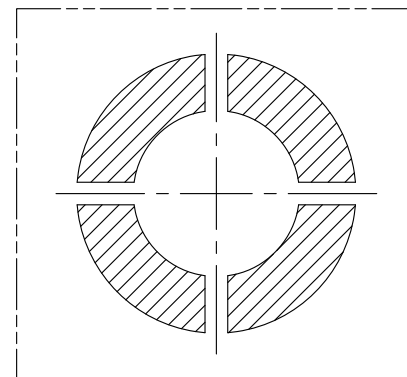
1. MATEREAL  
1-1.BRASS.  
1-2.FINISH:NICKEL(30~150u'')UNDERPLATING  
ALL OVER BASE MATERIAL.  
MATTE TIN(40~80u'') PLATING  
OVER UNDERPLATE.

Recommended land pattern:




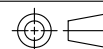
Stencil suggestion:

Stencil Example



PROPRIETARY NOTE:

This document contains confidential information and proprietary to Rego Electronics and shall not be reproduced or disclosed to other documents or used for any purpose other than that for which was obtained without the expressed written consent of Rego Electronics.

|   |                 |  |
|---|-----------------|--|
| .X ± 0.30   | APPROVED: Chris | <br><a href="http://www.rego.com.tw">http://www.rego.com.tw</a> |
| .XX ± 0.20  | CHECKED: Denny  |  |
| .XXX ± 0.15   | DRAWN: Vicky    |  |
| X* ± 3'   |                 | TITLE: Stand Off $\phi 6.0 \times 3.40$ mm M3 (2.0H)   |
|  | UNITS: mm       | SCALE: NONE  |
|   |                 | PART NO: S001-00001-C02  |
|   |                 | SHEET: 1 OF 1  |

|     |            |
|-----|------------|
| 1.0 | 11.17.2014 |
| REV | DATE       |