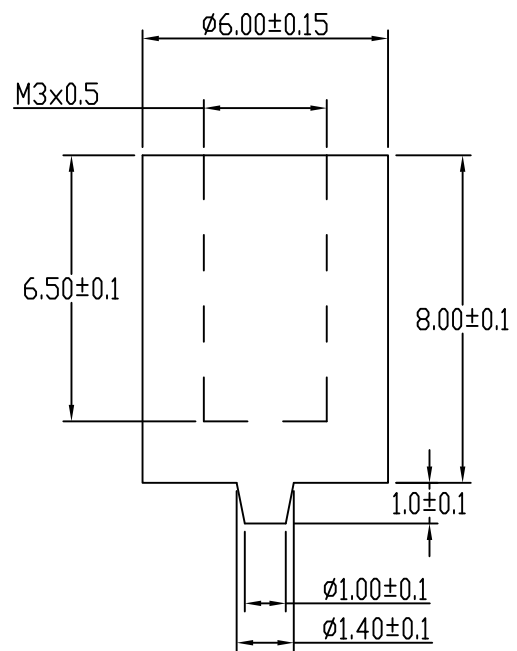
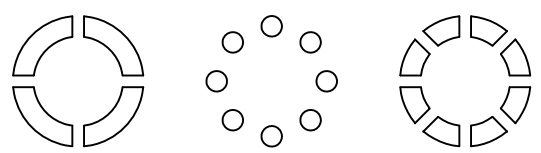
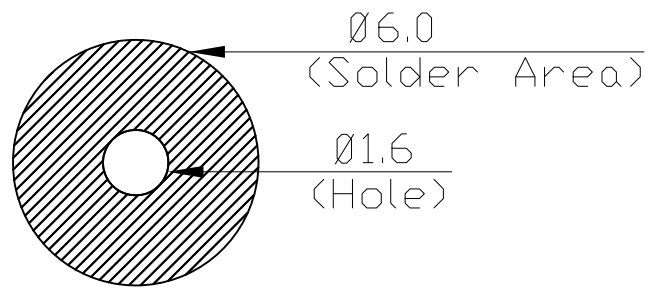
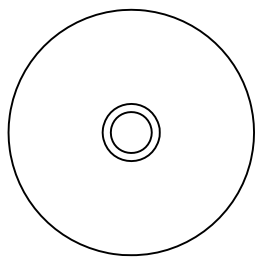
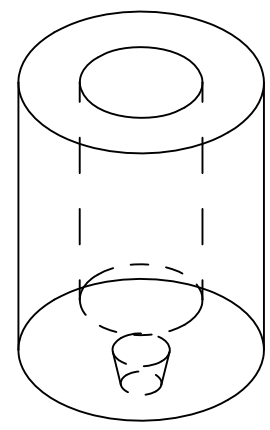


1 2 3 4 5 6 7 8 9 10


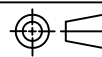
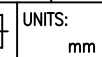
A
B
C
D
E
F



- NOTES :
- 1 . Material : C3604
 - 2 . The tolerance is ± 0.1 mm
 - 3 . Dimension : 8.0(H)X6.0(ϕ)XM3.0
 - 4 . Plated : Sn Plated

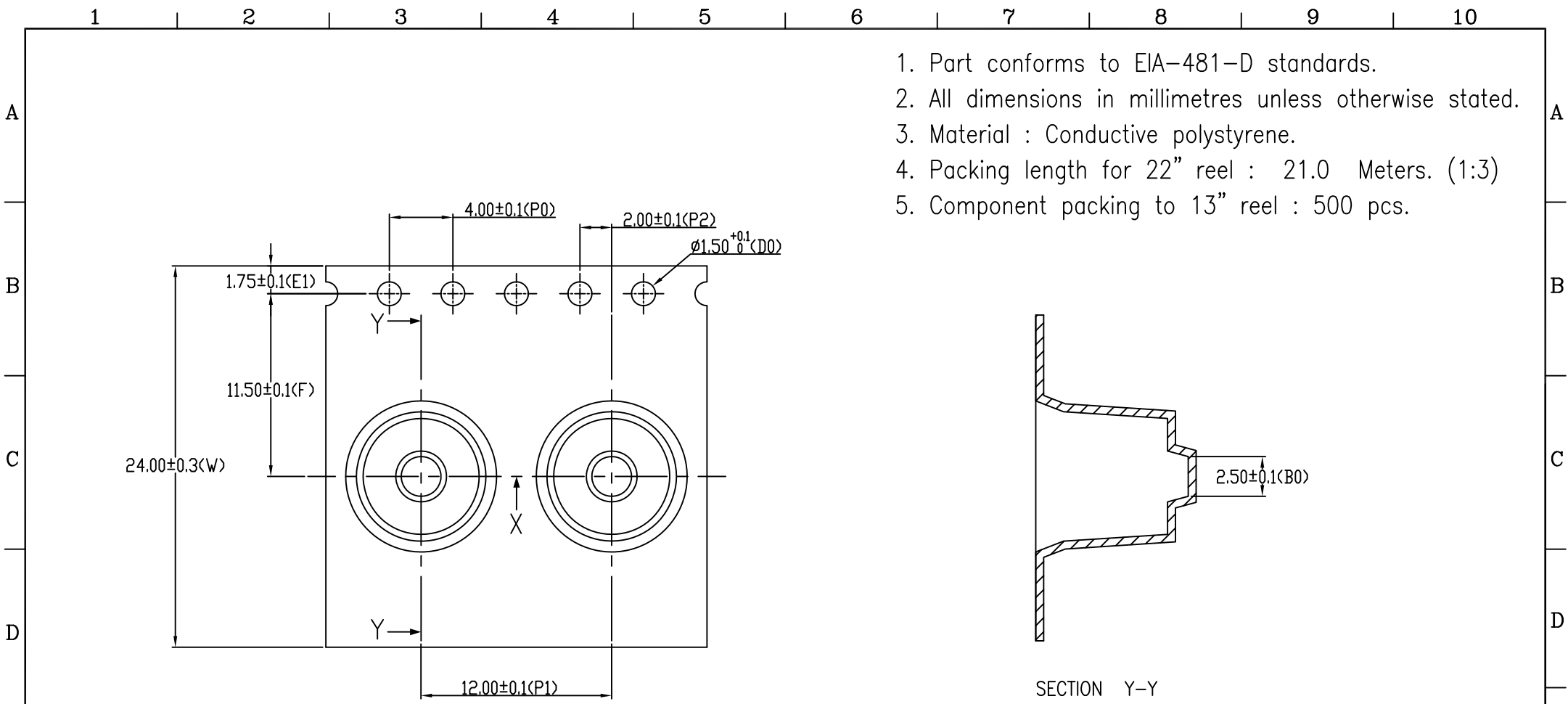


Stencil Masking Examples

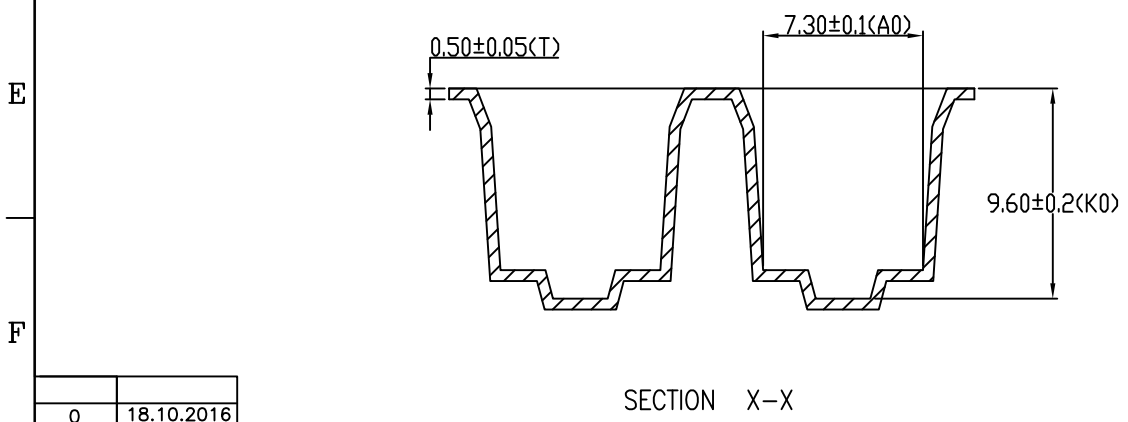
PROPRIETARY NOTE: This document contains confidential information and proprietary to Rego Electronics and shall not be reproduced or disclosed to other documents or used for any purpose other than that for which was obtained without the expressed written consent of Rego Electronics.			
.X ± 0.30	APPROVED:	 TITLE: Stand Off $\phi 6.00 \times 9.00$ mm (H:8.0) Blind hole PART NO: SO-M30BH80D600 SHEET: 1 OF 2	
.XX ± 0.20	CHECKED:		
.XXX ± 0.15	DRAWN:		
X* $\pm 3^\circ$			
  UNITS: mm SCALE: NONE			

A	05.11.2019
REV	DATE

1 2 3 4 5 6 7 8 9 10




1. Part conforms to EIA-481-D standards.
2. All dimensions in millimetres unless otherwise stated.
3. Material : Conductive polystyrene.
4. Packing length for 22" reel : 21.0 Meters. (1:3)
5. Component packing to 13" reel : 500 pcs.



SECTION X-X

SECTION Y-Y

0	18.10.2016
REV	DATE

PROPRIETARY NOTE: This document contains confidential information and proprietary to Rego Electronics and shall not be reproduced or disclosed to other documents or used for any purpose other than that for which was obtained without the expressed written consent of Rego Electronics.			
.X ± 0.30	APPROVED:	Chris	 http://www.rego.com.tw
.XX ± 0.20	CHECKED:	Andy	
.XXX ± 0.15	DRAWN:	Vic	
X° ± 3'	UNITS:	SCALE:	TITLE: Stand Off ø6.00 x 9.00mm (H:8.0) Blind hole PART NO: SO-M30BH80D600 SHEET: 2 OF 2
	mm	NONE	