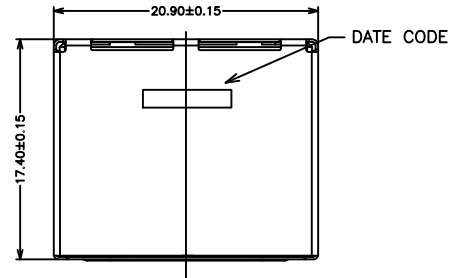
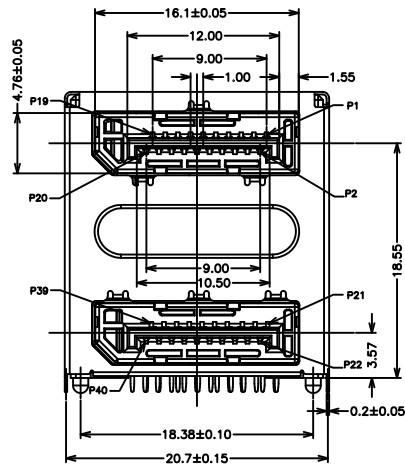


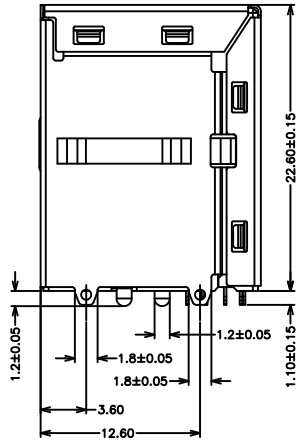
A



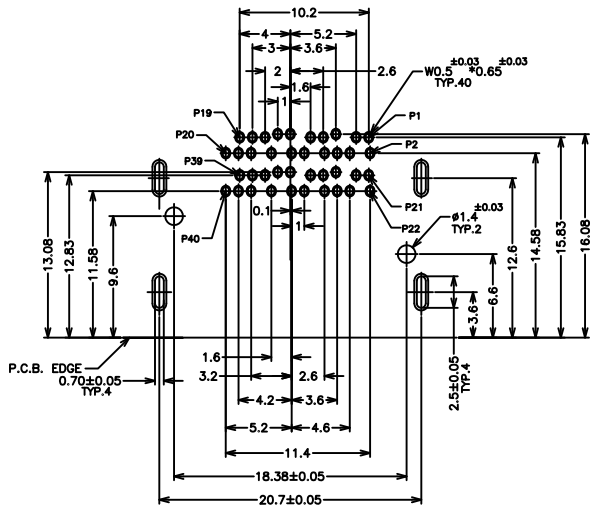
B



C

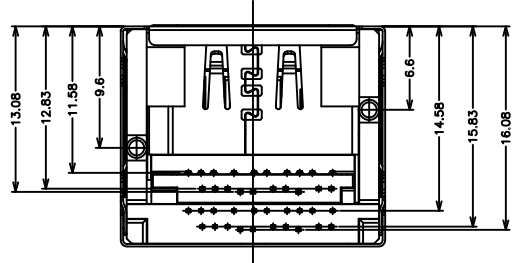


D



RECOMMEND P.C.BOARD LAYOUT
PCB TOLERANCE:±0.05

E



F

NOTES:

- 1.MATERIAL:
HOUSING:THERMOPLASTIC, HIGH TEMP, 30% G/F UL94 V-0
COLOR:BLACK
SHELL:STAINLESS STEEL
CONTACT:COPPER ALLOY
- 2.FINISH:
CONTACT:GOLD PLATING ON CONTACT AREA
100u" MIN. MATTE TIN PLATING ON SOLDERTAILS
50u" MIN. NICKEL UNDERPLATING OVER ALL
SHELL: 50u" MIN.NICKEL UNDERPLATING OVERALL
NO PLATING ON BACK
- 3.MUST PRESS PIECE WITH WEIGHT DURING PRODUCTION


PIN DEFINITION

PIN	SIGNAL NAME	PIN
1	ML_LANE 0(p)	21
2	GND	22
3	ML_LANE 0(n)	23
4	ML_LANE 1(p)	24
5	GND	25
6	ML_LANE 1(n)	26
7	ML_LANE 2(p)	27
8	GND	28
9	ML_LANE 2(n)	29
10	ML_LANE 3(p)	30
11	GND	31
12	ML_LANE 3(n)	32
13	GND	33
14	GND	34
15	AUX CH (p)	35
16	GND	36
17	AUX CH (n)	37
18	Hot Plug Detect	38
19	Return	39
20	DP_PWR	40

G/F	845-030-407CTRN
-----	-----------------

PLATING	PART NUMBER
---------	-------------

PROPRIETARY NOTE:
This document contains confidential information and proprietary to Rego Electronics and shall not be reproduced or disclosed to other documents or used for any purpose other than that for which was obtained without the expressed written consent of Rego Electronics.

.X ± 0.30	APPROVED:	 http://www.rego.com.tw
.XX ± 0.20	CHECKED: Chris	
.XXX ± 0.15	DRAWN: Andy	
X* ± 3'	Vic	

TITLE: DISPLAYPORT DUAL-PORT
R/A , DIP TYPE

UNITS: mm	SCALE: NONE
-----------	-------------

PART NO: 845-030-407CTRN
SHEET: 1 OF 2

2	7.9.2018
REV	DATE