

1 2 3 4 5 6 7 8 9 10

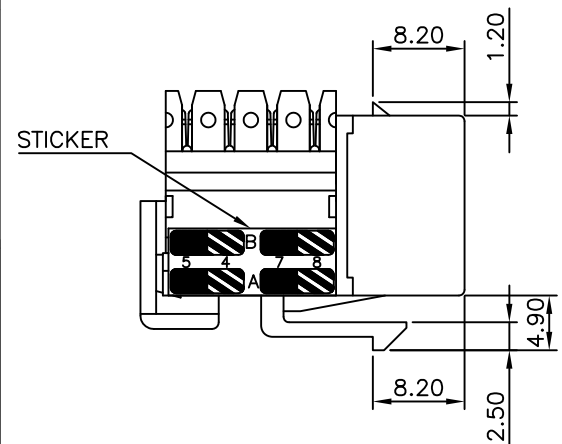
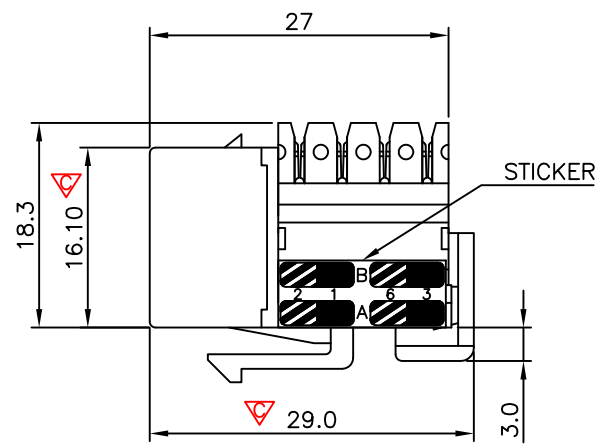
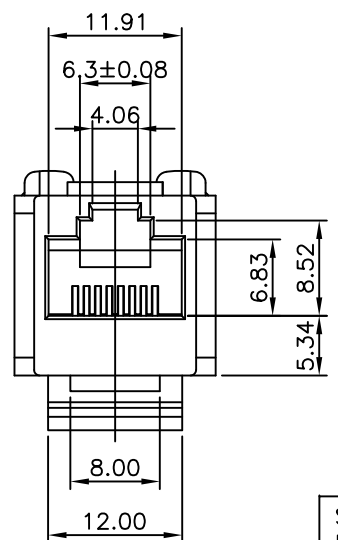
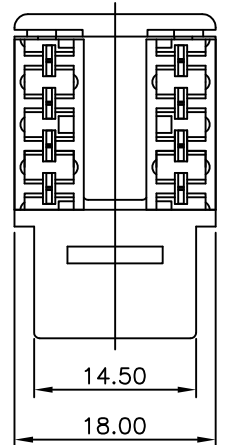
A
B
C
D
E
F

A
B
C
D
E
F


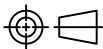
NOTE:

CAVITY CONFORMS TO FCC RULES AND REGULATIONS PART 68, SUBPART F.

1. MATERIAL:
 - 1.1 HOUSING: ABS, WITH GLASS FIBER, UL94V-0, STANDARD COLOR-GRAY.
 - 1.2 BASE: ABS+PC, WITH GLASS FIBER, UL94V-0, STANDARD COLOR-GRAY.
 - 1.3 TOP & REAR COVER: ABS, WITH GLASS FIBER, UL94V-0, STANDARD COLOR-GRAY.
 - 1.4 SIDE COVER: PBT, WITH GLASS FIBER, UL94V-0, STANDARD COLOR-BLACK.
 - 1.5 INSERT HOUSING: PBT, WITH GLASS FIBER, UL94V-0, STANDARD COLOR-BLACK.
 - 1.6 CONTACTS: PHOSPHOR BRONZE.
 - 1.7 PCB: FR4, THICKNESS: 1.6mm.
2. FINISH:
 - 2.1 CONTACTS: 50 μ GOLD PLATED ON CONTACT AREA, GOLD FLASH ON SOLDER TAIL, 1.27 μ m [50 μ] MIN. NICKEL UNDERPLATED OVERALL.
3. "▽" SHOWS QIP INSPECTION POINT.



| STICKER | |
|---------|--------------|
| PIN.5 | WHITE/BLUE |
| PIN.4 | BLUE |
| PIN.1 | WHITE/ORANGE |
| PIN.2 | ORANGE |
| PIN.3 | WHITE/GREEN |
| PIN.6 | GREEN |
| PIN.7 | WHITE/BROWN |
| PIN.8 | BROWN |

| | | |
|---|-----------------|--|
| PROPRIETARY NOTE: This document contains confidential information and proprietary to Rego Electronics and shall not be reproduced or disclosed to other documents or used for any purpose other than that for which was obtained without the expressed written consent of Rego Electronics. | | |
| .X ±0.30 | APPROVED: Chris |  http://www.rego.com.tw |
| .XX ±0.20 | CHECKED: Denny | |
| .XXX±0.15 | DRAWN: Bryan | TITLE: RJ45 Keystone Jack |
| X' ± 3' | UNITS: mm | PART NO: 97720-0388C |
|  SCALE: NONE | | SHEET: 1 OF 1 |

| | |
|-----|-----------|
| A | 21.2.2018 |
| REV | DATE |

1 2 3 4 5 6 7 8 9 10