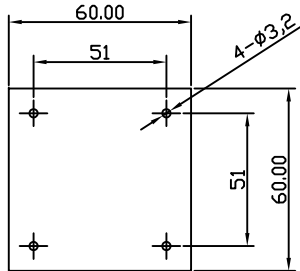
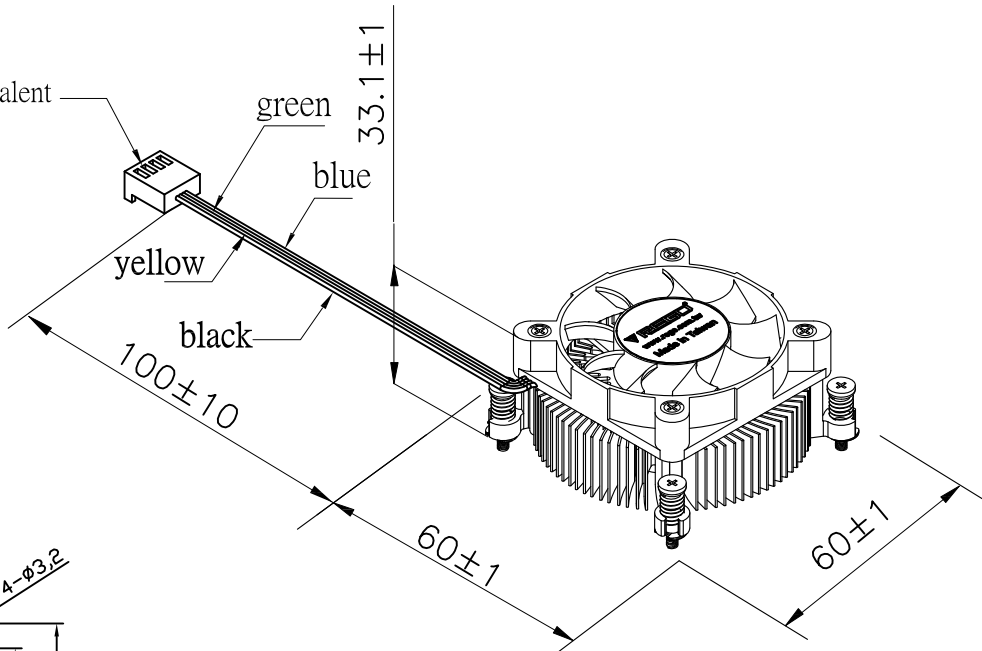


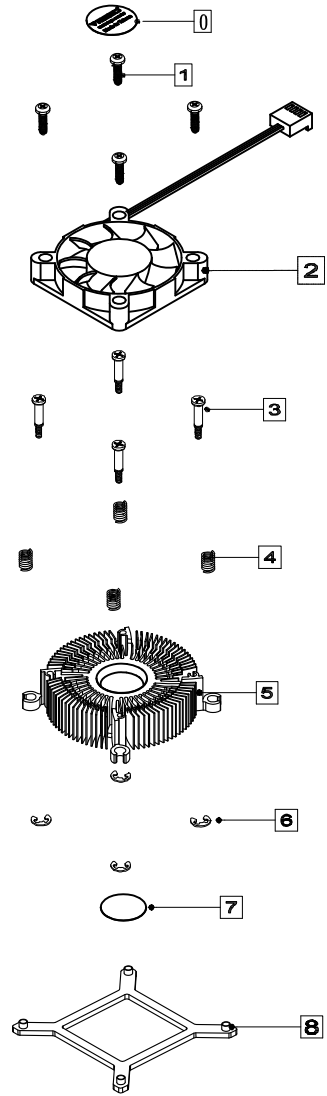
2695 4PIN or equivalent




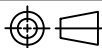
PCB LAYOUT

Notes:

ITEM	DESCRIPTION	MATERIAL	FINISH/COLOR	Qty
0	Lable	ELECTROPLATING MATT SILVER POLYESTER FILM LABEL	SILVER	1
1	Screw	steel	bright nickel	4
2	Fan	engineering plastic	black	1
3	Screw	steel	bright nickel	4
4	Spring	music wire	nickel	4
5	Heat Sink	Aluminum&Copper	natural anodize	1
6	E Ring	steel	nickel	4
7	Grease	X23-7762	gray	1
8	Plate	steel	nickel	1



PROPRIETARY NOTE:  
This document contains confidential information and proprietary to Rego Electronics and shall not be reproduced or disclosed to other documents or used for any purpose other than that for which was obtained without the expressed written consent of Rego Electronics.

.X ± 0.30	APPROVED: Chris	 <a href="http://www.rego.com.tw">http://www.rego.com.tw</a> TITLE: 1.5U CPU Cooler for Mobile High Performance Processors
.XX ± 0.20	CHECKED: Denny	
.XXX ± 0.15	DRAWN: Bryan	
X* ± 3'		
 UNITS: mm SCALE: NONE	PART NO: RG1100B-EAC(H23)-EF5174-28	SHEET: 1 OF 1