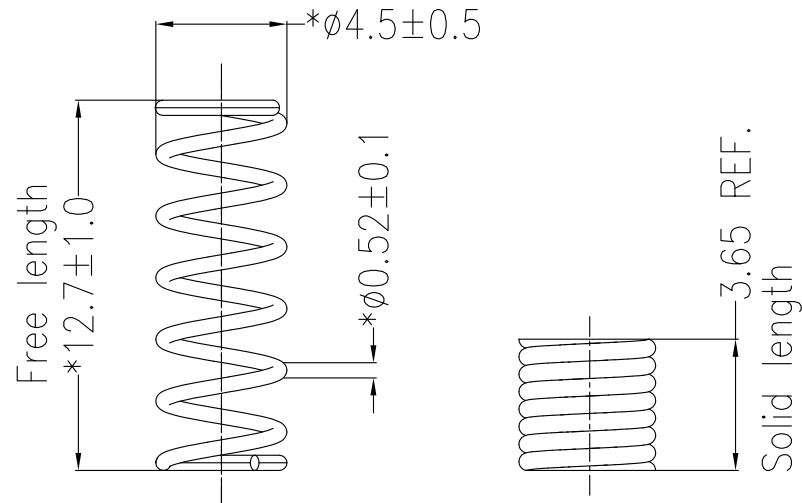


NOTES

1. MATERIAL: BRASS C6801
2. FINISH: ANTI-OXIDATION
3. HOLE IN PCB $\phi 3.2 \pm 0.05$
HOLE IN HEAT SINK $\phi 3.4 \pm 0.05$



NOTES



1. MATERIAL: SWP
2. FINISH: BRIGHT NICKEL
3. SPRING RATE:

SPRING	
TOTAL COIL	6
OUTSIDE DIAMETER	$\phi 4.5$
SPRING DIAMETER	$\phi 0.52 \pm 0.1$
TOTAL LENGTH	12.7 ± 1.0

Free Length	ref. 12.7mm			
Deflection (mm)	1	2	4	7
Operating length (mm)	11.7	10.7	8.7	5.7
Load at operating length (ref. KgF)	0.196	0.398	0.806	1.454

PROPRIETARY NOTE:

This document contains confidential information and proprietary to Rego Electronics and shall not be reproduced or disclosed to other documents or used for any purpose other than that for which was obtained without the expressed written consent of Rego Electronics.

.X ± 0.5	APPROVED: Chris	 http://www.rego.com.tw	
.XX ± 0.35	CHECKED: Denny		
.XXX ± 0.2	DRAWN: Vicky		
X* $\pm 3^*$			
	UNITS: mm	SCALE: NONE	TITLE: COPPER PUSH PIN $\phi 6.35 \times 17.35$ + SPRING $\phi 0.52 \times 12.7L, 6coil$
PART NO: F049-000007		SHEET: 1 OF 1	