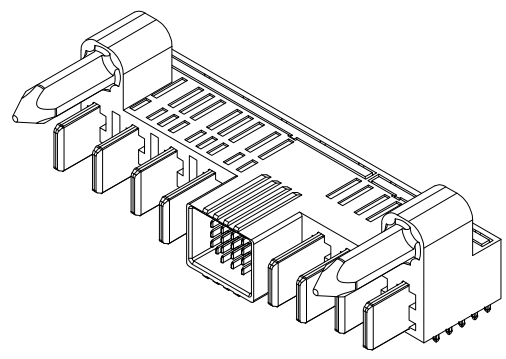
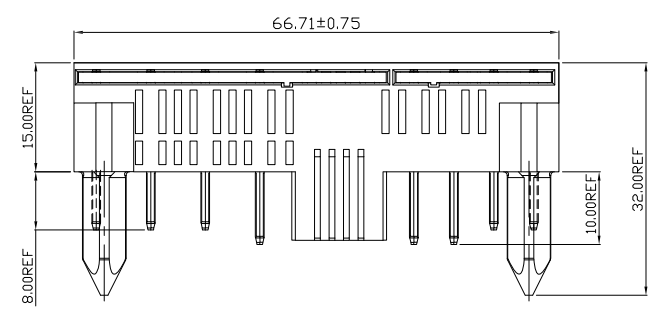


1 2 3 4 5 6 7 8 9 10

A  
B  
C  
D  
E  
F



**Material and Plating:**

Housing: LCP, 30% Glass Filled, UL94V-0, BLACK.  
 Power Contacts: High Conductivity Copper.  
 30u"Au+Pd/Ni on Contact Area and 80u" Min  
 Tin Plated on Solder Tail over nickel 50u" Min .  
 Signal Contact: Brass .  
 30u"Au+Pd/Ni on Contact Area and 80u" Min  
 Tin Plated on Solder Tail over nickel 50u" Min .

**Electrical Characteristics:**

Current Rating: Signal Pin 2.5 AMP.  
 Power Pin 60 AMP.  
 Dielectric Withstanding Voltage: DC 1500V For 1 minute.  
 Insulator Resistance: 5000MΩ min. at DC 500V.  
 Contact Resistance: Signal Pin 30mΩ max.  
 Power Pin 0.3mΩ max.

Operating Temperature: -40°C ~ +105°C .

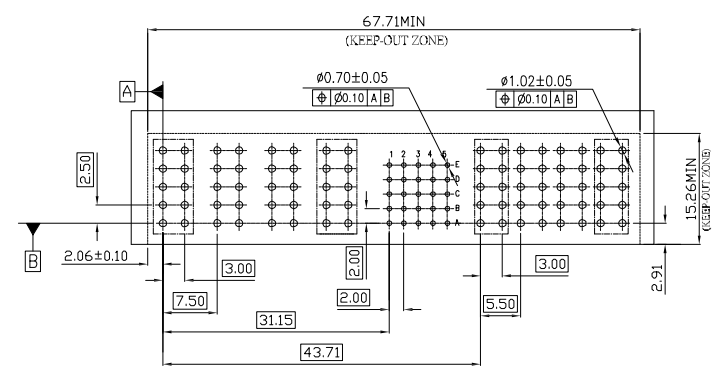
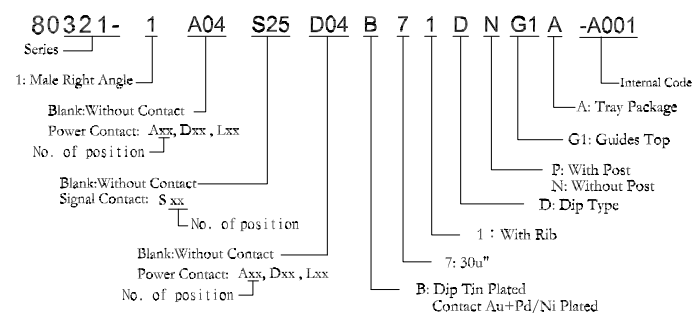
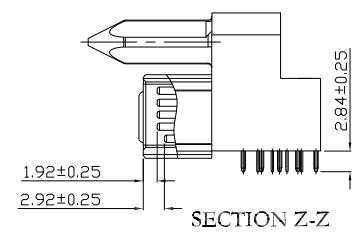
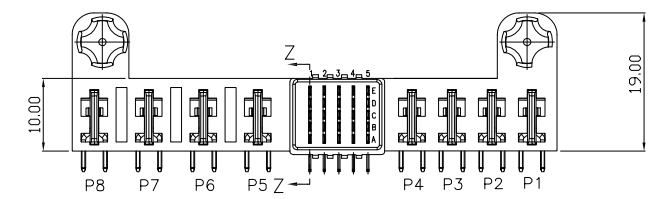
**\*RoHS Compliant**

**Notes 1:**

L: Low Power---PCB Mount 3.0mm Pitch  
 D: DC Power---PCB Mount 5.5mm Pitch  
 A: AC Power---PCB Mount 7.5mm Pitch


**Notes 2:**

A1: Signal Pin to The Top Distance is 2.92mm.  
 Other Signal: Signal Pin to The Top Distance is 1.92mm.



P.C. Board Layout  
(Tolerance: ±0.05)

**PROPRIETARY NOTE:**  
 This document contains confidential information and proprietary to Rego Electronics and shall not be reproduced or disclosed to other documents or used for any purpose other than that for which was obtained without the expressed written consent of Rego Electronics.

.X ± 0.30	APPROVED: Chris	 <a href="http://www.rego.com.tw">http://www.rego.com.tw</a>
.XX ± 0.20	CHECKED: Denny	
.XXX ± 0.15	DRAWN: Bryan	
X* ± 3'	UNITS: mm	SCALE: NONE
TITLE: P60 Power Connector 8P25S Right Angle Plug		PART NO: 80321-1A04S25D04B71DNG1A-A001
SHEET: 1 OF 1		

A	24.7.2017
REV	DATE

1 2 3 4 5 6 7 8 9 10