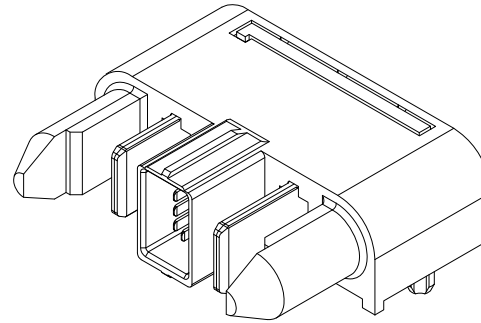
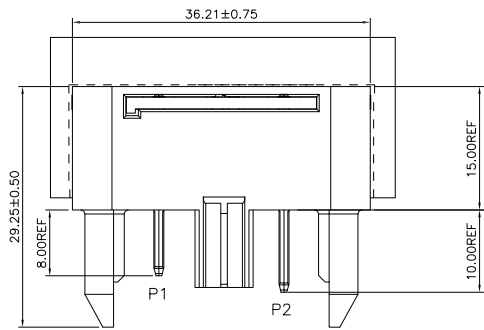


1 2 3 4 5 6 7 8 9 10

A
B
C
D
E
F



Material and Plating:

Housing: LCP, 30% Glass Filled, UL94V-0, BLACK.
Power Contacts: High Conductivity Copper.
30u"Au+Pd/Ni on Contact Area and 80u" Min Tin Plated on Solder Tail over nickel 50u" Min.

Signal Contacts :Brass.
30u"Au+Pd/Ni on Contact Area and 80u" Min Tin Plated on Solder Tail over nickel 50u" Min.

Electrical Characteristics:

Current Rating: Signal Pin 2.5 AMP.
Power Pin 60 AMP.
Dielectric Withstanding Voltage: Power Pin :DC 1500V For 1 minute.
Insulator Resistance: 5000MΩ min.

Contact Resistance: Signal Pin 30mΩ max.
Power Pin 0.3mΩ max.

Operating Temperature: -40°C ~+105°C.

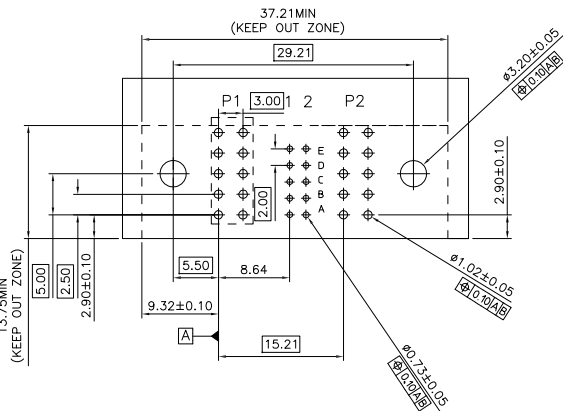
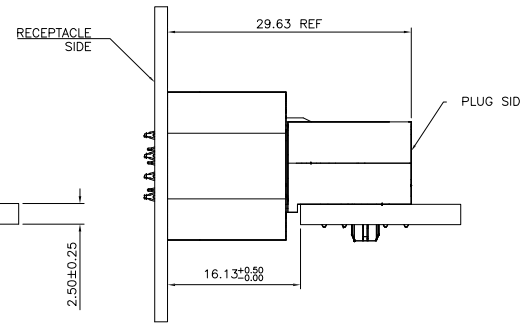
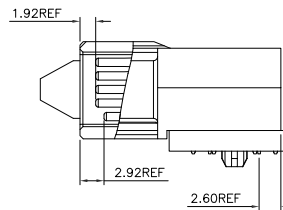
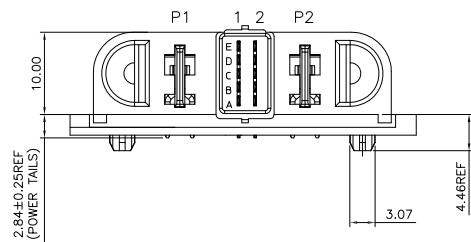
***RoHS Compliant**

Notes 1:

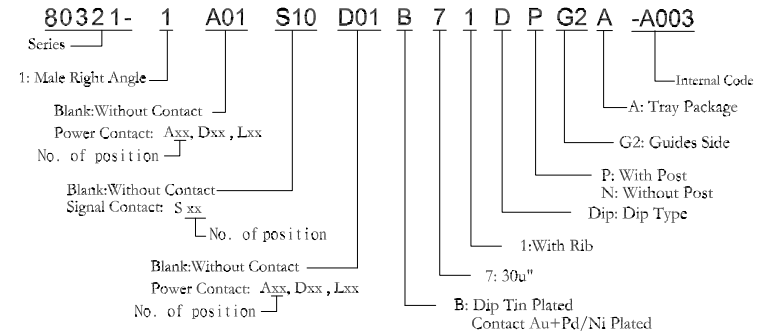
- L: Low Power---PCB Mount 3.0mm Pitch
- D: DC Power---PCB Mount 5.5mm Pitch
- A: AC Power---PCB Mount 7.5mm Pitch

Notes 2:

- A1,A2: Signal Pin to The Top Distance is 2.92mm.
- Other Signal: Signal Pin to The Top Distance is 1.92mm.
- P2 Power Contact Length is 10.0mm.
- P1 Power Contact Length is 8.0mm.




P.C.Board Layout
(Tolerance:±0.05)



PROPRIETARY NOTE:

This document contains confidential information and proprietary to Rego Electronics and shall not be reproduced or disclosed to other documents or used for any purpose other than that for which was obtained without the expressed written consent of Rego Electronics.

.X ± 0.30	APPROVED:	 http://www.rego.com.tw
.XX ± 0.20	CHECKED:	
.XXX ± 0.15	DRAWN:	
X* ± 3'		
UNITS:	SCALE:	TITLE: P60 Power Connector 2P10S Right Angle Plug
mm	NONE	PART NO: 80321-1A01S10D01B71DPG2A-A003
SHEET: 1 OF 1		

A	24.7.2017
REV	DATE

1 2 3 4 5 6 7 8 9 10