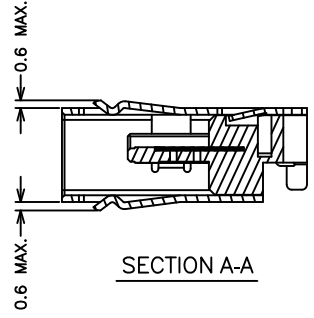
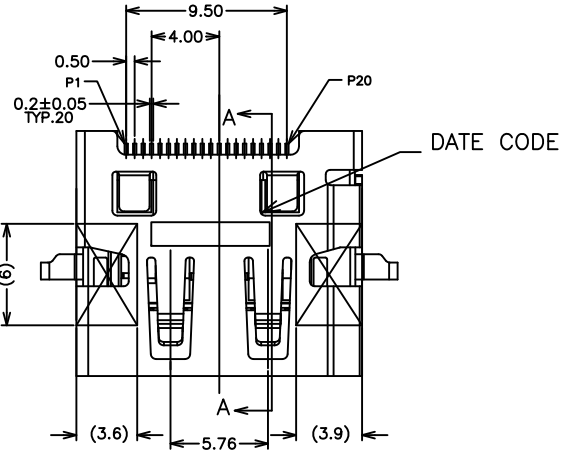


1 2 3 4 5 6 7 8 9 10

A
B
C
D
E
F

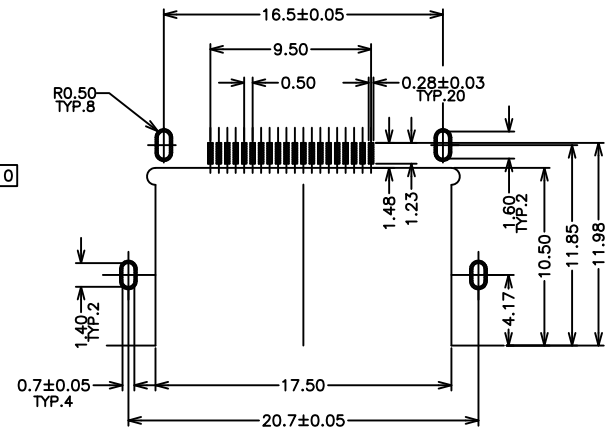
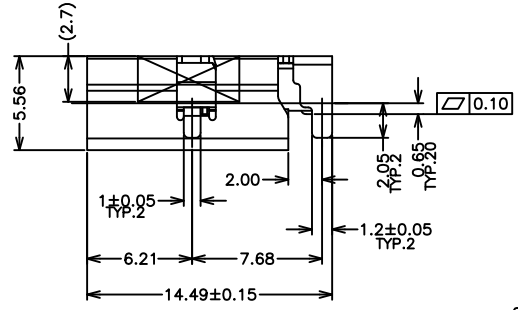
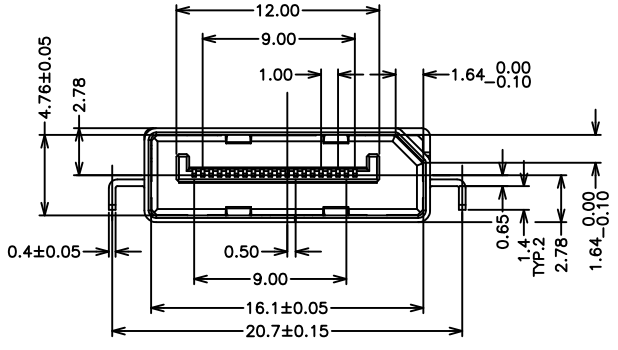
A
B
C
D
E
F



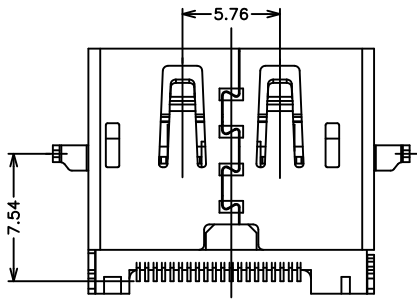
NOTES:
 1.MATERIAL:
 HOUSING:LCP, 30% G/F UL94 V-0,
 COLOR:BLACK
 SHELL:STAINLESS STEEL
 CONTACT:C2680
 2.FINISH:
 CONTACT:GOLD PLATING ON CONTACT AREA
 100u" MIN. MATTE TIN PLATING ON SOLDER TAILS
 50u" MIN. NICKEL UNDERPLATING OVER ALL
 SHELL: 50u" MIN.NICKEL UNDERPLATING OVERALL

PIN DEFINITION

PIN	SIGNAL NAME
1	ML_LANE 0(p)
2	GND
3	ML_LANE 0(n)
4	ML_LANE 1(p)
5	GND
6	ML_LANE 1(n)
7	ML_LANE 2(p)
8	GND
9	ML_LANE 2(n)
10	ML_LANE 3(p)
11	GND
12	ML_LANE 3(n)
13	GND
14	GND
15	AUX CH (p)
16	GND
17	AUX CH (n)
18	Hot Plug Detect
19	Return
20	DP_PWR




RECOMMEND P.C.BOARD LAYOUT T=1.0mm
 PCB TOLERANCE:±0.05



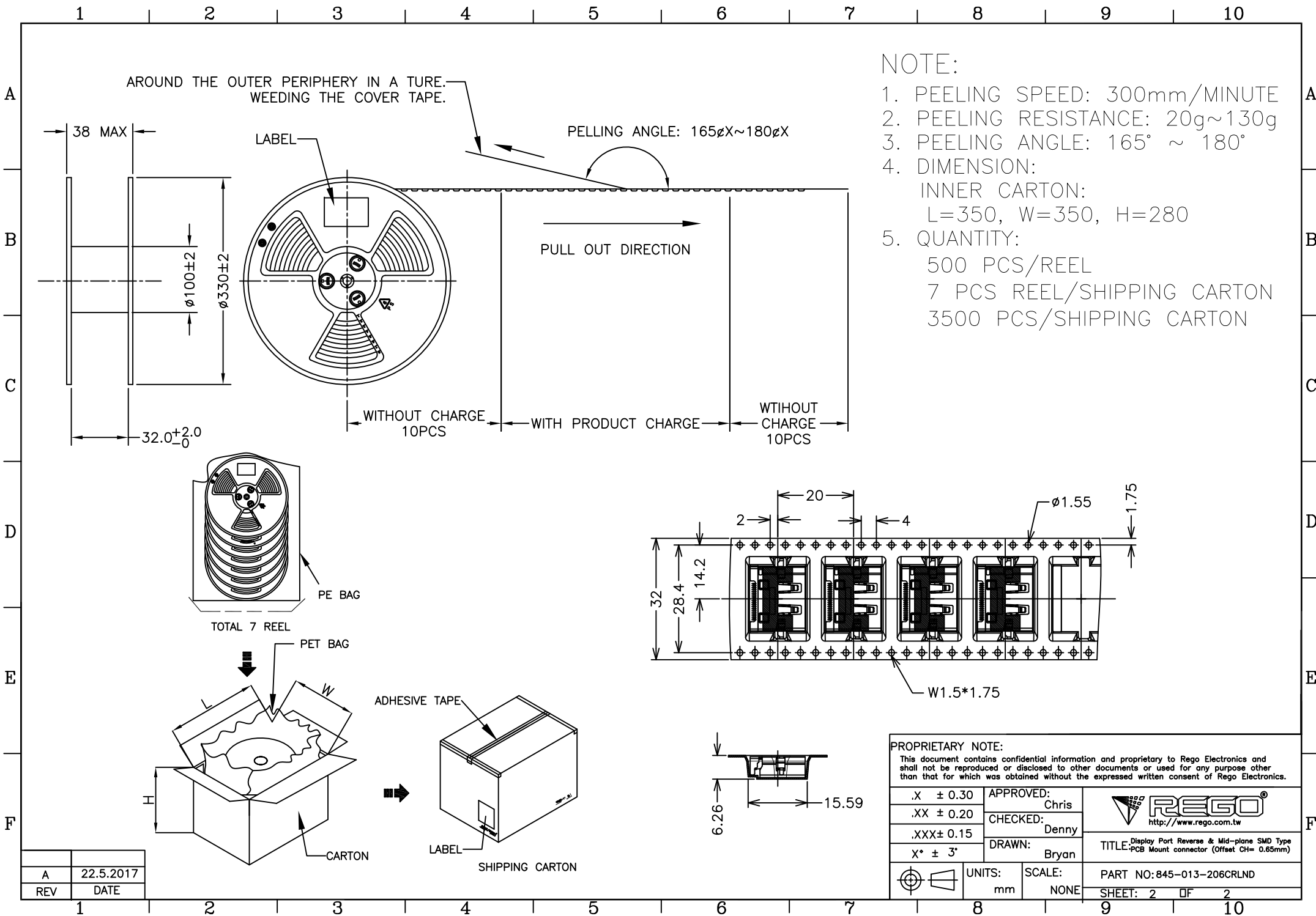
A	22.5.2017
REV	DATE

30 μ"	845-013-206CRLND
15 μ"	845-013-205CRLND
G/F	845-013-207CRLND
PLATING	PART NUMBER


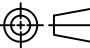
PROPRIETARY NOTE:
 This document contains confidential information and proprietary to Rego Electronics and shall not be reproduced or disclosed to other documents or used for any purpose other than that for which was obtained without the expressed written consent of Rego Electronics.

.X ± 0.30	APPROVED: Chris	 http://www.rego.com.tw
.XX ± 0.20	CHECKED: Denny	
.XXX ± 0.15	DRAWN: Bryan	
X* ± 3'		
UNITS: mm	SCALE: NONE	TITLE: Display Port Reverse & Mid-plane SMD Type PCB Mount connector (Offset CH= 0.65mm)
		PART NO: 845-013-206CRLND
		SHEET: 1 OF 2

1 2 3 4 5 6 7 8 9 10



PROPRIETARY NOTE:
This document contains confidential information and proprietary to Rego Electronics and shall not be reproduced or disclosed to other documents or used for any purpose other than that for which was obtained without the expressed written consent of Rego Electronics.

.X ± 0.30	APPROVED: Chris	 http://www.rego.com.tw
.XX ± 0.20	CHECKED: Denny	
.XXX ± 0.15	DRAWN: Bryan	
X* ± 3*		
	UNITS: mm	SCALE: NONE
PART NO: 845-013-206CRLND		SHEET: 2 OF 2