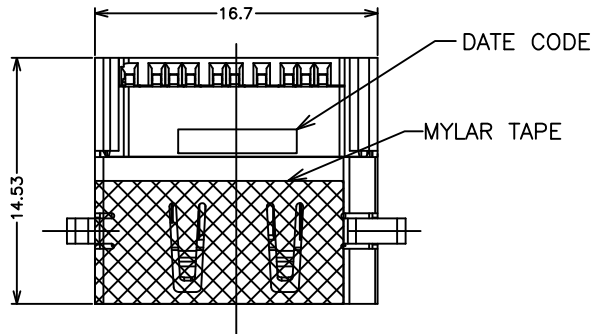


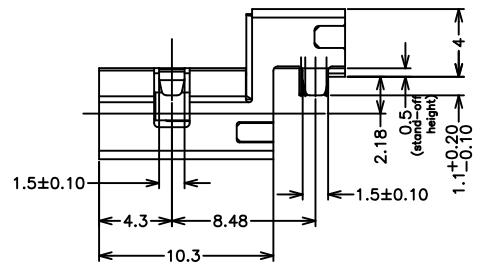
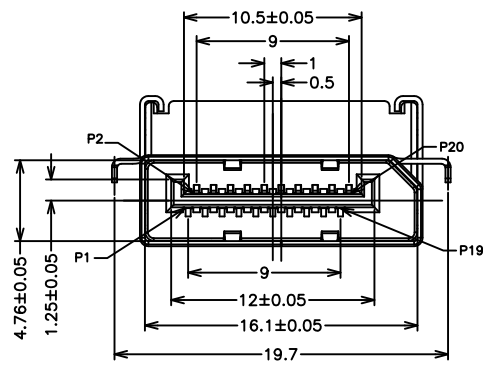
1 2 3 4 5 6 7 8 9 10

A
B
C
D
E
F

A
B
C
D
E
F

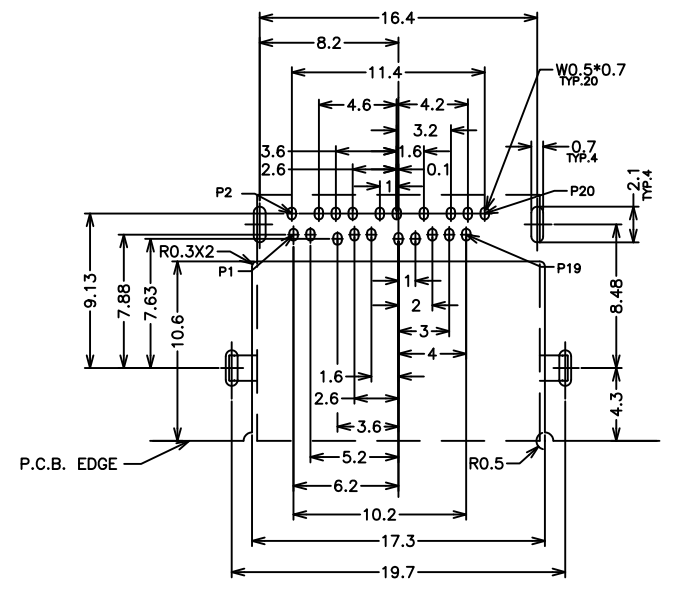


NOTES:
 1.MATERIAL:
 HOUSING:LCP UL94 V-0 COLOR:BLACK
 SHELL:STAINLESS STEEL
 CONTACT:C2680
 2.FINISH:
 CONTACT:GOLD PLATING ON CONTACT AREA
 100u" MIN. MATTE TIN PLATING ON SOLDER TAILS
 50u" MIN. NICKEL UNDERPLATING OVER ALL
 SHELL: 50u" MIN.NICKEL UNDERPLATING OVERALL

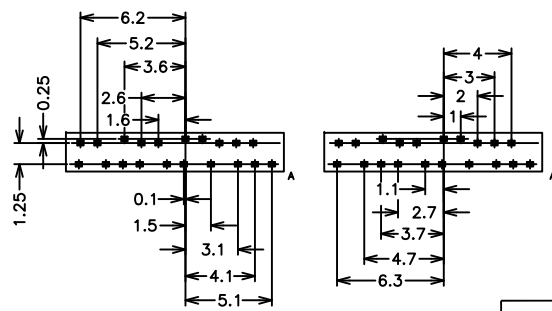
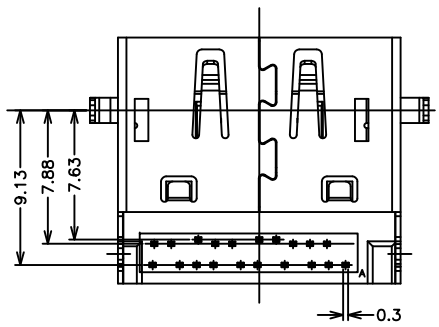


PIN DEFINITION

PIN	SIGNAL NAME
1	ML_LANE 0(p)
2	GND
3	ML_LANE 0(n)
4	ML_LANE 1(p)
5	GND
6	ML_LANE 1(n)
7	ML_LANE 2(p)
8	GND
9	ML_LANE 2(n)
10	ML_LANE 3(p)
11	GND
12	ML_LANE 3(n)
13	GND
14	GND
15	AUX CH (p)
16	GND
17	AUX CH (n)
18	Hot Plug Detect
19	Return
20	DP_PWR




RECOMMEND P.C.BOARD LAYOUT T=1.20mm
 PCB TOLERANCE:±0.05



PROPRIETARY NOTE:
 This document contains confidential information and proprietary to Rego Electronics and shall not be reproduced or disclosed to other documents or used for any purpose other than that for which was obtained without the expressed written consent of Rego Electronics.

A	22.5.2017
REV	DATE

30μ"	845-011-206CRLN
15μ"	845-011-205CRLN
G/F	845-011-207CRLN
PLATING	PART NUMBER

.X ± 0.30	APPROVED: Chris	 http://www.rego.com.tw
.XX ± 0.20	CHECKED: Denny	
.XXX ± 0.15	DRAWN: Bryan	
X* ± 3'	UNITS: mm	SCALE: NONE
TITLE: Display Port Reverse & Mid-plane PTH Type		PART NO: 845-011-206CRLN
SHEET: 1		OF 2

1 2 3 4 5 6 7 8 9 10

1 2 3 4 5 6 7 8 9 10

A
B
C
D
E
F

AROUND THE OUTER PERIPHERY IN A TURE.
WEEDING THE COVER TAPE.

PELLING ANGLE: 165°X~180°X

PULL OUT DIRECTION

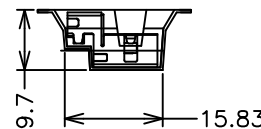
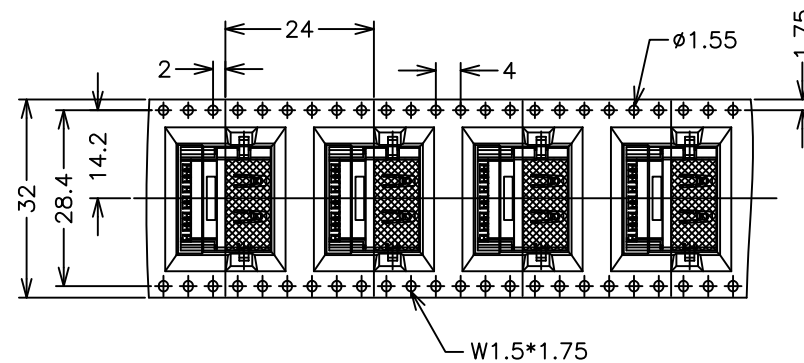
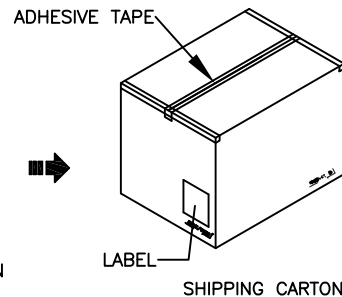
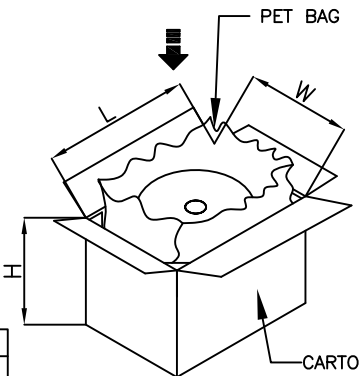
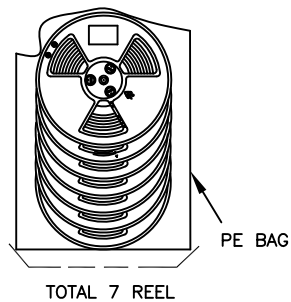
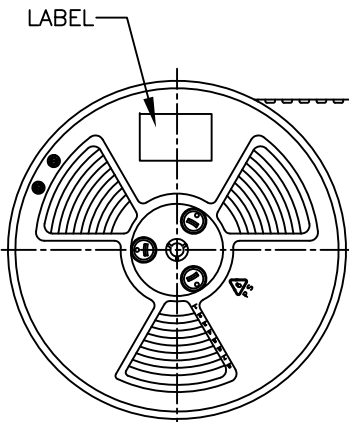
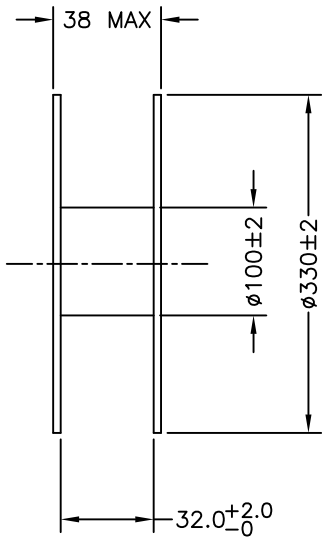
WITHOUT CHARGE
15PCS

WITH PRODUCT CHARGE

WITHOUT CHARGE
15PCS

NOTE:

1. PEELING SPEED: 300mm/MINUTE
2. PEELING RESISTANCE: 20g~130g
3. PEELING ANGLE: 165° ~ 180°
4. DIMENSION:
INNER CARTON:
L=350, W=350, H=280
5. QUANTITY:
300 PCS/REEL
7 PCS REEL/SHIPPING CARTON
2100 PCS/SHIPPING CARTON



PROPRIETARY NOTE:

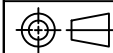
This document contains confidential information and proprietary to Rego Electronics and shall not be reproduced or disclosed to other documents or used for any purpose other than that for which was obtained without the expressed written consent of Rego Electronics.

.X ± 0.30
.XX ± 0.20
.XXX ± 0.15
X* ± 3*

APPROVED: Chris
CHECKED: Denny
DRAWN: Bryan



TITLE: Display Port Reverse & Mid-plane PTH Type
-PCB Mount connector (Offset CH= -2.18mm)



UNITS: mm

SCALE: NONE

PART NO: 845-011-206CRLN

SHEET: 2 OF 2

A	22.5.2017
REV	DATE

1 2 3 4 5 6 7 8 9 10