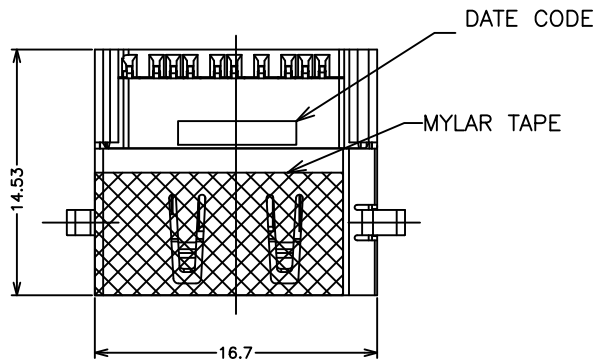


1 2 3 4 5 6 7 8 9 10

A
B
C
D
E
F



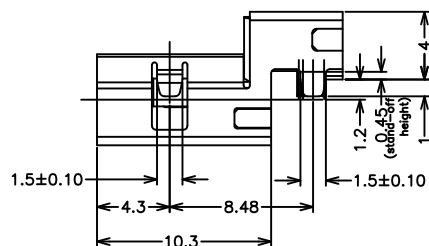
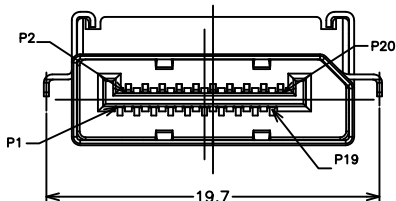
NOTES:

1.MATERIAL:

HOUSING:THERMOPLASTIC, HIGH TEMP, 30% G/F UL94 V-0
 COLOR:BLACK
 SHELL:STAINLESS STEEL
 CONTACT:COPPER ALLOY

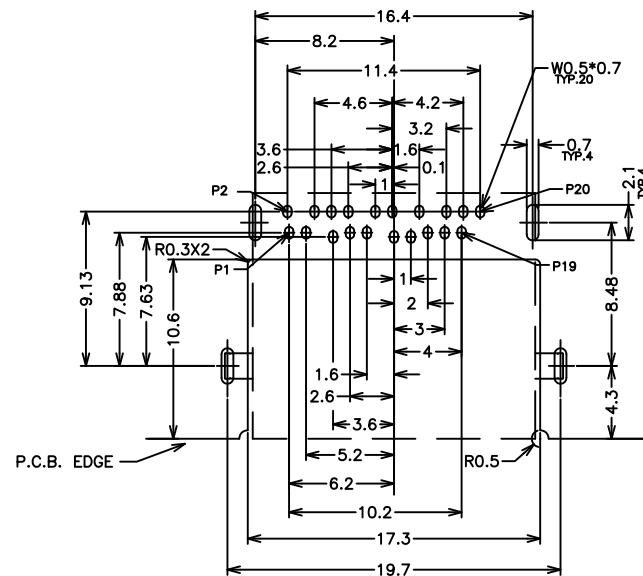
2.FINISH:

CONTACT:GOLD PLATING ON CONTACT AREA
 100u" MIN. TIN PLATING ON SOLDER TAILS
 50u" MIN. NICKEL UNDERPLATING OVER ALL
 SHELL: 50u" MIN.NICKEL UNDERPLATING OVERALL



PIN DEFINITION


PIN	SIGNAL NAME
1	ML_LANE 0(p)
2	GND
3	ML_LANE 0(n)
4	ML_LANE 1(p)
5	GND
6	ML_LANE 1(n)
7	ML_LANE 2(p)
8	GND
9	ML_LANE 2(n)
10	ML_LANE 3(p)
11	GND
12	ML_LANE 3(n)
13	GND
14	GND
15	AUX CH (p)
16	GND
17	AUX CH (n)
18	Hot Plug Detect
19	Return
20	DP_PWR



RECOMMEND P.C.BOARD LAYOUT T=1.20mm
 PCB TOLERANCE:±0.05

PROPRIETARY NOTE:

This document contains confidential information and proprietary to Rego Electronics and shall not be reproduced or disclosed to other documents or used for any purpose other than that for which was obtained without the expressed written consent of Rego Electronics.

.X ± 0.30	APPROVED: Chris	 http://www.rego.com.tw
.XX ± 0.20	CHECKED: Denny	
.XXX ± 0.15	DRAWN: Bryan	TITLE: Display Port Reverse & Mid-plane PTH Type PCB Mount connector (Offset CH= -1.20mm)
X° ± 3'	UNITS: mm	SCALE: NONE
PART NO: 845-005-206CRLN		SHEET: 1 OF 2

A	22.5.2017
REV	DATE

30μ'	845-005-206CRLN
PLATING	PART NUMBER

1 2 3 4 5 6 7 8 9 10

1 2 3 4 5 6 7 8 9 10

A

B

C

D

E

F

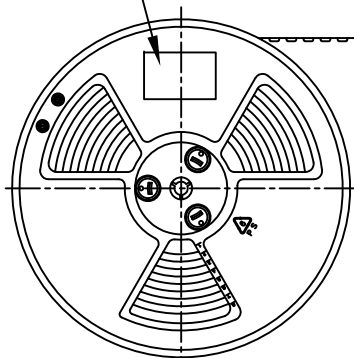
AROUND THE OUTER PERIPHERY IN A TURE.
WEEDING THE COVER TAPE.

38 MAX

LABEL

PELLING ANGLE: 165°X~180°X

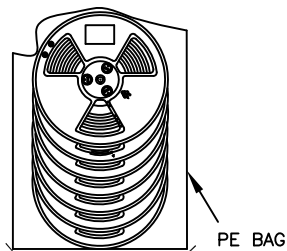
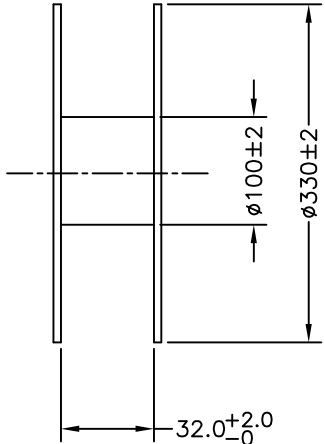
PULL OUT DIRECTION



WITHOUT CHARGE
15PCS

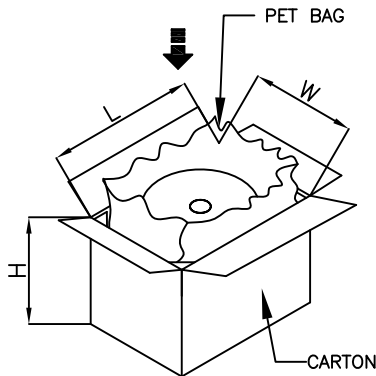
WITH PRODUCT CHARGE

WTIHOUT
CHARGE
15PCS

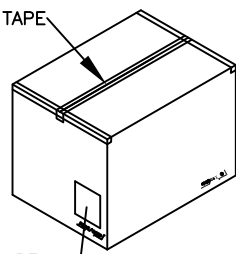


PE BAG

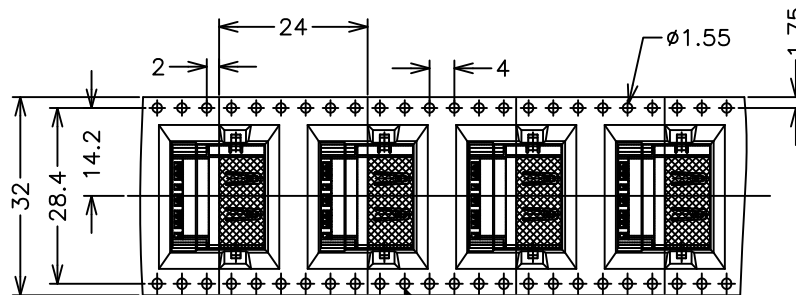
TOTAL 7 REEL



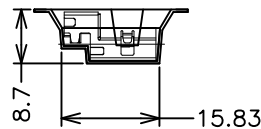
ADHESIVE TAPE



LABEL
SHIPPING CARTON



W1.5*1.75



NOTE:

1. PEELING SPEED: 300mm/MINUTE
2. PEELING RESISTANCE: 20g~130g
3. PEELING ANGLE: 165° ~ 180°
4. DIMENSION:
INNER CARTON:
L=350, W=350, H=280
5. QUANTITY:
300 PCS/REEL
7 PCS REEL/SHIPPING CARTON
2100 PCS/SHIPPING CARTON

PROPRIETARY NOTE:

This document contains confidential information and proprietary to Rego Electronics and shall not be reproduced or disclosed to other documents or used for any purpose other than that for which was obtained without the expressed written consent of Rego Electronics.

.X ± 0.30	APPROVED: Chris
.XX ± 0.20	CHECKED: Denny
.XXX ± 0.15	DRAWN: Bryan
X* ± 3'	



TITLE: Display Port Reverse & Mid-plane PTH Type
PCB Mount connector (Offset CH= -1.20mm)

UNITS: mm	SCALE: NONE
-----------	-------------

PART NO: 845-005-206CRLN

SHEET: 2 OF 2

A	22.5.2017
REV	DATE

1 2 3 4 5 6 7 8 9 10