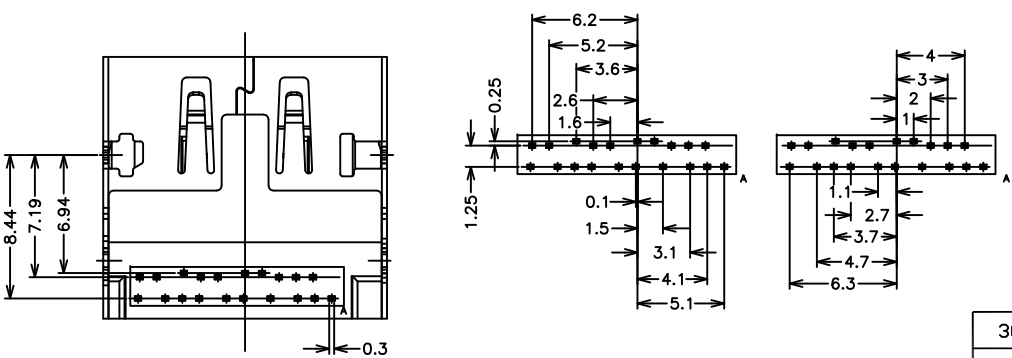
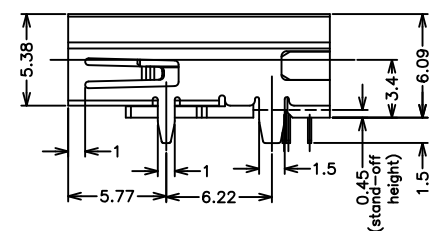
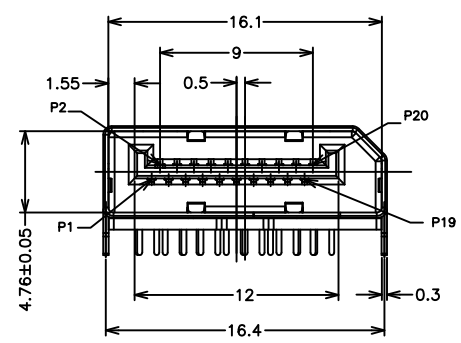
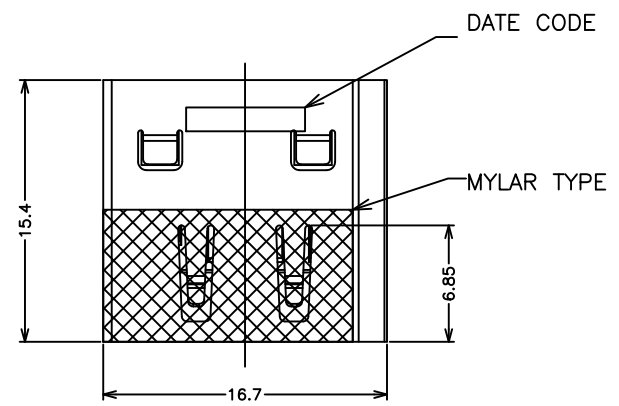


1 2 3 4 5 6 7 8 9 10

A
B
C
D
E
F



NOTES:

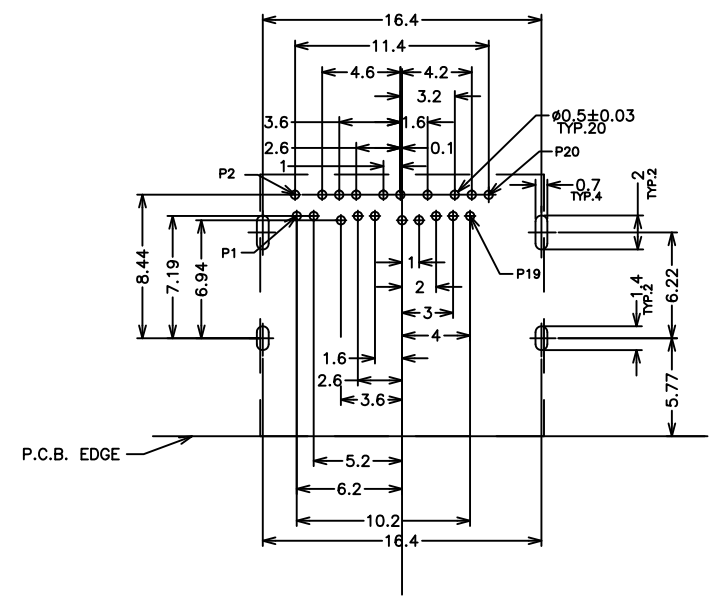
1.MATERIAL:
HOUSING:THERMOPLASTIC, HIGH TEMP, 30% G/F UL94 V-0
COLOR:BLACK
SHELL:STAINLESS STEEL
CONTACT:COPPER ALLOY

2.FINISH:
CONTACT:GOLD PLATING ON CONTACT AREA
100u" MIN. MATTE TIN PLATING ON SOLDER TAILS
50u" MIN. NICKEL UNDERPLATING OVER ALL
SHELL: 50u" MIN.NICKEL UNDERPLATING OVERALL

3.PRODUCT IS HALOGEN FREE

PIN DEFINITION


PIN	SIGNAL NAME
1	ML_LANE 0(p)
2	GND
3	ML_LANE 0(n)
4	ML_LANE 1(p)
5	GND
6	ML_LANE 1(n)
7	ML_LANE 2(p)
8	GND
9	ML_LANE 2(n)
10	ML_LANE 3(p)
11	GND
12	ML_LANE 3(n)
13	GND
14	GND
15	AUX CH (p)
16	GND
17	AUX CH (n)
18	Hot Plug Detect
19	Return
20	DP_PWR



A	22.5.2017
REV	DATE

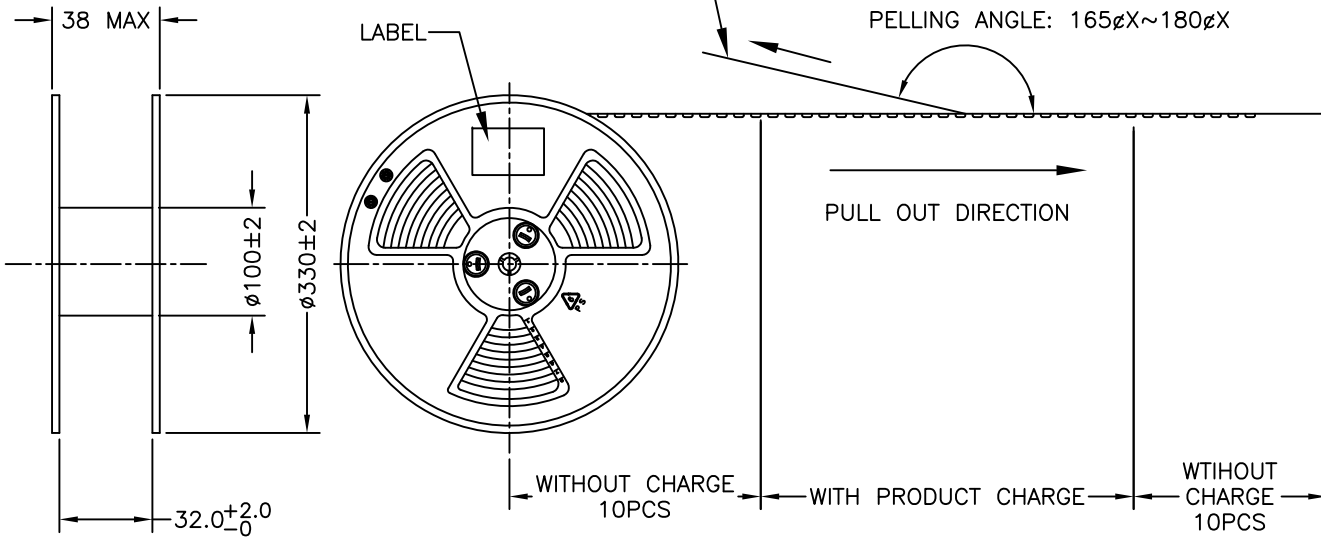
30μ"	845-008-206CRLN
15μ"	845-008-205CRLN
G/F	845-008-207CRLN
PLATING	PART NUMBER

PROPRIETARY NOTE:
This document contains confidential information and proprietary to Rego Electronics and shall not be reproduced or disclosed to other documents or used for any purpose other than that for which was obtained without the expressed written consent of Rego Electronics.

.X ± 0.30	APPROVED: Chris	 http://www.rego.com.tw	
.XX ± 0.20	CHECKED: Denny		
.XXX ± 0.15	DRAWN: Bryan		
X° ± 3'	UNITS: mm	SCALE: NONE	TITLE: Display Port Reverse PTH Type PCB Mount connector (Height Over Board 6.09mm)
			PART NO: 845-008-206CRLN
			SHEET: 1 OF 2

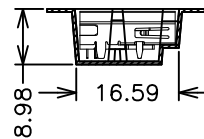
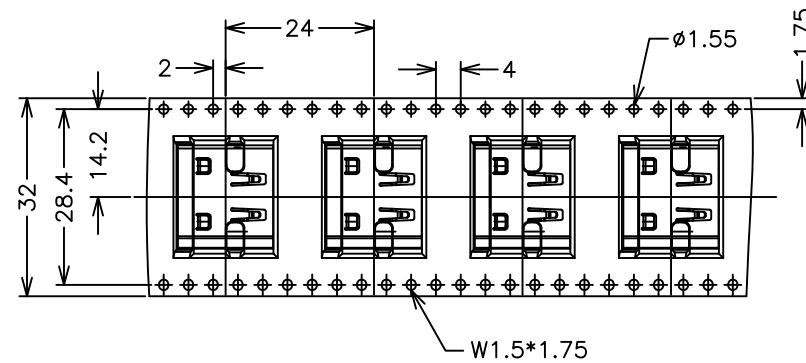
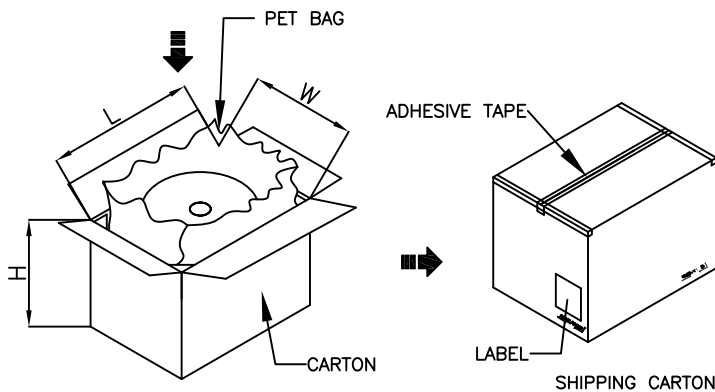
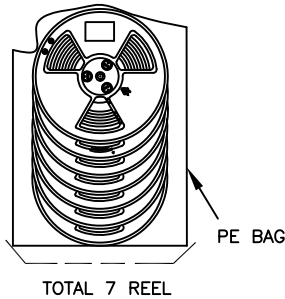
1 2 3 4 5 6 7 8 9 10

AROUND THE OUTER PERIPHERY IN A TURE.
WEEDING THE COVER TAPE.



NOTE:

1. PEELING SPEED: 300mm/MINUTE
2. PEELING RESISTANCE: 20g~130g
3. PEELING ANGLE: $165^\circ \sim 180^\circ$
4. DIMENSION:
INNER CARTON:
L=350, W=350, H=280
5. QUANTITY:
300 PCS/REEL
7 PCS REEL/SHIPPING CARTON
2100 PCS/SHIPPING CARTON



PROPRIETARY NOTE:

This document contains confidential information and proprietary to Rego Electronics and shall not be reproduced or disclosed to other documents or used for any purpose other than that for which was obtained without the expressed written consent of Rego Electronics.

.X ± 0.30	APPROVED:	Chris
.XX ± 0.20	CHECKED:	Denny
.XXX ± 0.15	DRAWN:	Bryan
X* ± 3'		



TITLE: Display Port Reverse PTH Type PCB Mount connector (Height Over Board 6.09mm)

	UNITS:	SCALE:
	mm	NONE

PART NO: 845-008-206CRLN

SHEET: 2 OF 2

A	22.5.2017
REV	DATE