

1 2 3 4 5 6 7 8 9 10

A

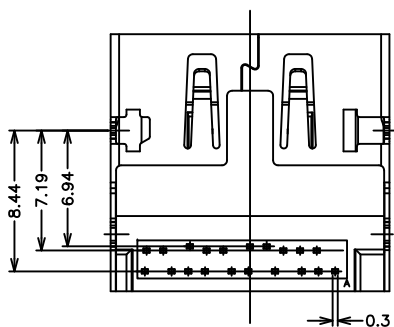
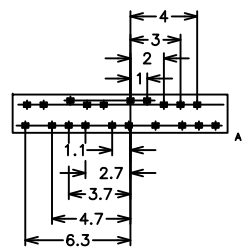
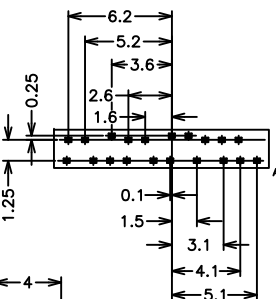
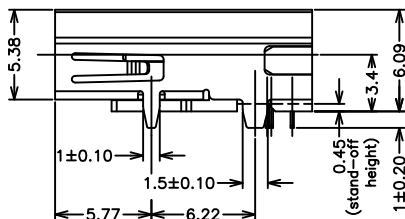
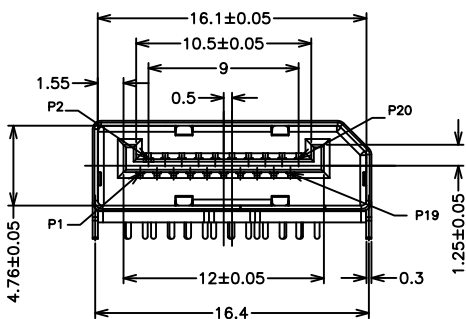
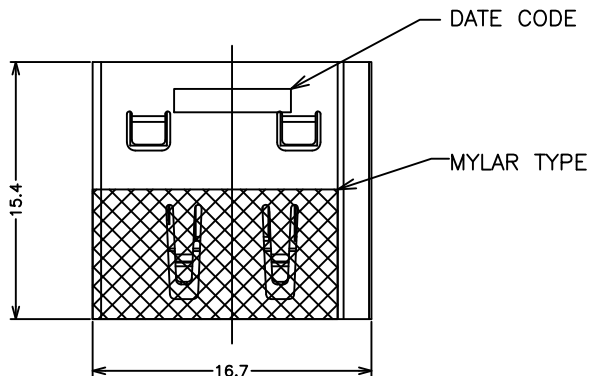
B

C

D

E

F



NOTES:

1.MATERIAL:

HOUSING:THERMOPLASTIC, HIGH TEMP, 30% G/F UL94 V-0
 COLOR:BLACK
 SHELL:STAINLESS STEEL
 CONTACT:COPPER ALLOY

2.FINISH:

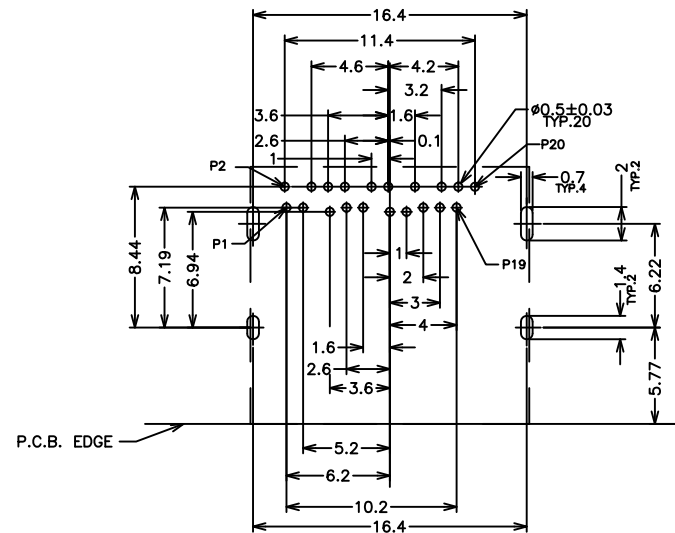
CONTACT:GOLD PLATING ON CONTACT AREA
 100u" MIN. MATTE TIN PLATING ON SOLDER TAILS
 50u" MIN. NICKEL UNDERPLATING OVER ALL

SHELL: 50u" MIN.NICKEL UNDERPLATING OVERALL

3.PRODUCT IS HALOGEN FREE

PIN DEFINITION


PIN	SIGNAL NAME
1	ML_LANE 0(p)
2	GND
3	ML_LANE 0(n)
4	ML_LANE 1(p)
5	GND
6	ML_LANE 1(n)
7	ML_LANE 2(p)
8	GND
9	ML_LANE 2(n)
10	ML_LANE 3(p)
11	GND
12	ML_LANE 3(n)
13	GND
14	GND
15	AUX CH (p)
16	GND
17	AUX CH (n)
18	Hot Plug Detect
19	Return
20	DP_PWR



RECOMMEND P.C.BOARD LAYOUT T=1.20mm
 PCB TOLERANCE:±0.05

PROPRIETARY NOTE:

This document contains confidential information and proprietary to Rego Electronics and shall not be reproduced or disclosed to other documents or used for any purpose other than that for which was obtained without the expressed written consent of Rego Electronics.

.X ± 0.30	APPROVED: Chris	 http://www.rego.com.tw
.XX ± 0.20	CHECKED: Denny	
.XXX ± 0.15	DRAWN: Bryan	
X* ± 3'	UNITS: mm	SCALE: NONE
TITLE: Display Port Reverse PTH Type PCB Mount connector (Height Over Board 6.09mm)		PART NO: 845-006-206CRLN
SHEET: 1 OF 2		

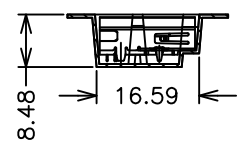
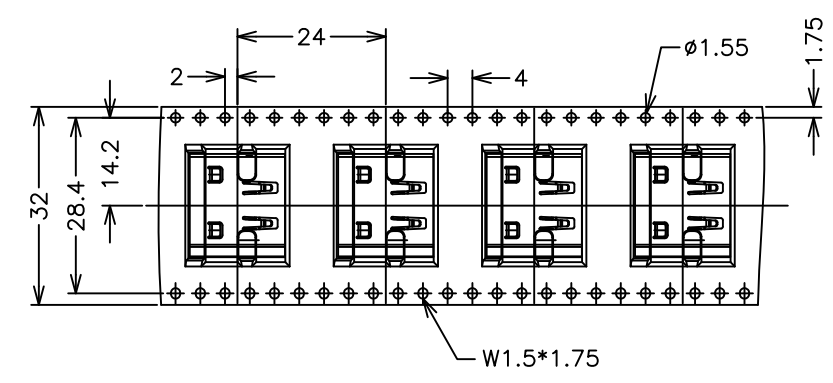
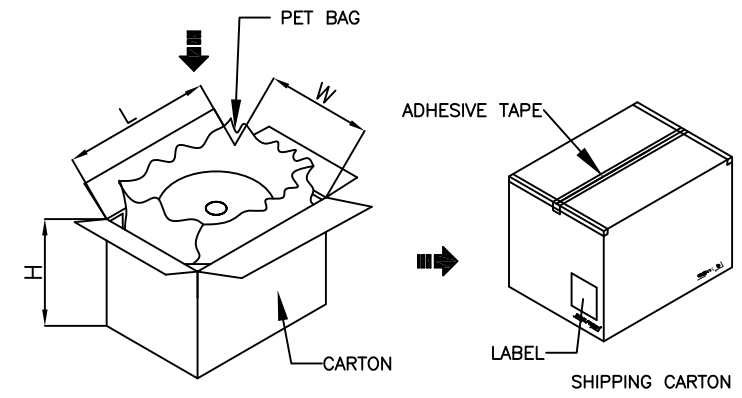
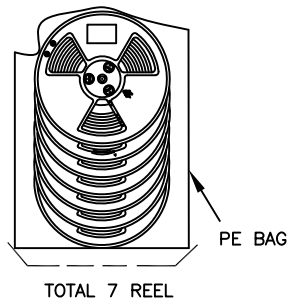
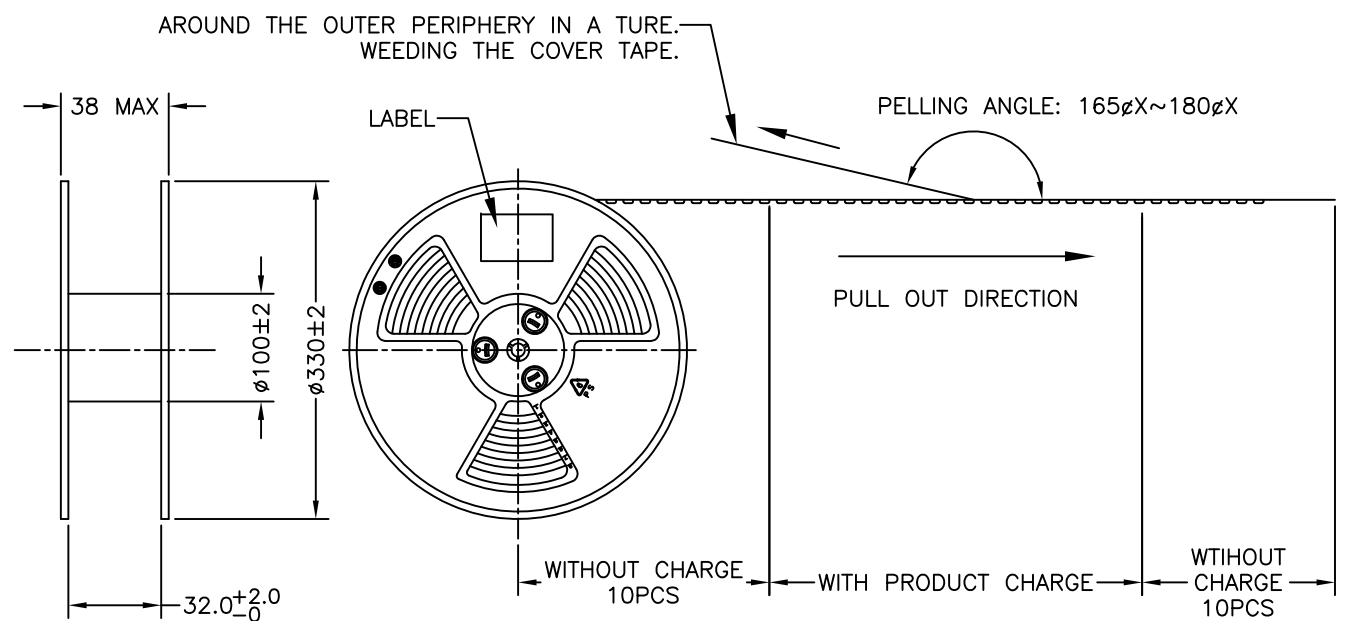
30μ"	845-006-206CRLN
PLATING	PART NUMBER


A	22.5.2017
REV	DATE

1 2 3 4 5 6 7 8 9 10

NOTE:

1. PEELING SPEED: 300mm/MINUTE
2. PEELING RESISTANCE: 20g~130g
3. PEELING ANGLE: 165° ~ 180°
4. DIMENSION:
INNER CARTON:
L=350, W=350, H=280
5. QUANTITY:
300 PCS/REEL
7 PCS REEL/SHIPPING CARTON
2100 PCS/SHIPPING CARTON



<p>PROPRIETARY NOTE: This document contains confidential information and proprietary to Rego Electronics and shall not be reproduced or disclosed to other documents or used for any purpose other than that for which was obtained without the expressed written consent of Rego Electronics.</p>		
.X ± 0.30	APPROVED: Chris	 http://www.rego.com.tw
.XX ± 0.20	CHECKED: Denny	
.XXX ± 0.15	DRAWN: Bryan	TITLE: Display Port Reverse PTH Type PCB Mount connector (Height Over Board 6.09mm)
X° ± 3'	UNITS: mm	SCALE: NONE
<p>PART NO: 845-006-206CRLN</p>		<p>SHEET: 2 OF 2</p>

A	22.5.2017
REV	DATE