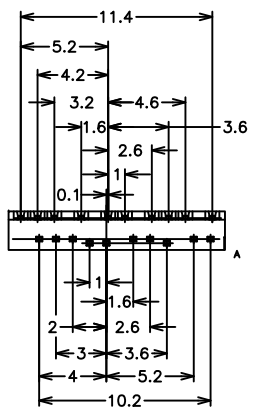
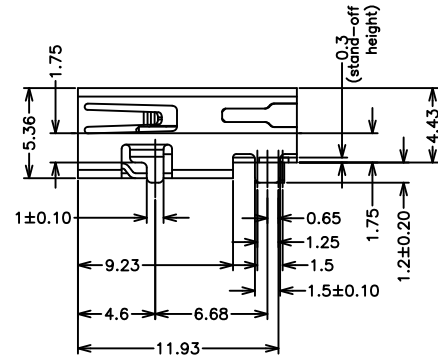
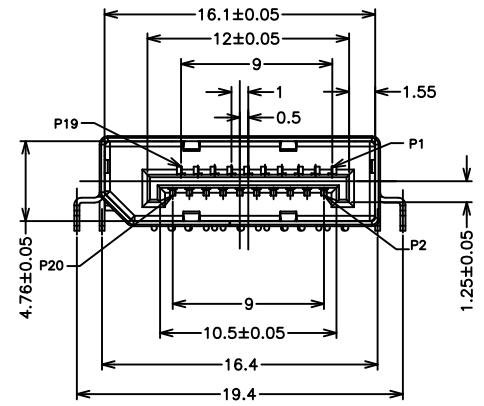
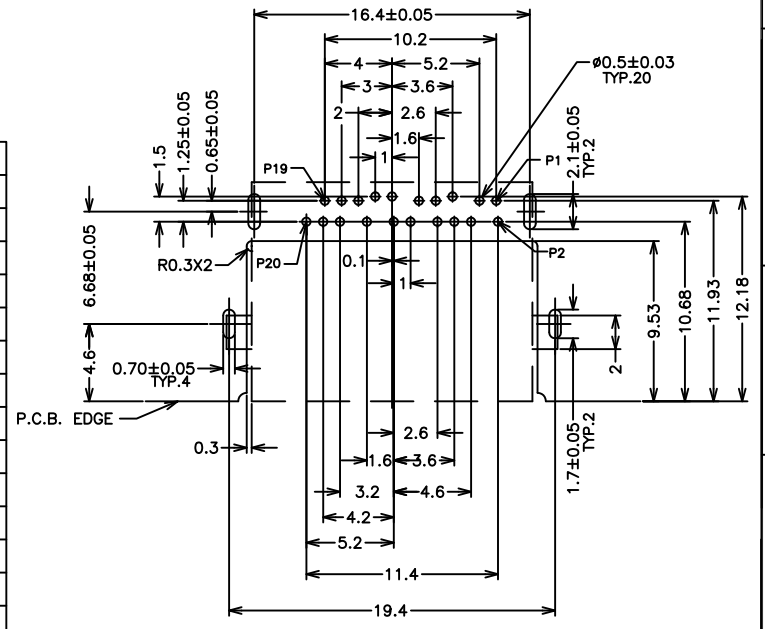


NOTES:
 1.MATERIAL:
 HOUSING:THERMOPLASTIC, HIGH TEMP, 30% G/F UL94 V-0
 COLOR:BLACK
 SHELL:STAINLESS STEEL
 CONTACT:COPPER ALLOY
 2.FINISH:
 CONTACT:GOLD PLATING ON CONTACT AREA
 00u" MIN. MATTE TIN PLATING ON SOLDER TAILS
 50u" MIN. NICKEL UNDERPLATING OVER ALL
 SHELL: 50u" MIN.NICKEL UNDERPLATING OVERALL




PIN DEFINITION

PIN	SIGNAL NAME
1	ML_LANE 0(p)
2	GND
3	ML_LANE 0(n)
4	ML_LANE 1(p)
5	GND
6	ML_LANE 1(n)
7	ML_LANE 2(p)
8	GND
9	ML_LANE 2(n)
10	ML_LANE 3(p)
11	GND
12	ML_LANE 3(n)
13	GND
14	GND
15	AUX CH (p)
16	GND
17	AUX CH (n)
18	Hot Plug Detect
19	Return
20	DP_PWR



RECOMMEND P.C.BOARD LAYOUT T=1.20mm
 PCB TOLERANCE:±0.05

PROPRIETARY NOTE:
 This document contains confidential information and proprietary to Rego Electronics and shall not be reproduced or disclosed to other documents or used for any purpose other than that for which was obtained without the expressed written consent of Rego Electronics.

.X ± 0.30	APPROVED: Chris	 http://www.rego.com.tw
.XX ± 0.20	CHECKED: Denny	
.XXX ± 0.15	DRAWN: Bryan	
X* ± 3'		
UNITS: mm	SCALE: NONE	TITLE: Display Port Standard & Mid-plane PTH Type PCB Mount connector (Offset CH=1.75mm)
PART NO: 845-007-207CRLND		SHEET: 1 OF 2

A	22.5.2017
REV	DATE

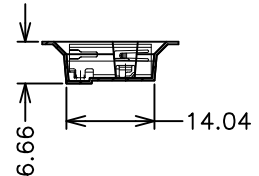
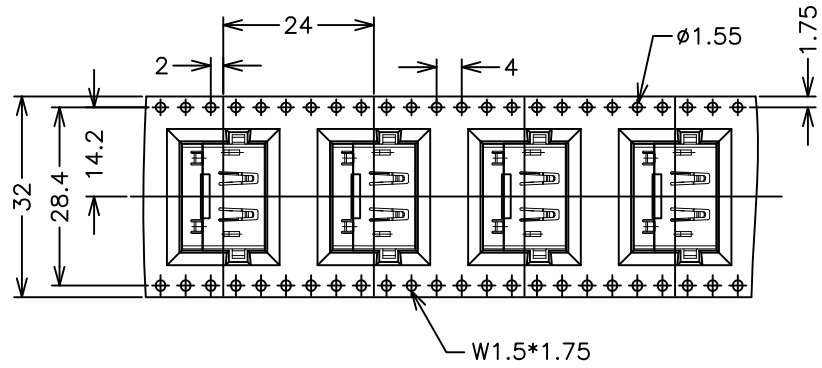
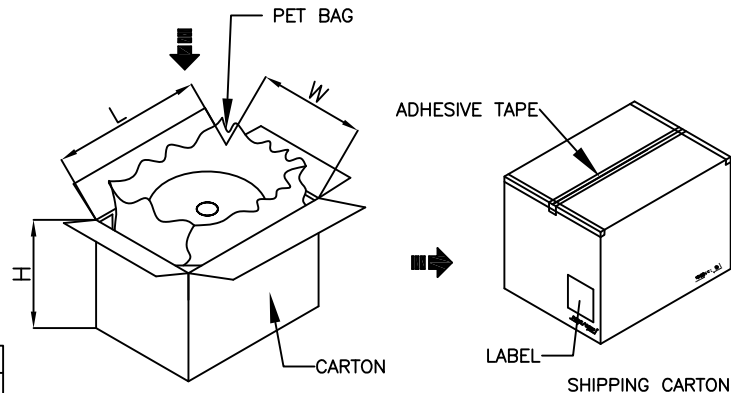
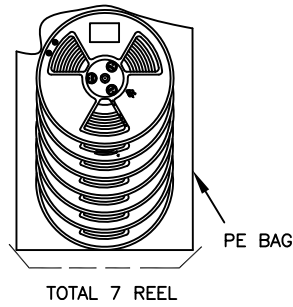
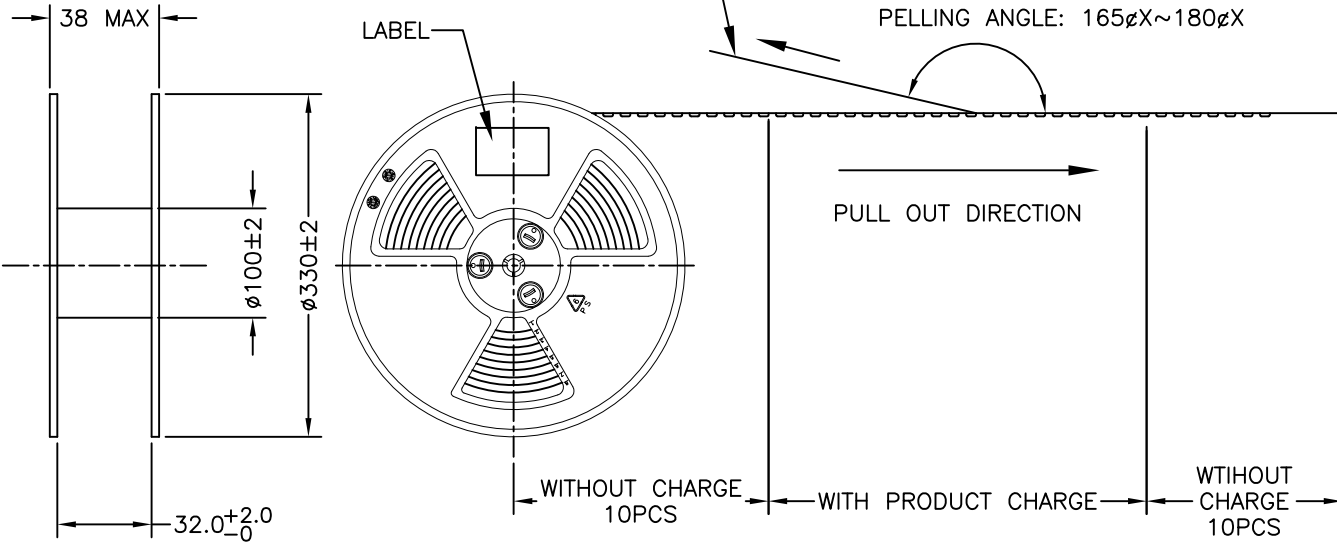
G/F	DP007-207CRL-ND
PLATING	PART NUMBER


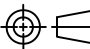
AROUND THE OUTER PERIPHERY IN A TURE.
WEEDING THE COVER TAPE.

PELLING ANGLE: $165^{\circ}X \sim 180^{\circ}X$

NOTE:

1. PEELING SPEED: 300mm/MINUTE
2. PEELING RESISTANCE: 20g~130g
3. PEELING ANGLE: $165^{\circ} \sim 180^{\circ}$
4. DIMENSION:
INNER CARTON:
L=350, W=350, H=280
5. QUANTITY:
300 PCS/REEL
7 PCS REEL/SHIPPING CARTON
2100 PCS/SHIPPING CARTON



PROPRIETARY NOTE: This document contains confidential information and proprietary to Rego Electronics and shall not be reproduced or disclosed to other documents or used for any purpose other than that for which was obtained without the expressed written consent of Rego Electronics.			
.X ± 0.30	APPROVED: Chris	 http://www.rego.com.tw	
.XX ± 0.20	CHECKED: Denny		
.XXX ± 0.15	DRAWN: Bryan		
X* ± 3*			
	UNITS: mm	SCALE: NONE	TITLE: Display Port Standard & Mid-plane PTH Type PCB Mount connector (Offset CH=1.75mm)
			PART NO: 845-007-207CRLND
			SHEET: 2 OF 2

A	22.5.2017
REV	DATE