


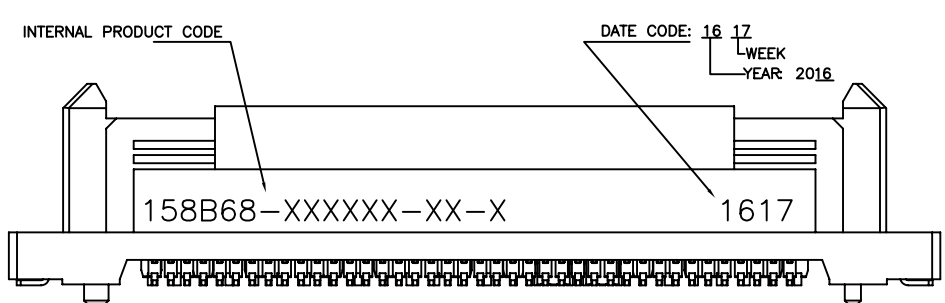
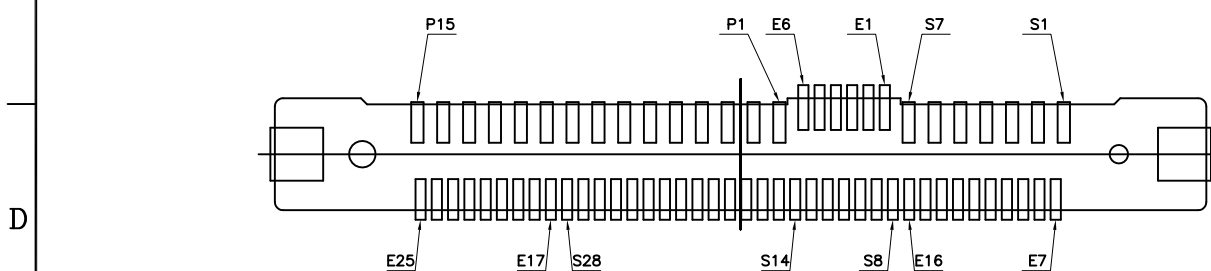
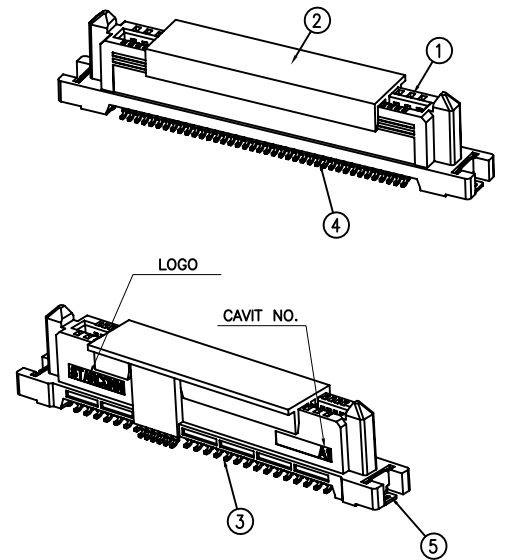
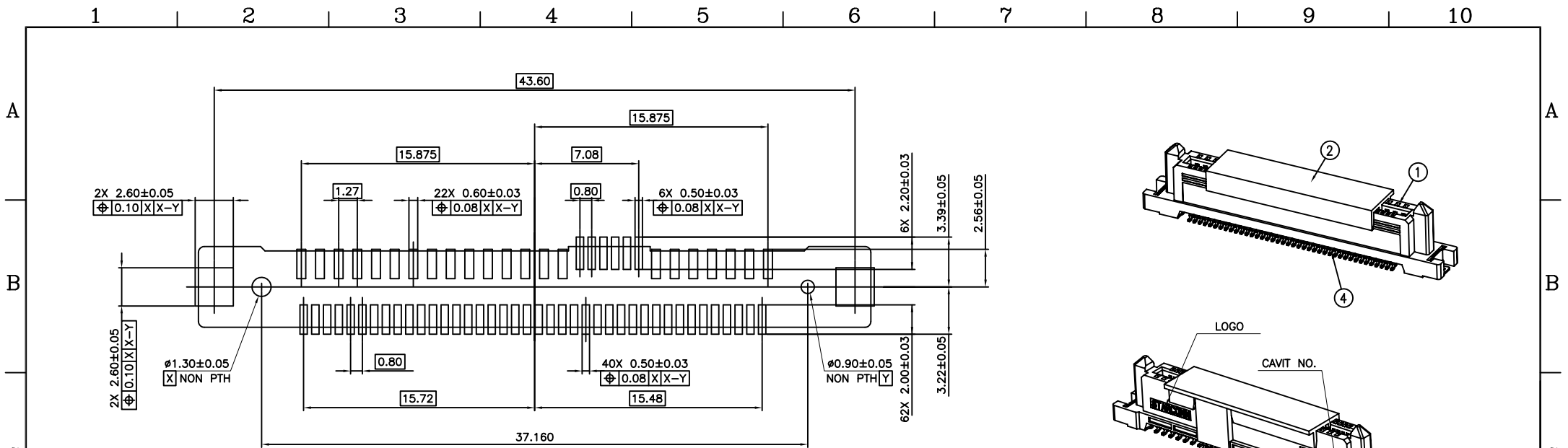
NOTES:
 1. UNLESS OTHERWISE SPECIFIED, ALL TOLERANCES FOLLOW DRAWING COMMON STANDARD.
 2. PART NO. DESCRIPTION :
 8 8 5 - 1 5 8 B 6 8 - 0 0 0 0 0 0 - M 9 - R
 NUMBER OF POS : 68..... 68 POS.
 PLATING OPTION : _____ ROHS (NON HALOGEN)
 M9..... CONTACT AREA Au 0.76μm [30μ"]
 SOLDERING AREA TIN(MATTE) 100~200μ"
 OVER ALL 50~150μ" NICKEL UNDER PLATING

5	LATCH	2	COPPER ALLOY	TIN 100~200μ"
4	Pitch0.80 CONTACT	46	COPPER ALLOY	SEE NOTES
3	Pitch1.27 CONTACT	22	COPPER ALLOY	SEE NOTES
2	CAP	1	GLASS FILLED LCP, UL94 V-0	BLACK
1	HOUSING	1	GLASS FILLED LCP, UL94 V-0	BLACK
NO.	DESCRIPTION	QTY.	MATERIAL	FINISH/COLOR

PROPRIETARY NOTE:
 This document contains confidential information and proprietary to Rego Electronics and shall not be reproduced or disclosed to other documents or used for any purpose other than that for which was obtained without the expressed written consent of Rego Electronics.

.X ±0.30	APPROVED: Chris	 http://www.rego.com.tw
.XX ±0.20	CHECKED: Denny	
.XXX±0.15	DRAWN: Bryan	
X' ± 3'		
UNITS: mm	SCALE: NONE	TITLE: SAS 12G Vertical Type Connector
		PART NO: 885-158B68-000000-M9-R
		SHEET: 1 OF 2


A	22.5.2017
REV	DATE



5	LATCH	2	COPPER ALLOY	TIN 100~200μ"
4	Pitch0.80 CONTACT	46	COPPER ALLOY	SEE NOTES
3	Pitch1.27 CONTACT	22	COPPER ALLOY	SEE NOTES
2	CAP	1	GLASS FILLED LCP, UL94 V-0	BLACK
1	HOUSING	1	GLASS FILLED LCP, UL94 V-0	BLACK
NO.	DESCRIPTION	QTY.	MATERIAL	FINISH/COLOR

A	22.5.2017
REV	DATE

PROPRIETARY NOTE:
 This document contains confidential information and proprietary to Rego Electronics and shall not be reproduced or disclosed to other documents or used for any purpose other than that for which was obtained without the expressed written consent of Rego Electronics.

.X ±0.30	APPROVED: Chris	 http://www.rego.com.tw
.XX ±0.20	CHECKED: Denny	
.XXX±0.15	DRAWN: Bryan	
X' ± 3'		
UNITS: mm	SCALE: NONE	TITLE: SAS 12G Vertical Type Connector
		PART NO: 885-158B68-000000-M9-R
		SHEET: 2 OF 2