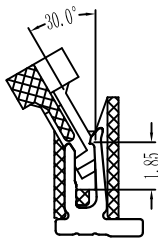
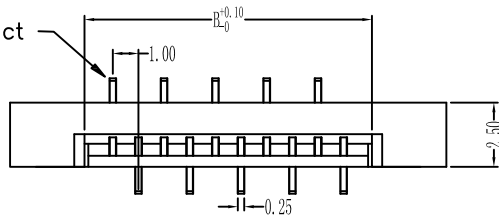


1 2 3 4 5 6 7 8 9 10

A

NO.1 Contact



A--A

B

Notes:

Housing : Thermalplastic LCP , UL 94V-0

Cover : Thermalplastic PPS , UL 94V-0

Contact : Phosphor bronze

Tin plated, Nickel over all

Fitting nail :Brass

Tin plated, Nickel over all

Part No. :

697-FPCSBSN-H25 - xxxL

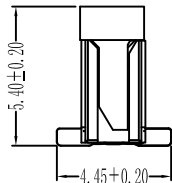
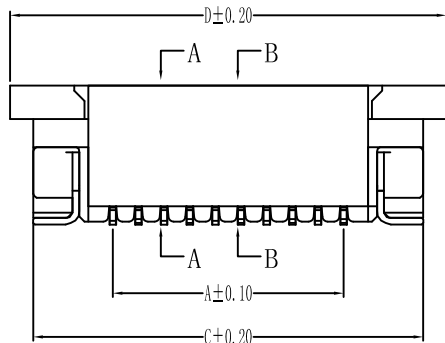
L: Low Pb

T: Tube R: Reel(1500pcs/Reel)

No. Of Contacts

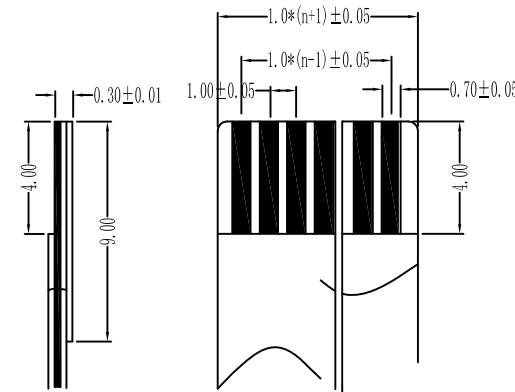
Series

C

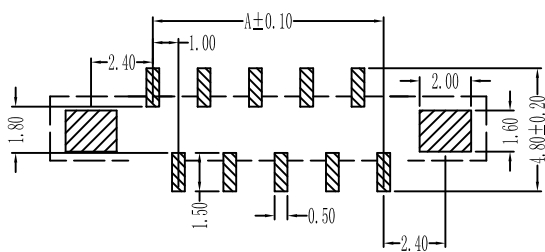


D

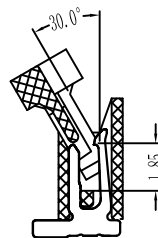
No.of Contacts	DIM. A	DIM. B	DIM. C	DIM. D
04	3	5.2	9.2	11
05	4	6.2	10.2	12
06	5	7.2	11.2	13
07	6	8.2	12.2	14
08	7	9.2	13.2	15
09	8	10.2	14.2	16
10	9	11.2	15.2	17
11	10	12.2	16.2	18
12	11	13.2	17.2	19
13	12	14.2	18.2	20
14	13	15.2	19.2	21
15	14	16.2	20.2	22
16	15	17.2	21.2	23
17	16	18.2	22.2	24
18	17	19.2	23.2	25
19	18	20.2	24.2	26
20	19	21.2	25.2	27
21	20	22.2	26.2	28
22	21	23.2	27.2	29
23	22	24.2	28.2	30
24	23	25.2	29.2	31
25	24	26.2	30.2	32
26	25	27.2	31.2	33
27	26	28.2	32.2	34
28	27	29.2	33.2	35
29	28	30.2	34.2	36
30	29	31.2	35.2	37
31	30	32.2	36.2	38
32	31	33.2	37.2	39
33	32	34.2	38.2	40
34	33	35.2	39.2	41



E



PCB Layout



B--B

F

PROPRIETARY NOTE:

This document contains confidential information and proprietary to Rego Electronics and shall not be reproduced or disclosed to other documents or used for any purpose other than that for which was obtained without the expressed written consent of Rego Electronics.

. X ± 0.30
. XX ± 0.20
. XXX ± 0.15
X° ± 3'

APPROVED: Chris
CHECKED: Denny
DRAWN: Bryan



TITLE: 1.0mm FPC-FFC Vertical B Type Connector

UNITS: mm
SCALE: NONE

PART NO: 697-FPCSBSN-H25-xxxL
SHEET: 1 OF 1

A	22.5.2017
REV	DATE

1 2 3 4 5 6 7 8 9 10