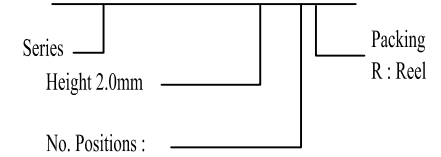


NOTES:

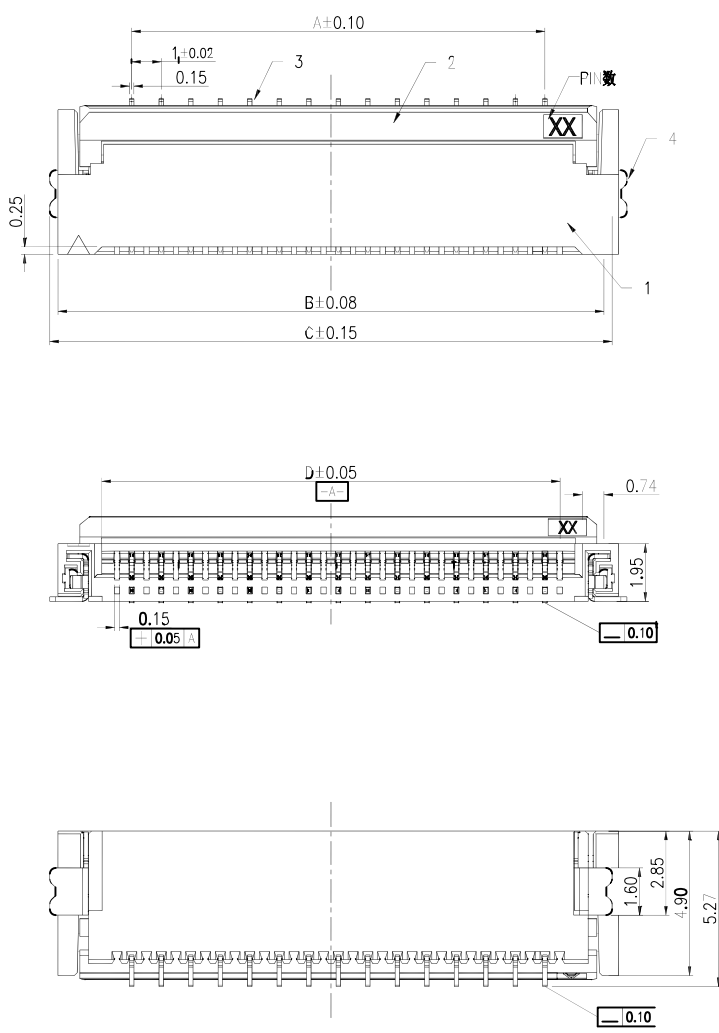
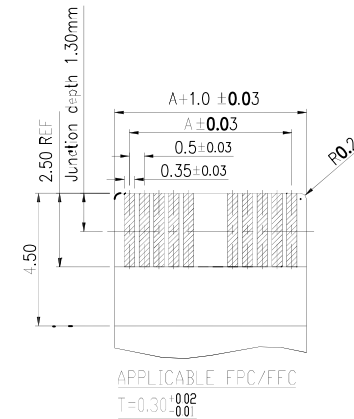
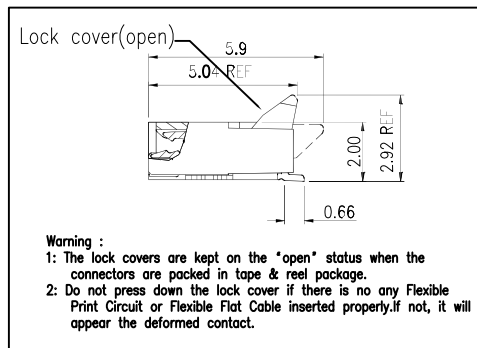
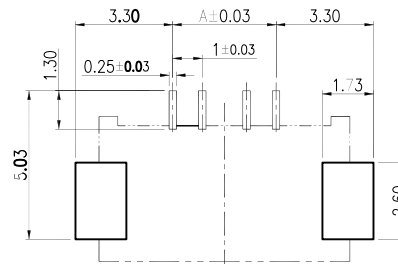
- 1.HUOSINGT: LCP HIGH-TEMP THERMOPLASTIC UL94V-0
- 2.ACTUATOR: LCP HIGH-TEMP THERMOPLASTIC UL94V-0
- 3.TERMINAL:PHOSPHOR BRONZE
- 4.FITTING NAIL:BRASS

■ PART NO.

697-FPC10PSSN-H20-xxRL



RECOMMENDED PCB LAYOUT



NO.	POS	A	B	C	D
4	4.00	8.00	8.55	5.05	
6	6.00	10.00	10.55	7.05	
7	7.00	11.00	11.55	8.05	
12	12.00	16.00	16.55	13.05	
22	22.00	26.00	26.55	23.05	

PROPRIETARY NOTE:  
 This document contains confidential information and proprietary to Rego Electronics and shall not be reproduced or disclosed to other documents or used for any purpose other than that for which was obtained without the expressed written consent of Rego Electronics.

.X ± 0.30	APPROVED: Chris	 <a href="http://www.rego.com.tw">http://www.rego.com.tw</a>
.XX ± 0.20	CHECKED: Denny	
.XXX ± 0.15	DRAWN: Bryan	TITLE: 1.0mm FPC-FFC Rear lock cover Double side contact 2.0h Connector
X* ± 3'	UNITS: mm	SCALE: NONE
PART NO: 697-FPC10PSSN-H20-xxRL		SHEET: 1 OF 1

NO.	COMPONENTS	MATERIALS	COLOR SPECIFICATION	QUANTITY
1	HOUSING	LCP	NATURAL UL94V-0	1 PCS
2	COVER	LCP	BLACK UL94V-0	1 PCS
3	CONTACT	PHOSPHOR BRONZE	T=0.15mm PLATING	POSITIONS
4	SLIOTIP	BRASS	T=0.15mm PLATING	2 PCS

A	22.5.2017
REV	DATE

1 2 3 4 5 6 7 8 9 10

A  
B  
C  
D  
E  
F

A  
B  
C  
D  
E  
F

1 2 3 4 5 6 7 8 9 10