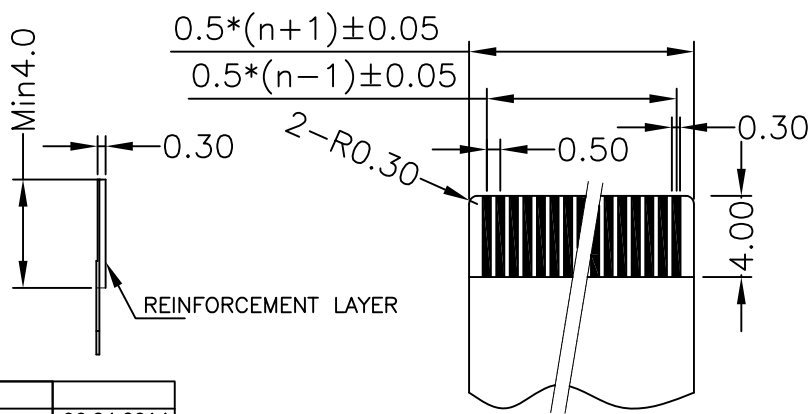
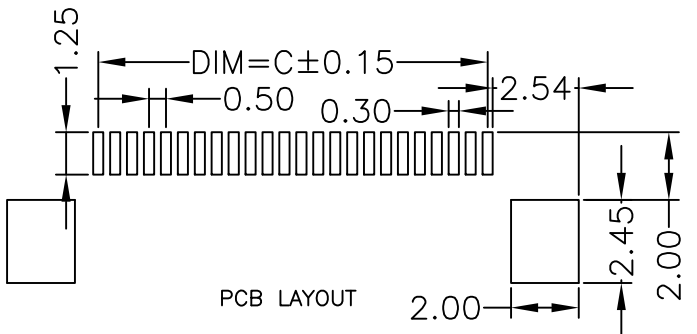


1.MATERIAL  
 HOUSING:LCP UL 94V-0  
 ACTUATOR:LCP UL 94V-0  
 CONTACTS:COPPER ALLOY  
 PEG: COPPER ALLOY  
 2.PLATING:  
 CONTACTS:TIN OVER NICKEL  
 PEG:TIN OVER NICKEL  
 3.PART NO:  
 OPERATING VOLTAGE:50V AC,DC  
 CURRENT RATING:0.3A AC,DC  
 OPERATING TEMPERATURE:-25C~+85C

| PIN | DIM=A | DIM=B | DIM=C | DIM=D |
|-----|-------|-------|-------|-------|
| 4P  | 8.0   | 6.8   | 1.50  | 2.6   |
| 5P  | 8.5   | 7.3   | 2.00  | 3.1   |
| 6P  | 9.0   | 7.8   | 2.50  | 3.6   |
| 7P  | 9.5   | 8.3   | 3.00  | 4.1   |
| 8P  | 10.0  | 8.8   | 3.50  | 4.6   |
| 9P  | 10.5  | 9.3   | 4.00  | 5.1   |
| 10P | 11.0  | 9.8   | 4.50  | 5.6   |
| 11P | 11.5  | 10.3  | 5.00  | 6.1   |
| 12P | 12.0  | 10.8  | 5.50  | 6.6   |
| 13P | 12.5  | 11.3  | 6.00  | 7.1   |
| 14P | 13.0  | 11.8  | 6.50  | 7.6   |
| 15P | 13.5  | 12.3  | 7.00  | 8.1   |
| 16P | 14.0  | 12.8  | 7.50  | 8.6   |
| 17P | 14.5  | 13.3  | 8.00  | 9.1   |
| 18P | 15.0  | 13.8  | 8.50  | 9.6   |
| 19P | 15.5  | 14.3  | 9.00  | 10.1  |
| 20P | 16.0  | 14.8  | 9.50  | 10.6  |
| 21P | 16.5  | 15.3  | 10.00 | 11.1  |
| 22P | 17.0  | 15.8  | 10.50 | 11.6  |
| 23P | 17.5  | 16.3  | 11.00 | 12.1  |
| 24P | 18.0  | 16.8  | 11.50 | 12.6  |
| 25P | 18.5  | 17.3  | 12.00 | 13.1  |
| 26P | 19.0  | 17.8  | 12.50 | 13.6  |
| 27P | 19.5  | 18.3  | 13.00 | 14.1  |
| 28P | 20.0  | 18.8  | 13.50 | 14.6  |
| 29P | 20.5  | 19.3  | 14.00 | 15.1  |
| 30P | 21.0  | 19.8  | 14.50 | 15.6  |
| 31P | 21.5  | 20.3  | 15.00 | 16.1  |
| 32P | 22.0  | 20.8  | 15.50 | 16.6  |
| 33P | 22.5  | 21.3  | 16.00 | 17.1  |
| 34P | 23.0  | 21.8  | 16.50 | 17.6  |
| 35P | 23.5  | 22.3  | 17.00 | 18.1  |
| 36P | 24.0  | 22.8  | 17.50 | 18.6  |
| 37P | 24.5  | 23.3  | 18.00 | 19.1  |
| 38P | 25.0  | 23.8  | 18.50 | 19.6  |
| 39P | 25.5  | 24.3  | 19.00 | 20.1  |
| 40P | 26.0  | 24.8  | 19.50 | 20.6  |
| 41P | 26.5  | 25.3  | 20.00 | 21.1  |
| 42P | 27.0  | 25.8  | 20.50 | 21.6  |
| 43P | 27.5  | 26.3  | 21.00 | 22.1  |
| 44P | 28.0  | 26.8  | 21.50 | 22.6  |
| 45P | 28.5  | 27.3  | 22.00 | 23.1  |
| 46P | 29.0  | 27.8  | 22.50 | 23.6  |
| 47P | 29.5  | 28.3  | 23.00 | 24.1  |
| 48P | 30.0  | 28.8  | 23.50 | 24.6  |
| 49P | 30.5  | 29.3  | 24.00 | 25.1  |
| 50P | 31.0  | 29.8  | 24.50 | 25.6  |
| 51P | 31.5  | 30.3  | 25.00 | 26.1  |
| 52P | 32.0  | 30.8  | 25.50 | 26.6  |
| 53P | 32.5  | 31.3  | 26.00 | 27.1  |
| 54P | 33.0  | 31.8  | 26.50 | 27.6  |
| 55P | 33.5  | 32.3  | 27.00 | 28.1  |
| 56P | 34.0  | 32.8  | 27.50 | 28.6  |
| 57P | 34.5  | 33.3  | 28.00 | 29.1  |
| 58P | 35.0  | 33.8  | 28.50 | 29.6  |
| 59P | 35.5  | 34.3  | 29.00 | 30.1  |
| 60P | 36.0  | 34.8  | 29.50 | 30.6  |



PART NO.  
 697-FPC05LSN-H12-XXXL

Height  
 NUMBER OF POSITIONS  
 L: Low Pb  
 PACKING TYPE  
 1: TUBE  
 2: REEL



|     |            |
|-----|------------|
| A   | 06.24.2014 |
| REV | DATE       |

PROPRIETARY NOTE:  
 This document contains confidential information and proprietary to Rego Electronics and shall not be reproduced or disclosed to other documents or used for any purpose other than that for which was obtained without the expressed written consent of Rego Electronics.

|   |                 |  |
|---|-----------------|--|
| .X ± 0.30   | APPROVED: Chris | <br><a href="http://www.rego.com.tw">http://www.rego.com.tw</a> |
| .XX ± 0.20  | CHECKED: Denny  |  |
| .XXX ± 0.15   | DRAWN: Bryan    |  |
| X* ± 3*   |                 |  |
|  | UNITS: mm       | SCALE: NONE  |
| TITLE: FPC FFC Connector 0.5mm Pitch Downside Contact                                 |                 | PART NO: 697-FPC05LSN-H12-xxxL   |
| SHEET: 1 OF 1   |                 |  |