

A

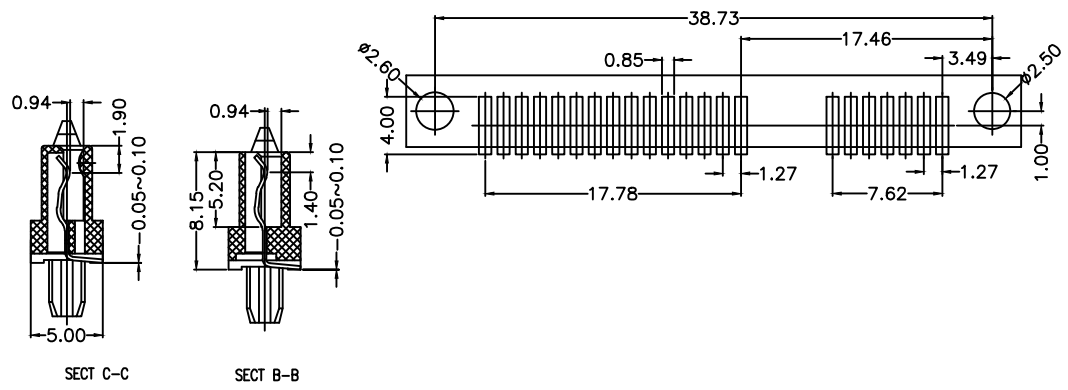
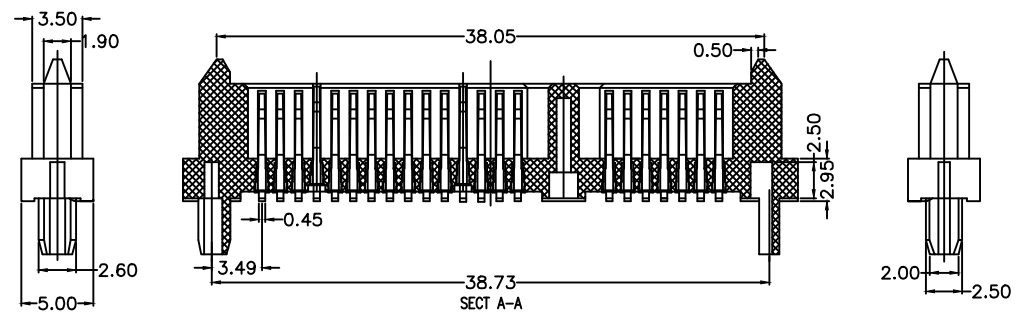
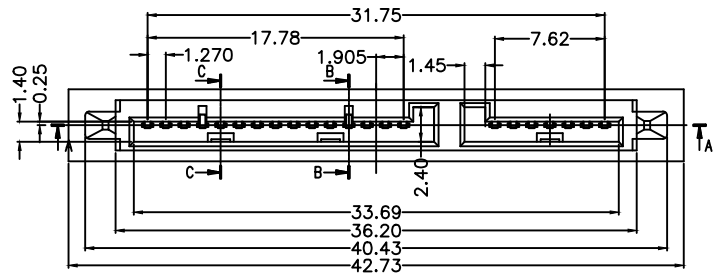
B

C

D

E

F

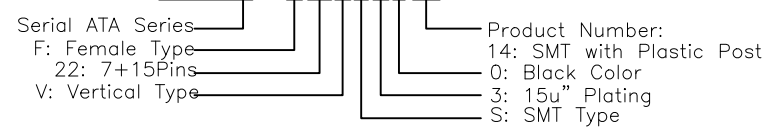




NOTES:

- Material:  
Housing: LCP+50%G.F, UL 94V-0 Rated.  
Color: Black.  
Contact: Phosphor Bronze.  
Plating: Gold Plating over Nickel on Contact Area.  
Tin Plating on Solder Tail.
- Mechanical:  
Insertion Force: 45N Max.  
Withdrawal Force: 10N Min.  
Durability: 500 Cycles
- Electrical Specification:  
Operation Voltage: 100VAC Max.  
Current Rating: 1.5 Ampere per Contact.  
Contact Resistance: 30mΩ Max.  
Insulation Resistance: 1000MΩ Min.  
Dielectric Withstanding Voltage: 500 VAC.
- Environmental:  
Operating Temperature: -55°C to +85°C

Part Number:

861SAT-F22VS3014



<b>PROPRIETARY NOTE:</b> This document contains confidential information and proprietary to Rego Electronics and shall not be reproduced or disclosed to other documents or used for any purpose other than that for which was obtained without the expressed written consent of Rego Electronics.		
.X ± 0.30	APPROVED: Chris	 <a href="http://www.rego.com.tw">http://www.rego.com.tw</a>
.XX ± 0.20	CHECKED: Denny	
.XXX ± 0.15	DRAWN: Bryan	
X* ± 3°		
	UNITS: mm	SCALE: NONE
	TITLE: Serial ATA 7+15P Female, Vertical Type SMT with Plastic Post, H:9.85mm PART NO: 861SAT-F22VS3014 SHEET: 1 OF 1	

A	RELEASE	01.15.2007
REV	DESCRIPTION	DATE