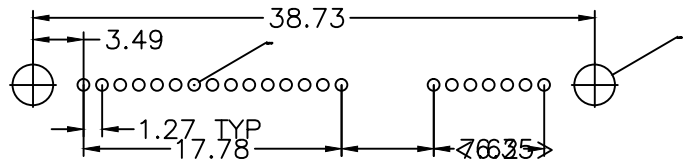
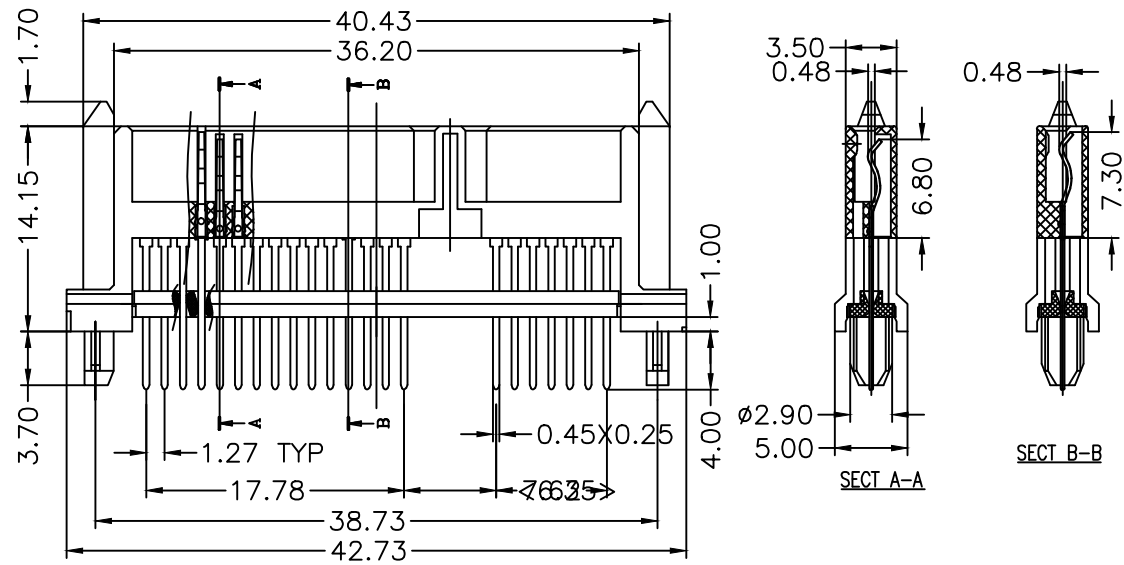
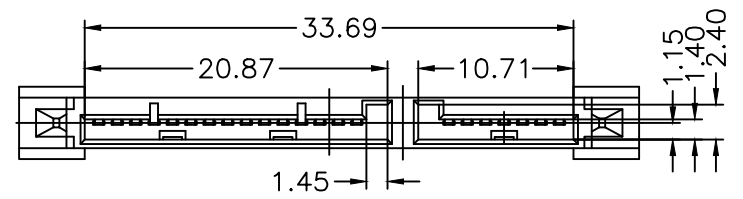


NOTES:

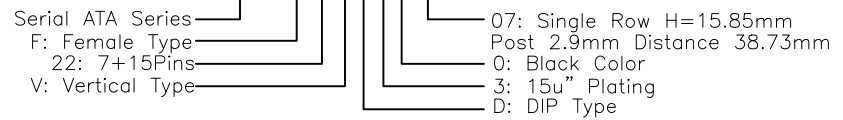
1. Material:
 Housing: LCP+50%G.F, UL 94V-0 Rated.
 Color: Black.
 Contact: Phosphor Bronze.
 Plating: Gold Plating over Nickel on Contact Area.
 Tin Plating on Solder Tail.
2. Mechanical:
 Insertion Force: 45N Max.
 Withdrawal Force: 10N Min.
 Durability: 500 Cycles
3. Electrical Specification:
 Operation Voltage: 100VAC Max.
 Current Rating: 1.5 Ampere per Contact.
 Contact Resistance: 30mΩ Max.
 Insulation Resistance: 1000MΩ Min.
 Dielectric Withstanding Voltage: 500 VAC.
4. Environmental:
 Operating Temperature: -55°C to +85°C


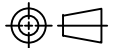


P.C.B. Layout

Part Number:

861SAT-F22VD3007



PROPRIETARY NOTE: This document contains confidential information and proprietary to Rego Electronics and shall not be reproduced or disclosed to other documents or used for any purpose other than that for which was obtained without the expressed written consent of Rego Electronics.		
.X ± 0.30	APPROVED: Chris	 http://www.rego.com.tw
.XX ± 0.20	CHECKED: Denny	
.XXX ± 0.15	DRAWN: Bryan	Serial ATA 7+15P Female, Vertical, Single Row TITLE: Row DIP H=15.85mm, High Profile, Post 2.9mm, Distance 38.73mm
X° ± 3'		
	UNITS: mm	SCALE: NONE
PART NO: 861SAT-F22VD3007		SHEET: 1 OF 1

A	RELEASE DESCRIPTION	01.15.2007
REV	DATE	