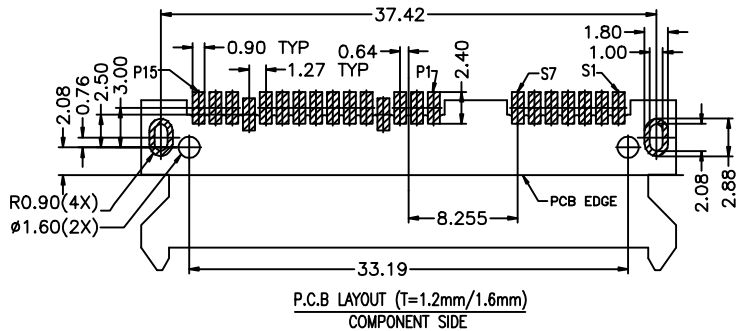
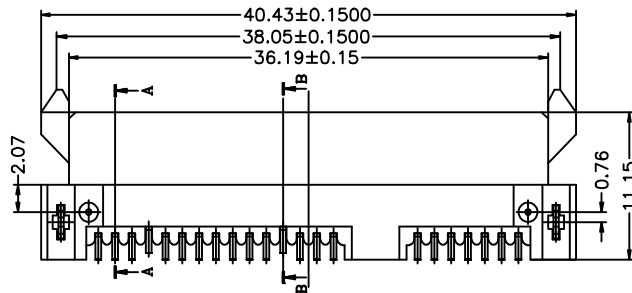
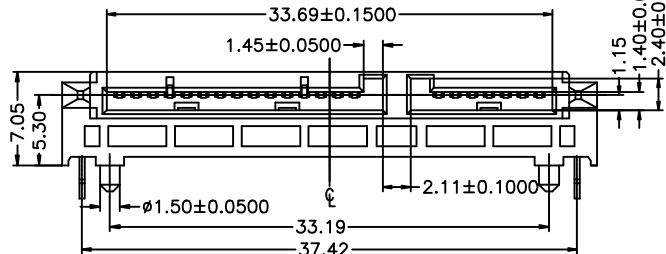
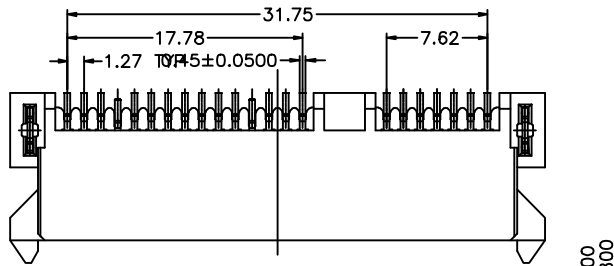
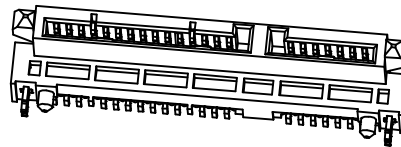
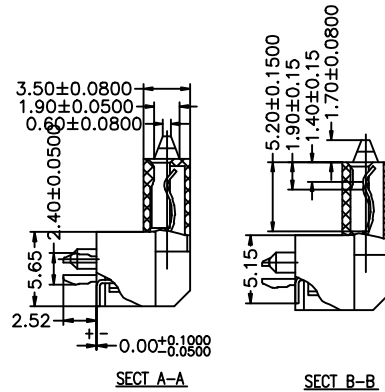


A
B
C
D
E
F



Signal Segment		Power Segment			
Name	Type	Name	Type	Name	Type
S1	GND	P1	V33	P9	V5
S2	A+	P2	V33	P10	GND
S3	A-	P3	V33	P11	DAS/DSS
S4	GND	P4	GND	P12	GND
S5	B-	P5	GND	P13	V12
S6	B+	P6	GND	P14	V12
S7	GND	P7	V5	P15	V12
		P8	V5		



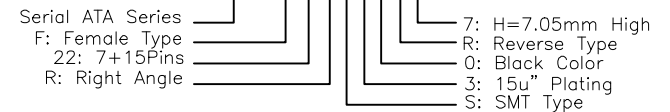
Product 3D


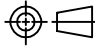
NOTES:

- Material:
Housing: LCP+50%G.F, UL 94V-0 Rated.
Color: Black.
Contact: Phosphor Bronze.
Plating: Gold Plating over Nickel on Contact Area.
Tin Plating on Solder Tail.
Harpoon: Brass.
Plating: Tin Plating over Nickel.
- Mechanical:
Insertion Force: 45N Max.
Withdrawal Force: 10N Min.
Durability: 500 Cycles
- Electrical Specification:
Operation Voltage: 100VAC Max.
Current Rating: 1.5 Ampere per Contact.
Contact Resistance: 30mΩ Max.
Insulation Resistance: 1000MΩ Min.
Dielectric Withstanding Voltage: 500 VAC.
- Environmental:
Operating Temperature: -55°C to +85°C

Part Number:

861SAT-F22RS30R7



PROPRIETARY NOTE: This document contains confidential information and proprietary to Rego Electronics and shall not be reproduced or disclosed to other documents or used for any purpose other than that for which was obtained without the expressed written consent of Rego Electronics.			
.X ± 0.30	APPROVED:	Chris	 http://www.rego.com.tw
.XX ± 0.20	CHECKED:	Denny	
.XXX ± 0.15	DRAWN:	Bryan	
X* ± 3'	UNITS:	SCALE:	TITLE: Serial ATA 7+15P Female, Right Angle Reverse Type, SMT, H:7.05mm PART NO: 861SAT-F22RS30R7 SHEET: 1 OF 1
		mm	NONE

A	RELEASE	01.15.2007
REV	DESCRIPTION	DATE