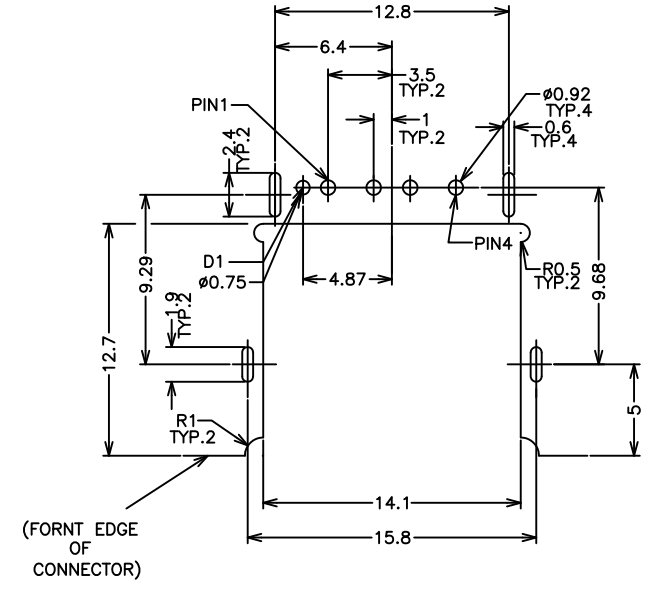
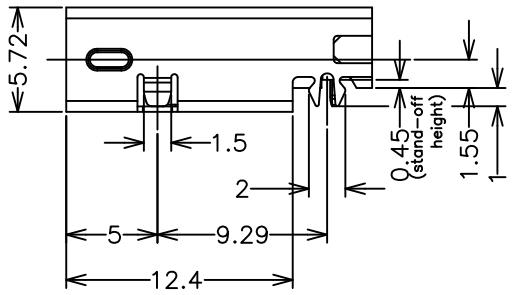
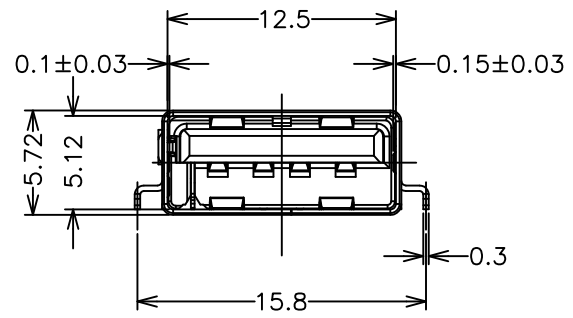
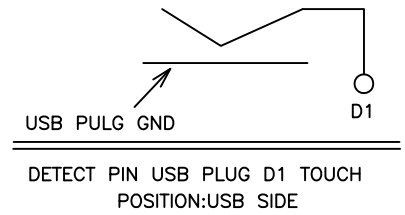
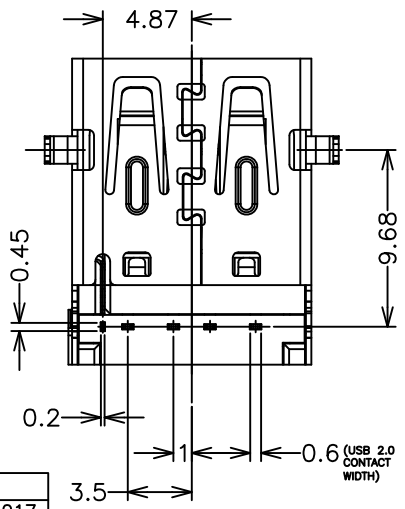

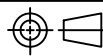


NOTES:
 1.MATERIAL:
 HOUSING:THERMOPLASTIC, HIGH TEMP, 30% G/F UL94 V-0
 COLOR:BLACK
 SHELL:STAINLESS STEEL
 CONTACT:COPPER ALLOY
 2.FINISH:
 CONTACT:GOLD FLASH GOLD-PLATED ON CONTACT AREA, AND
 100u" MIN. MATTE TIN-PLATED ON SOLDER TAILS AREA, WITH
 50u" MIN. NICKEL-PLATED UNDERPLATING OVER ALL.
 SHELL: 50u" MIN. NICKEL-PLATED
 3.PRODUCT IS HALOGEN FREE

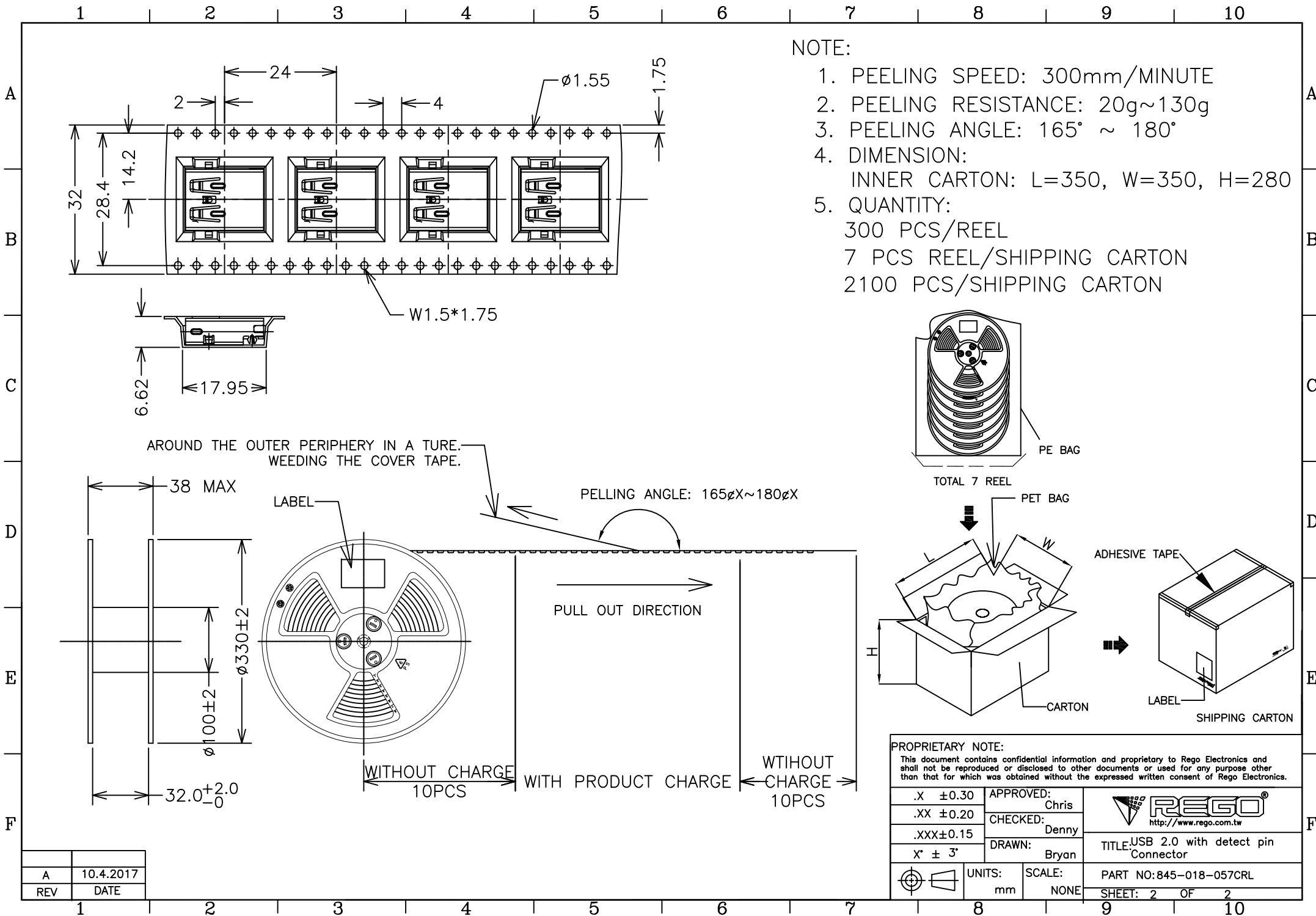


RECOMMEND P.C.BOARD LAYOUT T=1.20mm
 PCB TOLERANCE:±0.05



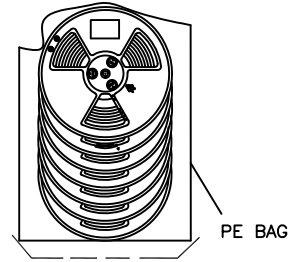
| | | | |
|--|-----------|--|--|
| PROPRIETARY NOTE: This document contains confidential information and proprietary to Rego Electronics and shall not be reproduced or disclosed to other documents or used for any purpose other than that for which was obtained without the expressed written consent of Rego Electronics. | | | |
| .X ±0.30 | APPROVED: |  http://www.rego.com.tw | TITLE:USB 2.0 with detect pin Connector PART NO:845-018-057CRL SHEET: 1 OF 2 |
| .XX ±0.20 | CHECKED: | | |
| .XXX±0.15 | DRAWN: | | |
| X' ± 3' | | | |
|  | UNITS: | SCALE: | |
| | mm | NONE | |

| | |
|-----|-----------|
| A | 10.4.2017 |
| REV | DATE |

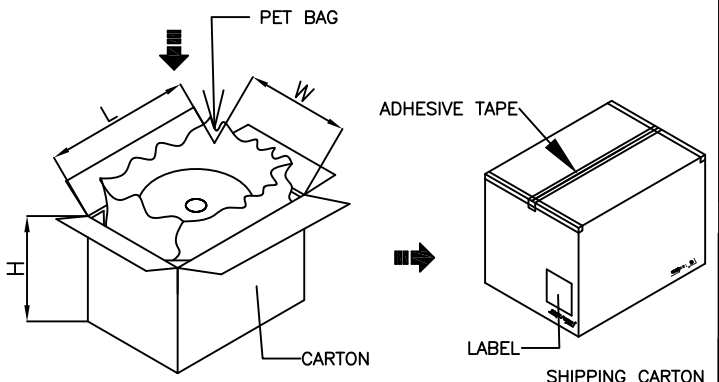


NOTE:



1. PEELING SPEED: 300mm/MINUTE
2. PEELING RESISTANCE: 20g~130g
3. PEELING ANGLE: 165° ~ 180°
4. DIMENSION:
INNER CARTON: L=350, W=350, H=280
5. QUANTITY:
300 PCS/REEL
7 PCS REEL/SHIPPING CARTON
2100 PCS/SHIPPING CARTON



TOTAL 7 REEL



PROPRIETARY NOTE:
This document contains confidential information and proprietary to Rego Electronics and shall not be reproduced or disclosed to other documents or used for any purpose other than that for which was obtained without the expressed written consent of Rego Electronics.

| | | |
|---|-----------------|--|
| .X ±0.30 | APPROVED: Chris |  http://www.rego.com.tw |
| .XX ±0.20 | CHECKED: Denny | |
| .XXX±0.15 | DRAWN: Bryan | |
| X* ± 3' | | |
|  | UNITS: mm | SCALE: NONE |
| | | TITLE: USB 2.0 with detect pin Connector |
| | | PART NO: 845-018-057CRL |
| | | SHEET: 2 OF 2 |

| | |
|-----|-----------|
| A | 10.4.2017 |
| REV | DATE |