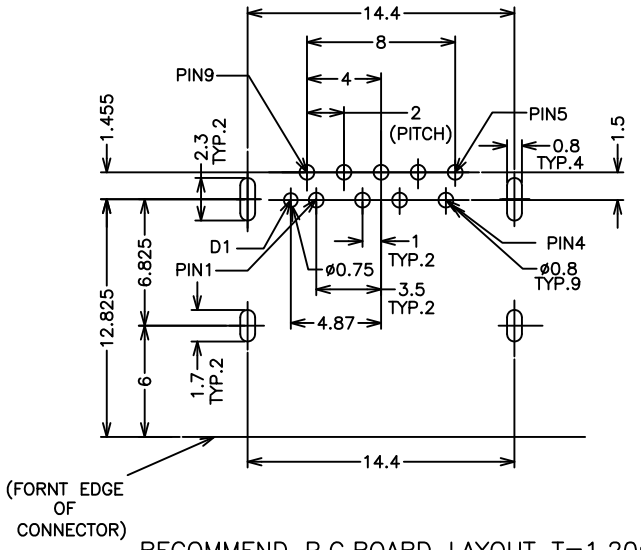
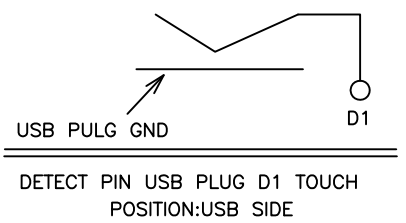


**NOTES:**

- 1.MATERIAL:  
 HOUSING:THERMOPLASTIC, HIGH TEMP, 30% G/F UL94 V-0  
 COLOR:BLACK  
 SHELL:STAINLESS STEEL  
 CONTACT:COPPER ALLOY
- 2.FINISH:  
 CONTACT:GOLD FLASH PLATING ON CONTACT AREA  
 100u" MIN. TIN PLATING ON SOLDERTAILS  
 50u" MIN. NICKEL UNDERPLATING OVER ALL  
 SHELL: 50u" MIN. NICKEL UNDERPLATING OVER ALL
- 3.PRODUCT IS HALOGEN FREE




**PIN DEFINITION**

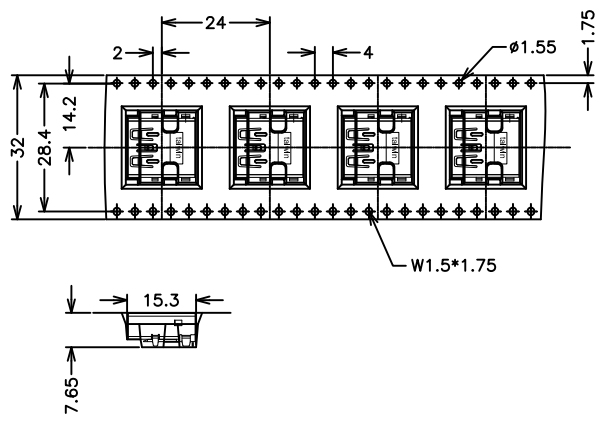
USB2.0		USB3.0	
NAME	TYPE	NAME	TYPE
P1	VBUS	P5	SSRX-
P2	D-	P6	SSRX+
P3	D+	P7	GND
P4	GND	P8	SSTX-
D1	DP	P9	SSTX+

**PROPRIETARY NOTE:**

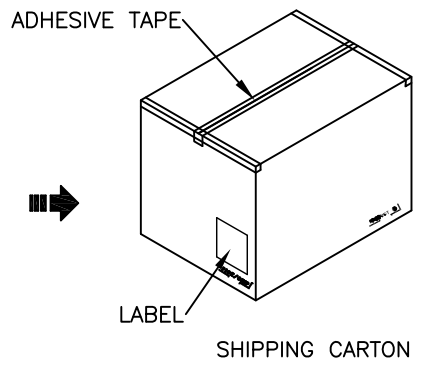
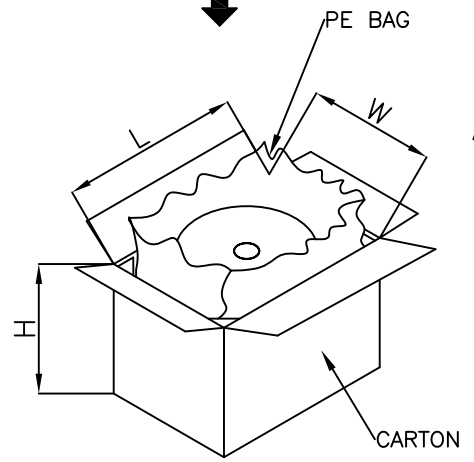
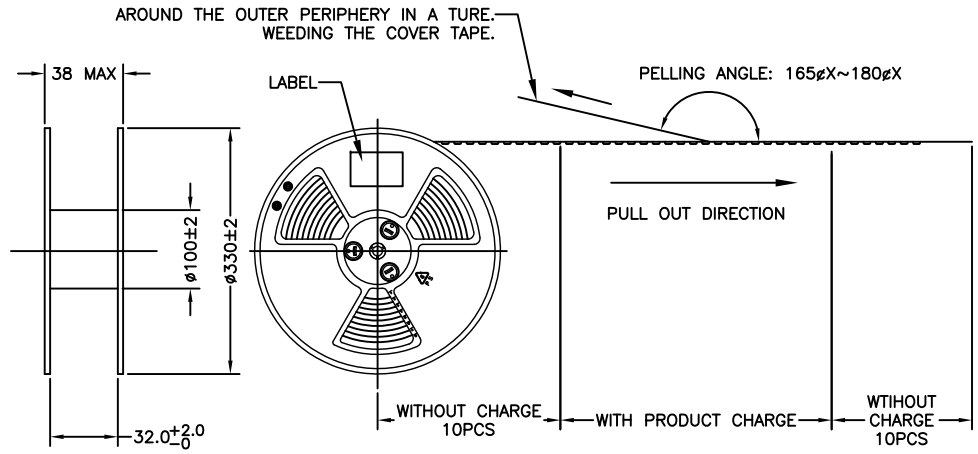
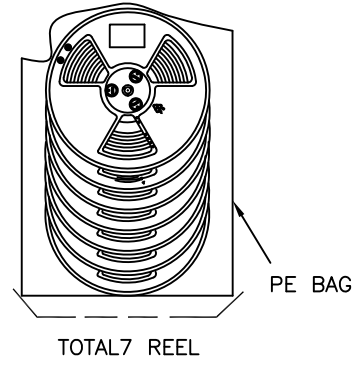
This document contains confidential information and proprietary to Rego Electronics and shall not be reproduced or disclosed to other documents or used for any purpose other than that for which was obtained without the expressed written consent of Rego Electronics.


.X ± 0.30	APPROVED: Chris	 <a href="http://www.rego.com.tw">http://www.rego.com.tw</a>
.XX ± 0.20	CHECKED: Denny	
.XXX ± 0.15	DRAWN: Bryan	
X* ± 3'		
UNITS: mm	SCALE: NONE	TITLE: USB WITH DETECT PIN CONNECTOR 10P R/A STD TYPE
		PART NO: 845-03006-107CRL
		SHEET: 1 OF 2

A	11.12.2015
REV	DATE



- NOTE:
1. PEELING SPEED: 300mm/MINUTE
  2. PEELING RESISTANCE: 20g~130g
  3. PEELING ANGLE: 165° ~ 180°
  4. DIMENSION:  
INNER CARTON: L=350, W=350, H=280
  5. QUANTITY:  
300 PCS/REEL  
7 PCS REEL/SHIPPING CARTON  
2100 PCS/SHIPPING CARTON



<p>PROPRIETARY NOTE: This document contains confidential information and proprietary to Rego Electronics and shall not be reproduced or disclosed to other documents or used for any purpose other than that for which was obtained without the expressed written consent of Rego Electronics.</p>			
.X ± 0.30	APPROVED: Chris	 <a href="http://www.rego.com.tw">http://www.rego.com.tw</a>	TITLE: USB WITH DETECT PIN CONNECTOR 10P R/A STD TYPE
.XX ± 0.20	CHECKED: Denny		
.XXX ± 0.15	DRAWN: Bryan		
X° ± 3'	UNITS: mm	SCALE: NONE	PART NO: 845-03006-107CRL
			SHEET: 2 OF 2

A	11.12.2015
REV	DATE