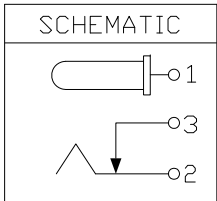
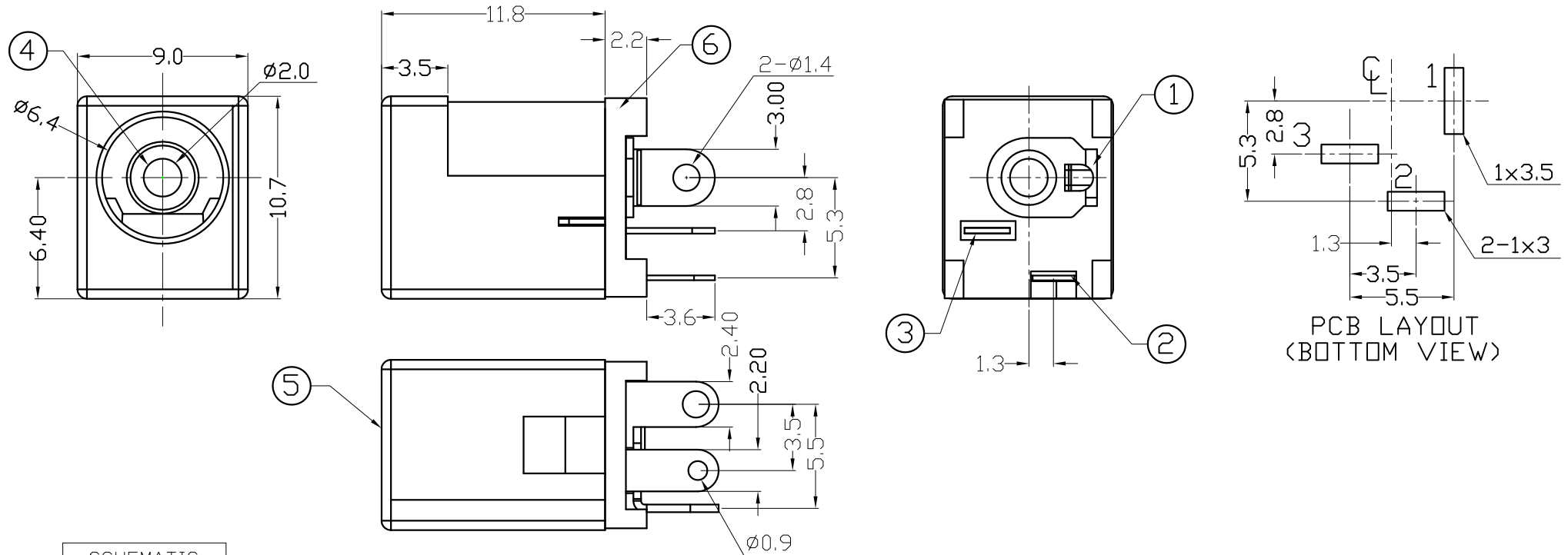


### Specification:


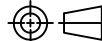
Contact Resistance: 30m Ohm Max.30m Ohm Max.  
 At AC 100mA Max .1KHz  
 Insulation Resistance: 100M Ohm Min;AT 500V DC.  
 Rated Voltage And Current: DC12V.2A Max;AC 100V.1A Max.  
 Dielectric Withstanding Voltage: 500V AC For 1 Minute.  
 Insertion Force: 3.0KG Maximum.  
 Extraction Force: 0.3KG Minimum.



NO.	NAME	MATERIAL	FINISH	Q'TY
1	PIN TERM.	BRASS T:0.4	TIN PLATED	1
2	SLEEVE TERM.	PHOS. BRONZE T:0.25	TIN PLATED	1
3	BREAK TERM.	BRASS T:0.4	TIN PLATED	1
4	CENTER PIN	BRASS ø2.0	NICKEL PLATED	1
5	HOUSING	PBT G.F.	BLACK	1
6	BOTTOM COVER	PBT G.F.	BLACK	1

**PROPRIETARY NOTE:**

This document contains confidential information and proprietary to Rego Electronics and shall not be reproduced or disclosed to other documents or used for any purpose other than that for which was obtained without the expressed written consent of Rego Electronics.

.X ± 0.30	APPROVED: Chris	 <a href="http://www.rego.com.tw">http://www.rego.com.tw</a>	
.XX ± 0.20	CHECKED: Denny		
.XXX ± 0.15	DRAWN: Bryan		
X* ± 3'		TITLE:DC POWER JACK PIN ø2.0MM VERTICAL	
	UNITS: mm	SCALE: NONE	PART NO:80204-013DL
			SHEET: 1 OF 1

A	03.15.2018
REV	DATE