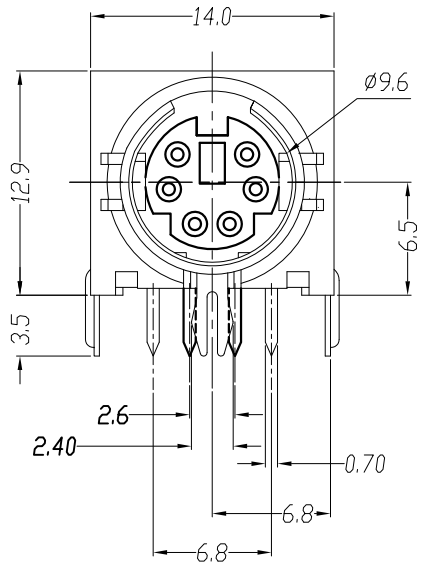
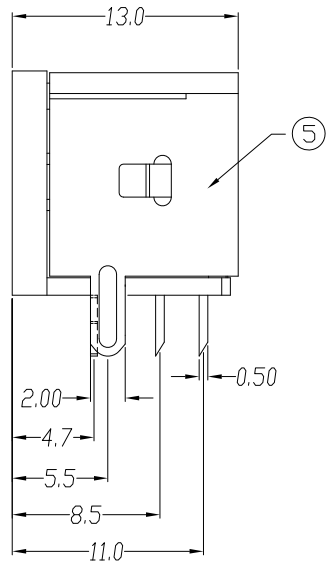


1 2 3 4 5 6 7 8 9 10

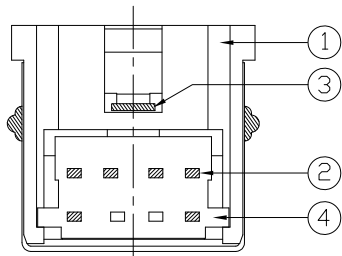
A



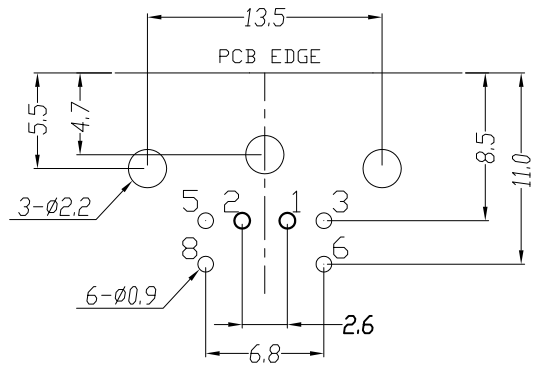
B



C



D

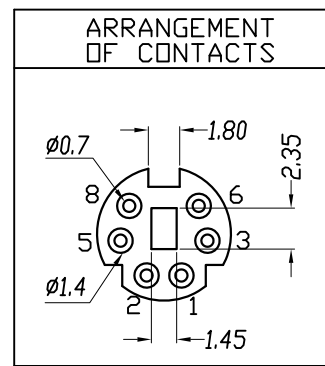


E

PCB LAYOUT  
(BOTTOM VIEW)

Specification:


Contact Resistance: 30m Ohm Max.  
 Insulation Resistance: 100M Ohm Min; AT 500V DC.  
 Rated Voltage And Current: DC12V.2A Max; AC 100V.1A Max.  
 Dielectric Withstanding Voltage: 250V AC For 1 Minute.  
 Durability (Life Test): 100 Cycles.  
 Insertion Force: 4.0KG Maximum.  
 Extraction Force: 0.9KG Minimum.



F

NO.	NAME	MATERIAL	FINISH	Q'TY	REMARK
1	HOUSING	PBT G.F.	BLACK	1	
2	CONTACT TERM.	PHOS. BRONZE T:0.2	GOLD-TIN PLATED	6	Gold:1~3u"; NI:40~60u"; TIN:120u" (100% pure Tin of lead free plating)
3	GROUND TERM.	BRASS T:0.4	TIN PLATED	1	TIN:120~200u"
4	BOTTOM COVER	PBT G.F.	BLACK	1	
5	SHELL	SPCC, T:0.3	NICKEL PLATED	1	NI:80~120u"

**PROPRIETARY NOTE:**  
 This document contains confidential information and proprietary to Rego Electronics and shall not be reproduced or disclosed to other documents or used for any purpose other than that for which was obtained without the expressed written consent of Rego Electronics.

.X ± 0.30	APPROVED: Chris	 <a href="http://www.rego.com.tw">http://www.rego.com.tw</a>
.XX ± 0.20	CHECKED: Denny	
.XXX ± 0.15	DRAWN: Bryan	
X° ± 3'		
UNITS: mm	SCALE: NONE	TITLE: MINI DIN JACK 6 POSITIONS
		PART NO: 80203-508D6AL
		SHEET: 1 OF 1

A	03.15.2016
REV	DATE

1 2 3 4 5 6 7 8 9 10