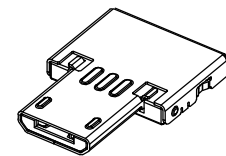
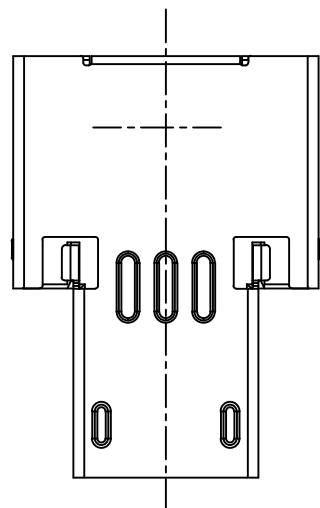
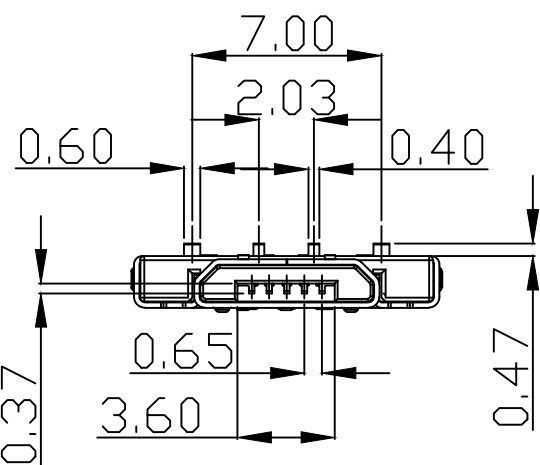
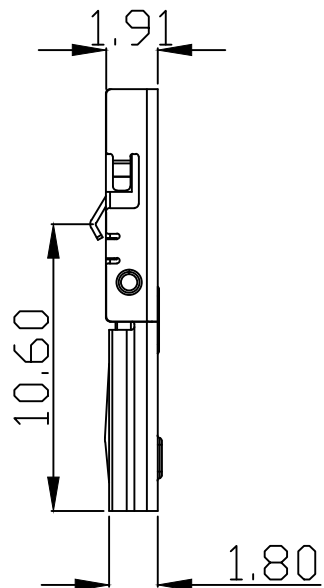
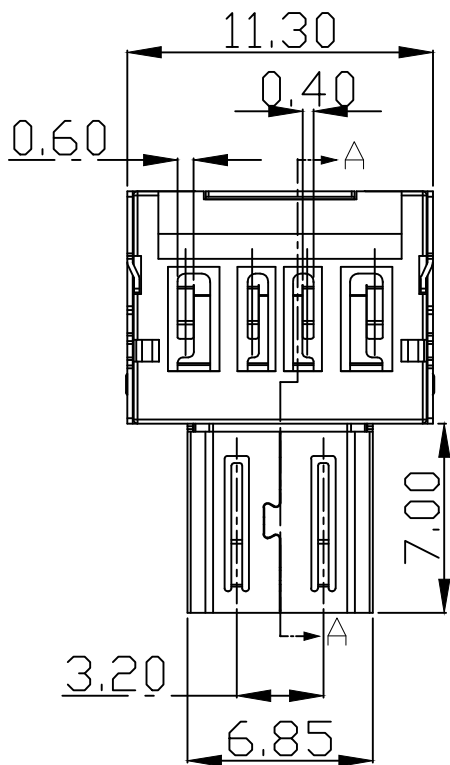



NOTES:

- 1.MATERIAL:  
HOUSING:HIGH TEMPERATURE THERMOPLASTIC,UL94 V-0,  
COLOR:SEE TABLE  
CONTACT:COPPER ALLOY T=0.20±0.01mm  
SHELL:SUS 301-H T=0.20±0.01mm
- 2.PLATING:  
SHELL: OVER 50u" MIN CU UNDERPLATE:  
50" NICKEL ON THE ALL SURFACE.  
CONTACT:100U"MIN MISTY TIN PLATING ON SOLDER TAILS  
50U"MIN NICKEL UNDERPLATING OVER ALL GOLD.  
GOLD PLATED : G/F
- 3.ELECTRONICAL SPECIFICATION:  
CONTACT CURRENT RATING:1.8A FOR VBUS AND GND CONTACTS.  
0.25A FOR ALL OTHERS CONTACTS.  
CONTACT RESISTANCE:30 MILLIOHMS MAX.  
INSULATION RESISTANCE:100 MEGOHMS MIN.  
DIELECTRIC WITHSTANDING VOLTAGE:100V AC.
- 4.MECHANICAL CHARACTERISTICS:  
INSERTION FORCE:3.57kg.(35N) MAX  
EXTRACTION FORCE:1.02kg.(10N) MIN  
DURABILITY:5000 CYCLES MIN
- 5.OPERATING TEMPERATURE:-40°C~+85°C



PROPRIETARY NOTE: This document contains confidential information and proprietary to Rego Electronics and shall not be reproduced or disclosed to other documents or used for any purpose other than that for which was obtained without the expressed written consent of Rego Electronics.		
.X ± 0.30	APPROVED: Chris	 <a href="http://www.rego.com.tw">http://www.rego.com.tw</a>
.XX ± 0.20	CHECKED: Denny	
.XXX ± 0.15	DRAWN: Bryan	TITLE:USB Combo Adapter support OTG
X* ± 3'	UNITS: mm	SCALE: NONE
PART NO: 8348029-00201		SHEET: 1 OF 1

A	RELEASE	07.02.2013
REV	DESCRIPTION	DATE

AUTODESK

AUTODESK